

## S300 STEAM SHOWER PANEL



Shower with  
3water outlets



Steam  
(4.5KW&6KW)



Music



Head shower and  
body jet angle  
adjustable



Steam TEMP.  
adjustable



Steam time  
adjustable

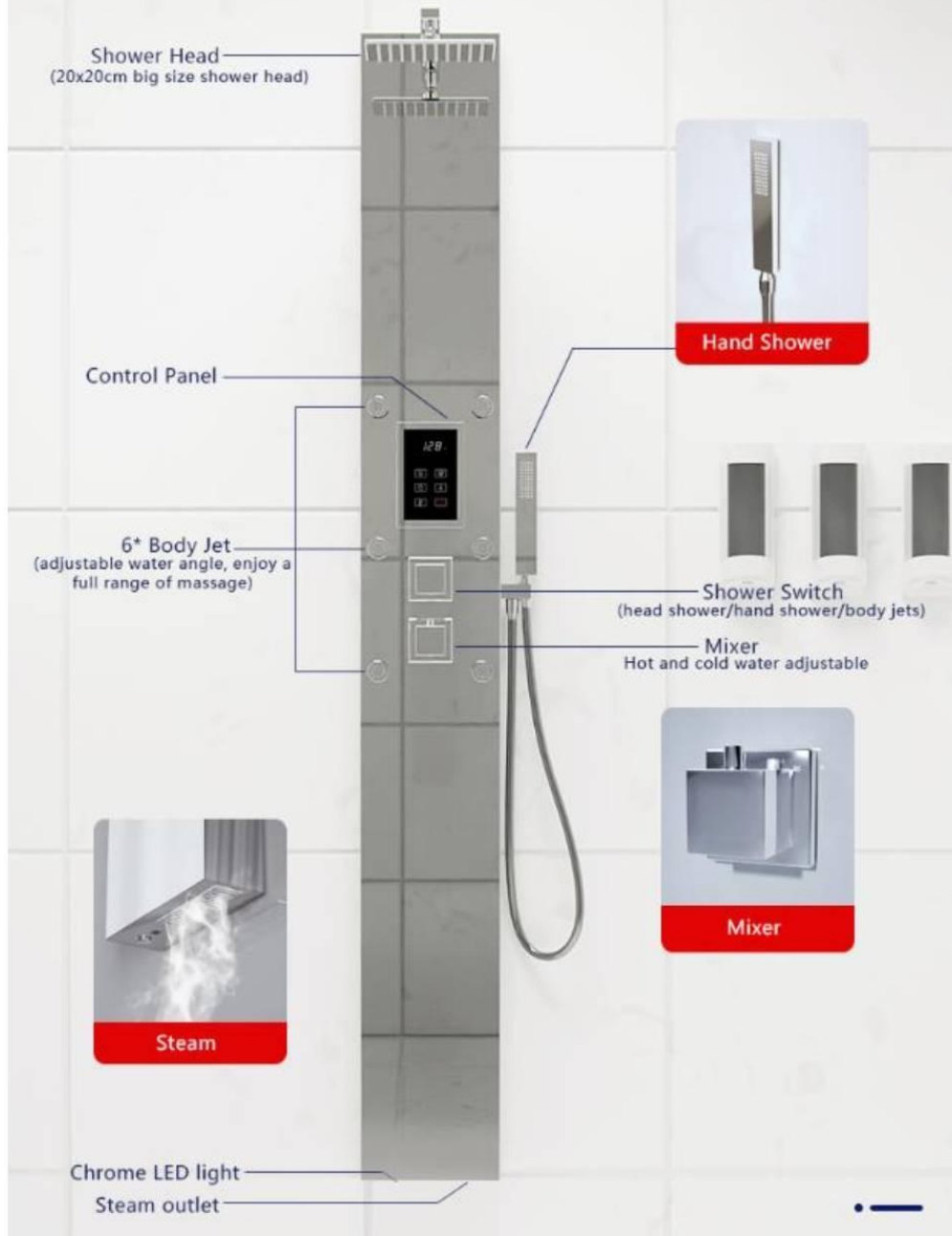


Phone receive



Control panel

## Detailed function

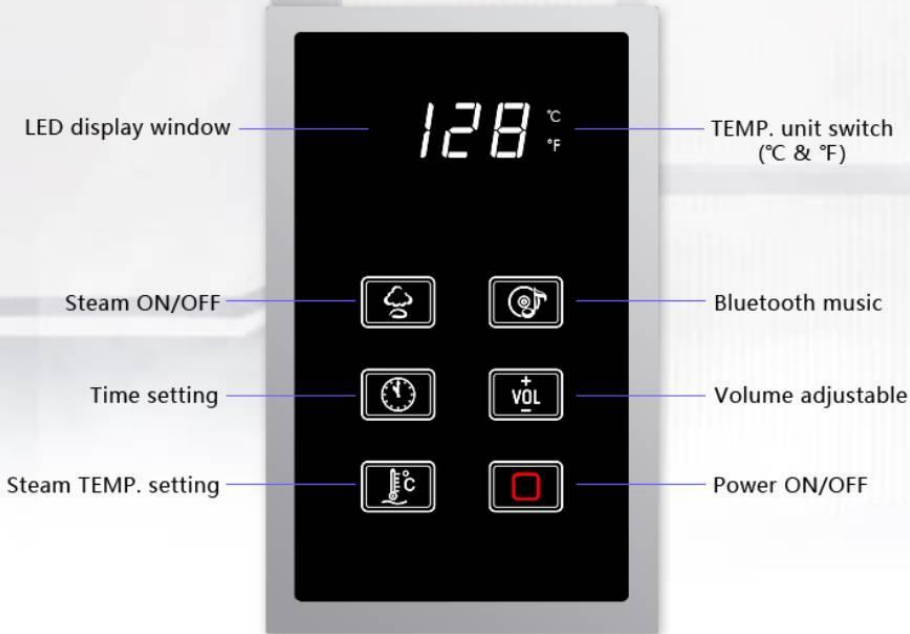




**Head shower (Angle can be adjustable)**

**Take bath after steam bath**

You will be satisfied with the noticeable effects on pain relief, weight control, skin stimulation and stress reduction due to an increased blood circulation



**Control Panel**



Steam TEMP. adjustable



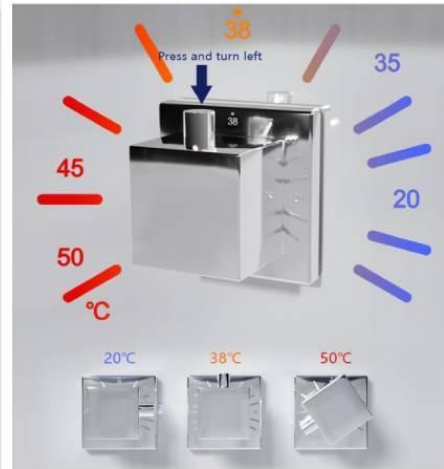
Steam time adjustable

**Body jets can be adjustable with 360degree.**





**Shower switch**



**Comfortable Thermostat**

Safety lock, pressing button and turn it left to increase the water TEMP. and



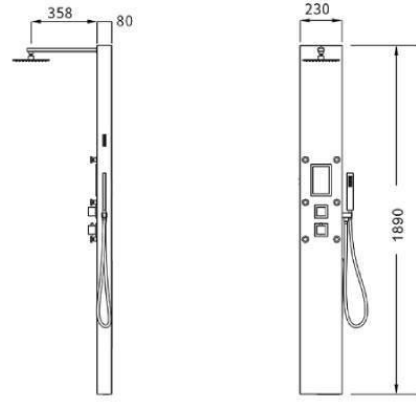
**Hand Shower head**

40pcs water outlet nozzle,  
Anti - blocking silican gel (ROHS  
standard),

## SHOWER PANEL

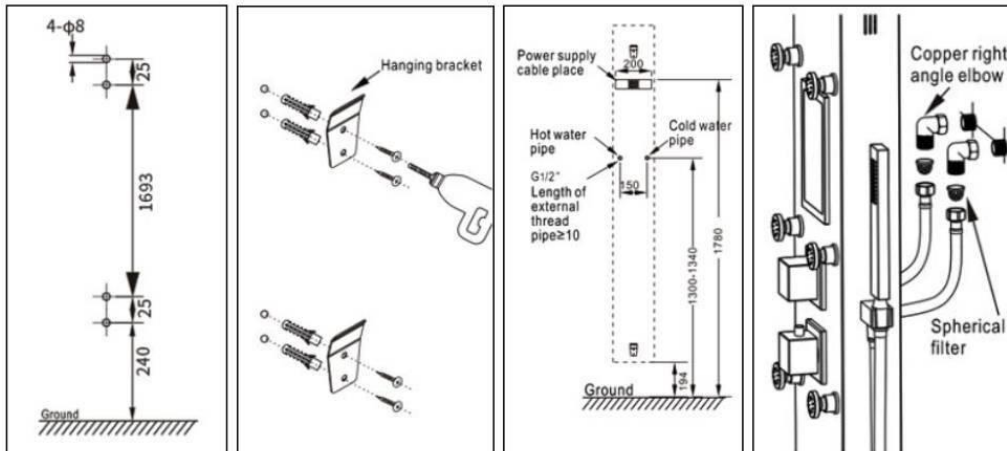
**Materials:** SUS304 Brass Thermostat valve

**Function:** Head shower, hand shower, chroma light



(mm)

## INSTALLATION



1. Drill four mounting holes as shown in the drawing.
2. Insert the rubber plug, lock and the attached installation hanging bracket with screws.
3. Open hole for power supply cable and cold water/hot water inlet according to the size and position in the drawing.
4. Connect the water inlet pipe with steam panel. Connect the power supply cable with steam panel well.
5. Connect the water drain pipe with steam panel.
6. Hang the steam shower panel on the wall with

