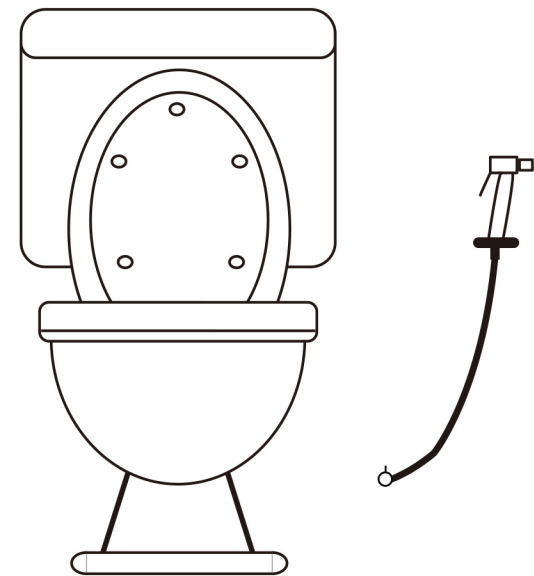


Bidet Toilet Sprayer User Manual



Thanks for choosing us! Please read this manual carefully before use and keep it for further reference :)

Precautions

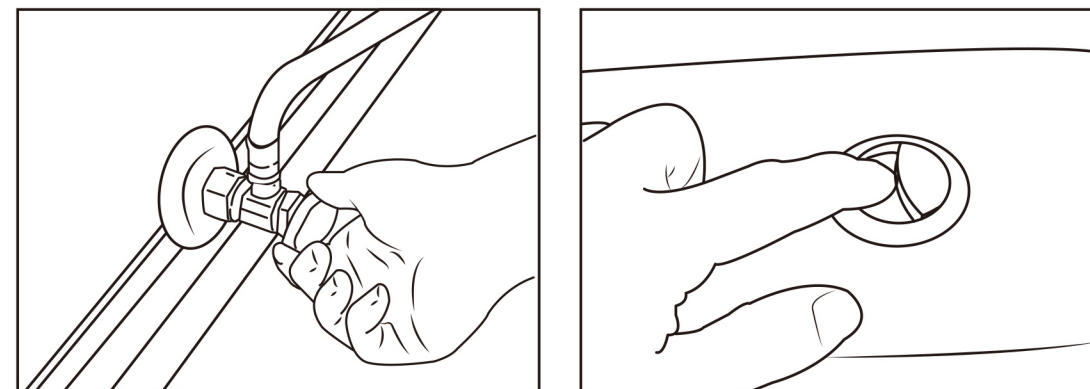
Before installation, please close the sluice valve. For the tightness of the system, please wrap the external thread with TPE Tape and place the rubber pad at joints of the hose. The product can withstand the maximum water pressure of 8kg.

Package Contents

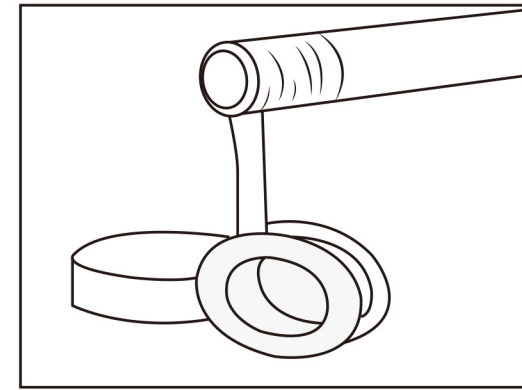
- 1* Handle sprayer
- 1* Angle valve
- 1* ABS hose
- 1* Cover
- 1* hook

Steps of Installation:

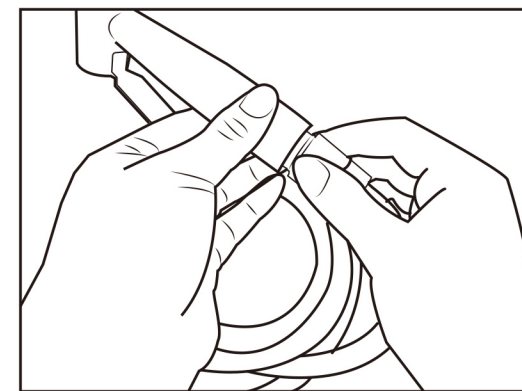
1. Please close the sluice valve.



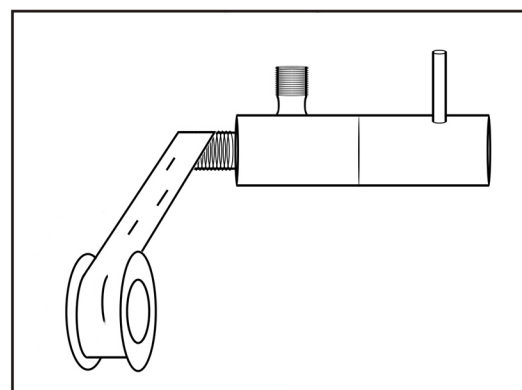
2. Wrap the thread with TPE Tape.



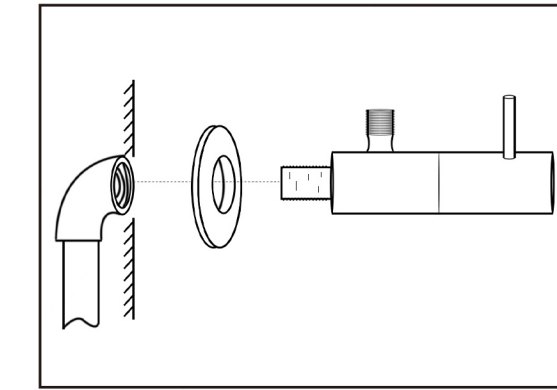
3. Unscrew the protection cover of the hose, make sure the rubber washer is secure in the nut, and connect the toilet sprayer.



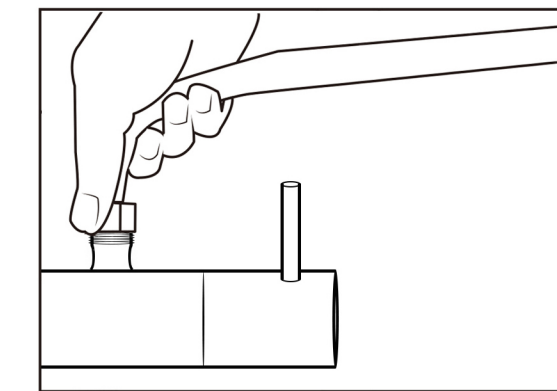
4. Wrap the angle valve with PTFE tape to prevent leakage.



5. Connect the angle valve to the water supply pipe.



6. Make sure that the rubber pad is firmly fixed inside the hose and then connect the hose to the angle valve.



7. Install the handle sprayer, ABS hose and hook.

