

# THERMOSTATIC SHOWER SERIES

## INSTALLATION GUIDE

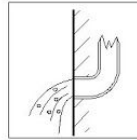
## CONTENT

Installation condition	Page1
Thermostatic control valve installation solution	Page2
Tone optical acoustic controller	Page3
Thermostatic valve installation	Page4
Model A、 B、 C shower head list	Page5
Power/water pipe-layout	Page6
Holes on ceiling	Page6
Shower head intelligent exploded view	Page7
Shower head installation fixed frame	Page7
Layout for power	Page8
Layout for water pipe	Page8
Install shower head	Page8
Connect the water inlet pipe	Page8
Connect LED(signal line)	Page9
Testing the water	Page9
Shower installation	Page9
Fix the decorative panel of shower	Page9
Model C shower head installation	Page10-11
4in body jet installation	Page12
Water spout installation	Page13
Install the hand shower holder	Page13
Body jet installation	Page13
Care and maintenance	Page14

## Installation Condition

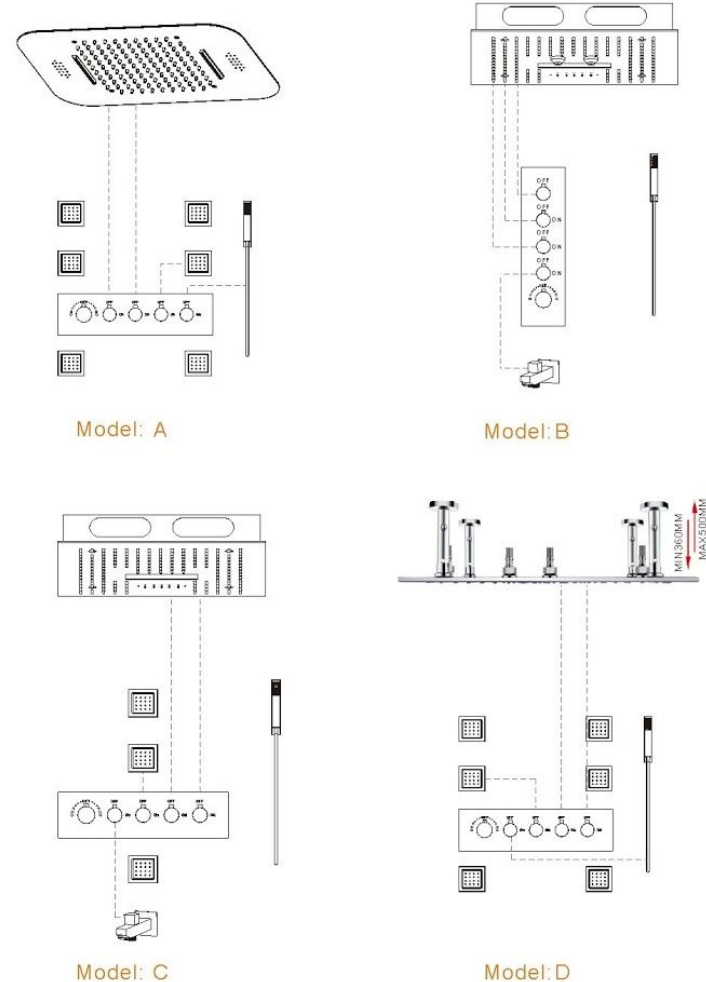


1. Refer to the 《Standard Part List》 when unpacking , check all parts available .
2. Do not disassemble mixer body by yourself.
3. Connect inlet hoses to supply valves.
4. Make sure inlet pipes and supply valves have been installed and cleaned, also ensure no impurities in pipeline.
5. After installation , check all joints for leakages.
6. Suggest don't fit the faucet in the severely corrosive environments.



## ◆ Thermostatic control valve installation solution

Chrome/Black/Gold/Brushed Gold/Nickel Brush



Showerhead installation diagrammatic drawing, you can also change the position of the water pipes connection according to your preferences. You only need to adjust the corresponding handles.

### ◆ Tone optical acoustic controller



Mood music



Ten key controller



Eight-button controller



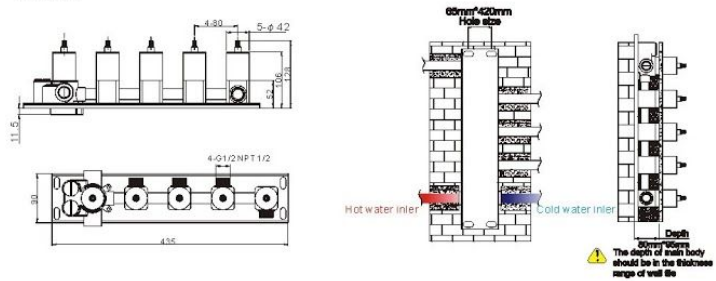
Wifi controller



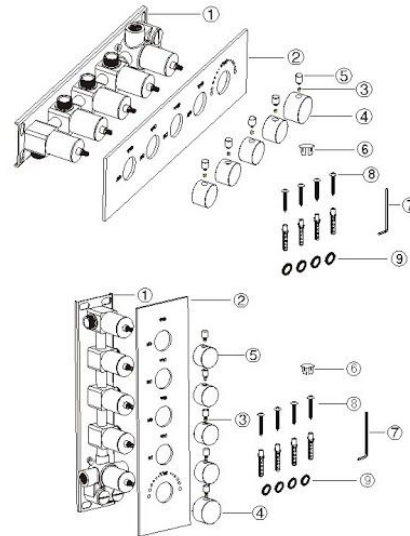
Touch controller

### ◆ Thermostatic valve installation

Unit:mm



According to the basic size of the embedded box, use a special tool to drill the main hole on the solid wall. As shown in the figure, consideration should be given to the depth of the wall and the bottom base after final treatment. Take out the the spirit level to install the embedded box and test whether the installation is parallel.



NO	Name	Qty
1	Embedded valve box	1
2	Panel	1
3	Handle screw	1
4	Handle	5
5	Handle nail	5
6	Handle cup	1
7	Shunt switch	1
8	Valve box screw	4
9	Metal gaske	4

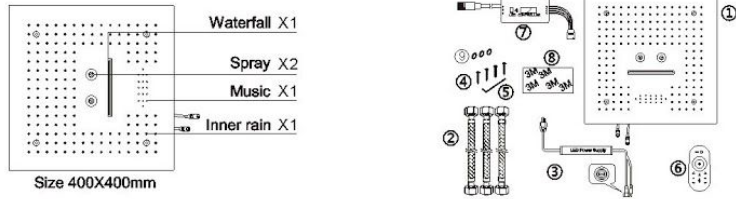
Use ⑧Valve box screw and ⑨Metal gaske to fixed ①Embedded valve box on the wall and then install ②Panel④Hand③Hand screw⑤Hand nail⑥Cup by turns.

### ◆ Model:A Shower head List



NO	Part name	Qty	NO	Part name	Qty
1	Shower head body	1	6	Controller	1
2	Corrugated pipe	2	7	Wifi controller	1
3	Water proof power supply	1	8	Wifi controller tape	1
4	Screw	8	9	Spare rubber washer	2
5	Wrench	1			

### ◆ Model:B Shower head List



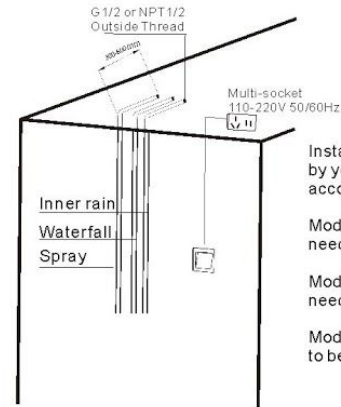
NO	Part name	Qty	NO	Part name	Qty
1	Shower head body	1	6	Controller	1
2	Corrugated pipe	3	7	Wifi controller	1
3	Water proof power supply	1	8	Wifi controller tape	1
4	Screw	8	9	Spare rubber washer	3
5	Wrench	1			

### ◆ Model:C Shower head List



NO	Part name	Qty	NO	Part name	Qty
1	Shower head body	1	6	Controller	1
2	Corrugated pipe	2	7	Wifi controller	1
3	Water proof power supply	1	8	Wifi controller tape	1
4	Screw	8	9	Spare rubber washer	2
5	Wrench	1			

### ◆ Power/water pipe-layout



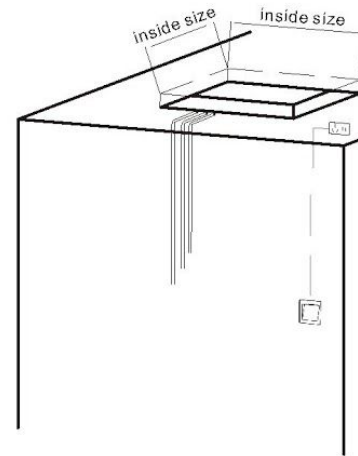
Install the power switch in the appropriate position by yourself Water pipes should be arranged according to the showerhead function

Model: A Shower head, two inlet pipes need to be laid out, Waterfall and Inner rain;

Model: B Shower head, three inlet pipes need to be laid out, Waterfall and Inner rain and Spray;

Model: C Shower head, two inlet pipes need to be laid out, Waterfall and Inner rain.

### ◆ Holes on ceiling

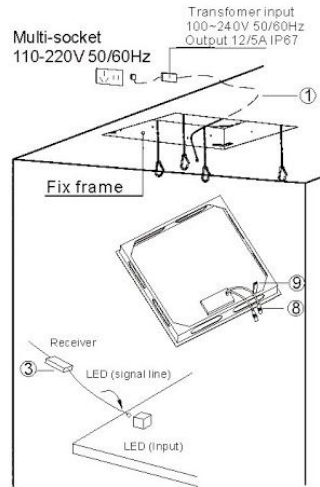


Model: A Shower head  
Shower hole inside size 535x335mm

Model: B Shower head  
Shower hole inside size 385x385mm

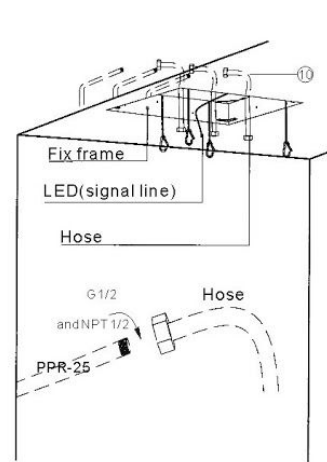
Model: C Shower head  
Shower hole inside size 385x385mm

### ◆ Layout for power



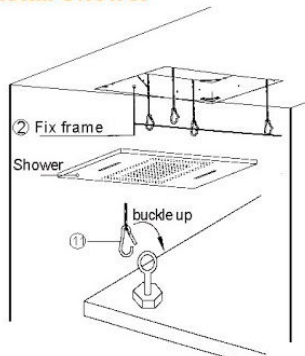
Connect ① LED Power Supply with ③ WiFi Receiver Connector and ③ Shower Music Connector respectively; ③ The Shower music connector has two connectors. If you have only one music, only one needs to be connected and the other one does not need to be connected. Finally, connect the male connector of ③ WiFi receiver with the female connector of ③ Shower head LED input. (Attention: the male connector is matched to the female connector each other, do not connect wrongly, otherwise it will cause damage to the receiver).

### ◆ Layout for water pipe



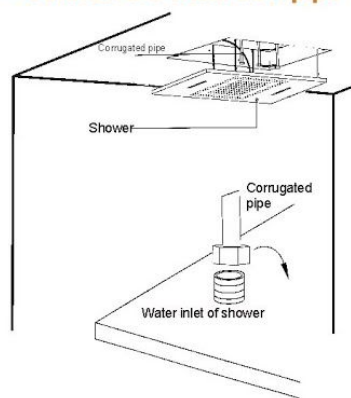
Connect one end of the three ⑩ corrugated pipes with the embedded PPR water pipe respectively, the other end connect with the three water

### ◆ Install Shower

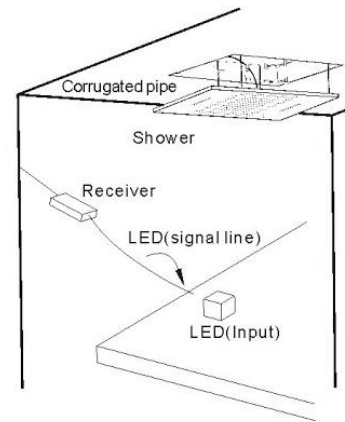


Hook ① Wires with a hook on ② Stainless steel fix frame, used to assist in easy installation of showerhead;

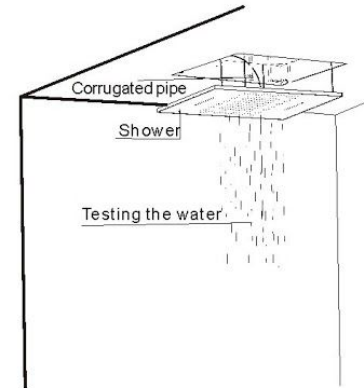
### ◆ Connect the water inlet pipe



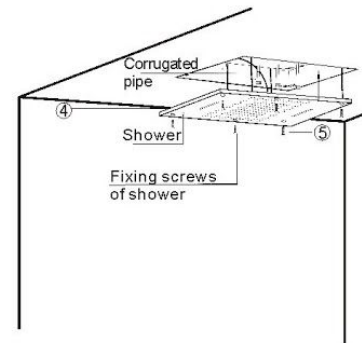
### ◆ Connect LED(signal line)



### ◆ Testing the water

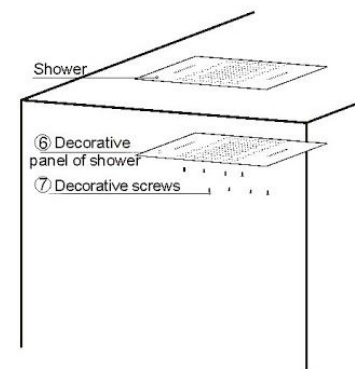


### ◆ Shower installation



⑤ Shower fixing screws are fitted with ④ Shower head.

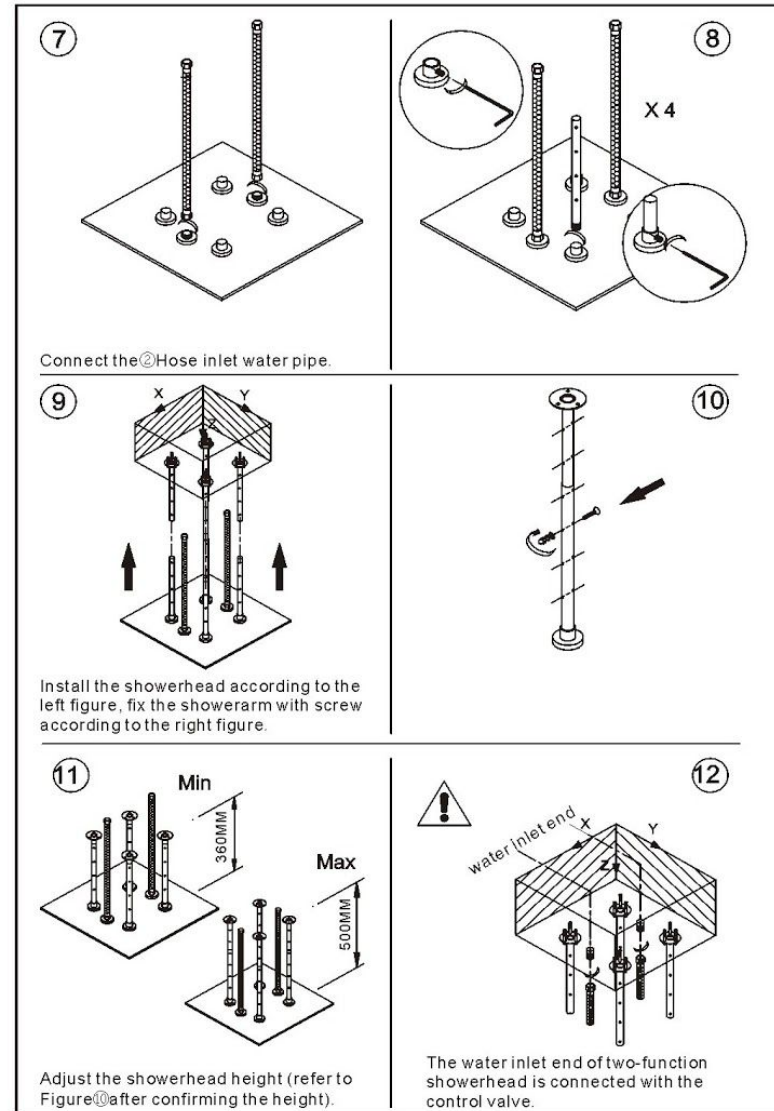
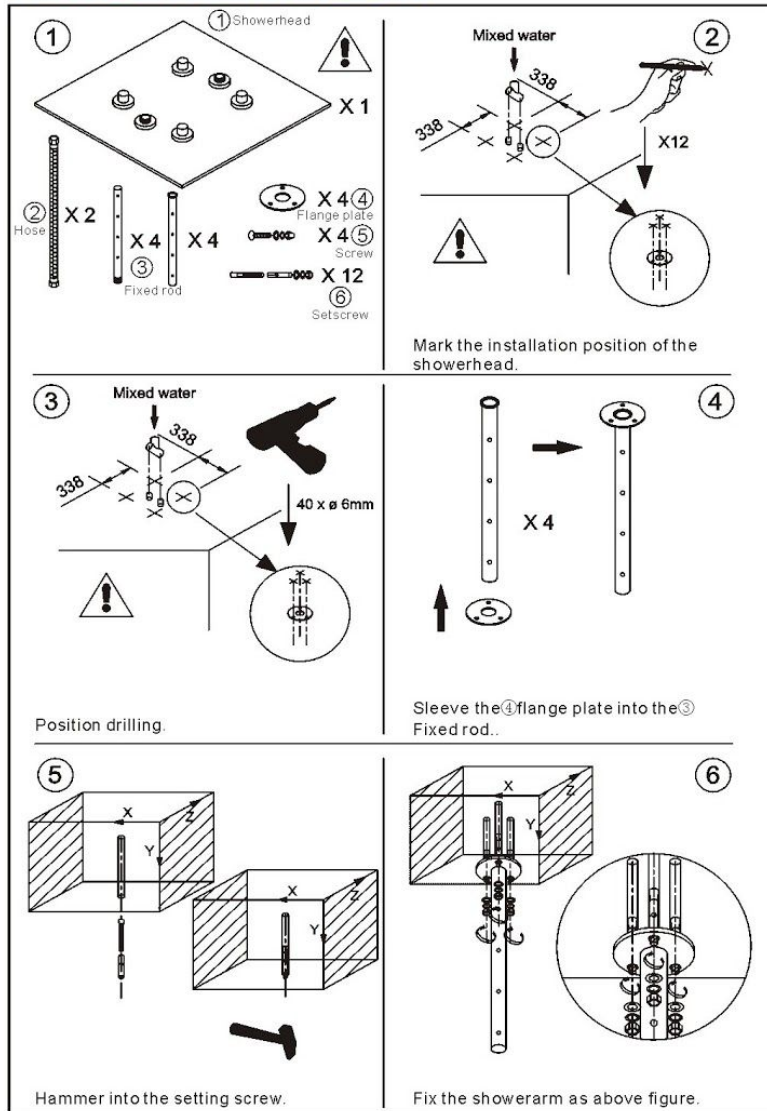
### ◆ Fix the decorative panel of shower



⑦ Decorative screws are fitted with ⑥ Decorative shower panel.

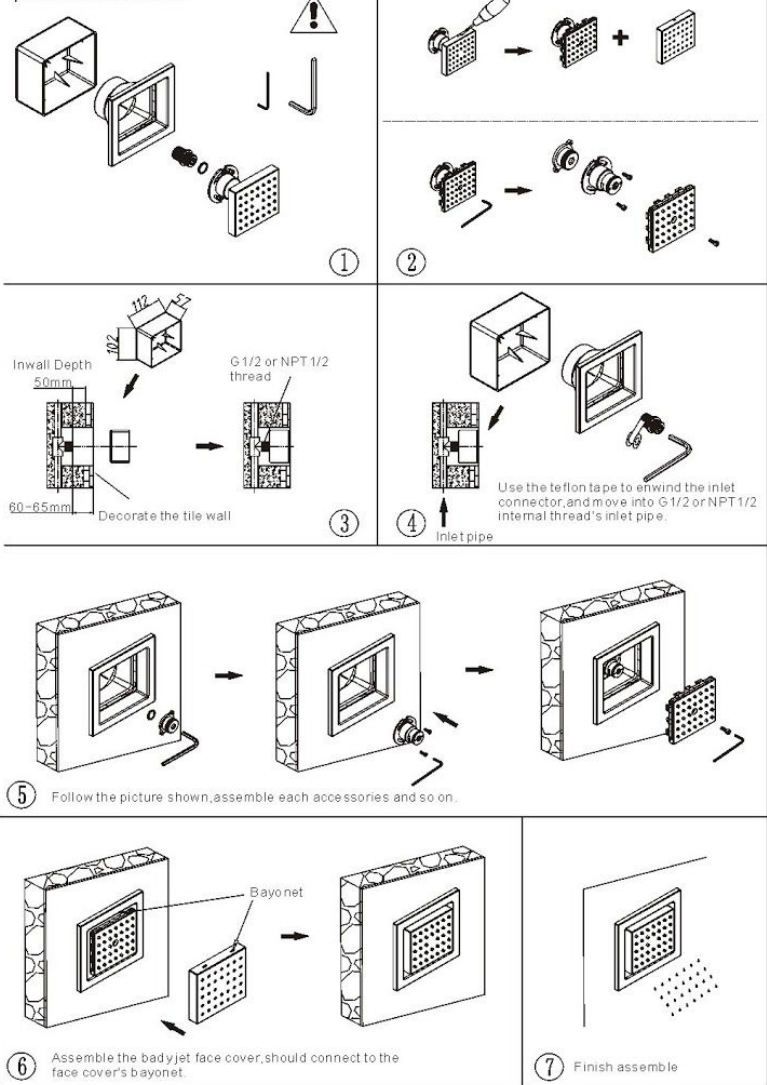


◆ Model D shower head installation

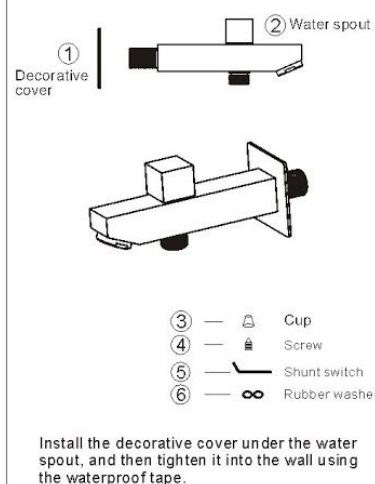


### ◆ 4in body jet installation

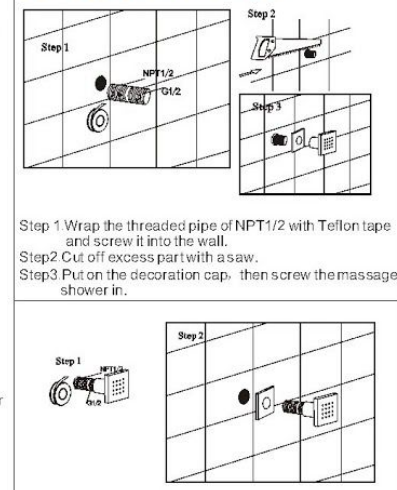
product list as below:



### ◆ Water spout installation



### ◆ Body jet installation



### ◆ Install the hand shower holder

