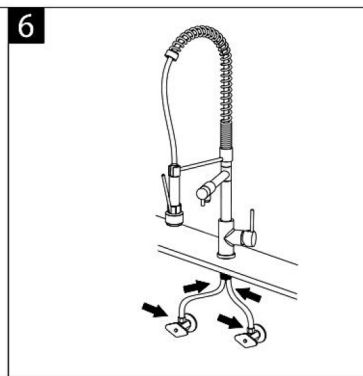
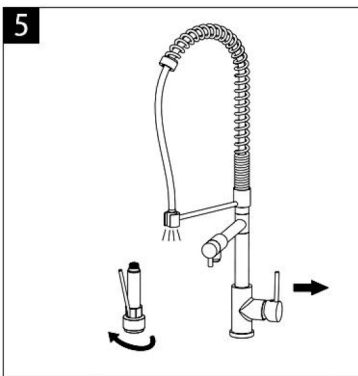
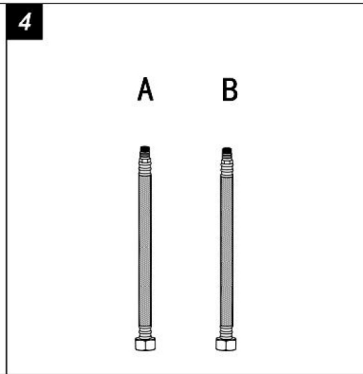
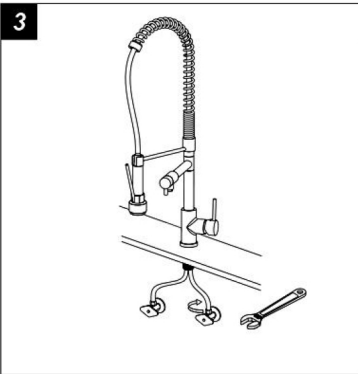
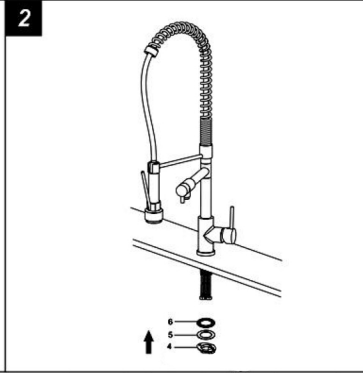
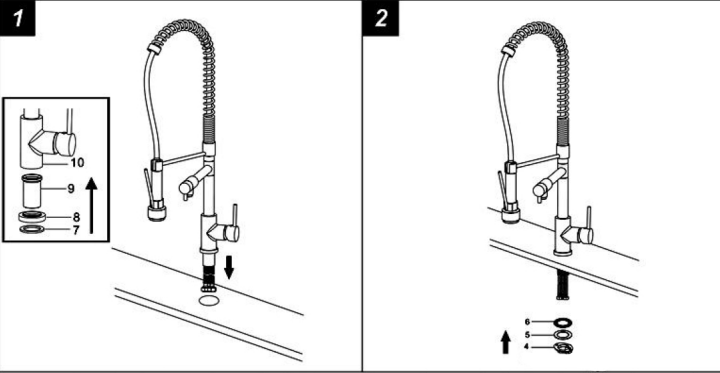




Wonderland America

Model No.:

# INSTALLATION STEP



## FAUCET INSTALLATION:

Before installation, flush plumbing pipes to clear debris, and then turn off main water supply under sink.

Place the handles in proper position and put the hot direction on the left like figure 3. Finally try to turn on and off the tap.

If the installation hose is too long, it should be folded like figure 6. Kinked hose may cause water damage.

## FLUSHING

After finished , remove the faucet aerator and let water run for at least 15 seconds.

Then re-install the aerator.

THIS WARRANTY IS THE ONLY EXPRESS WARRANTY MADE BY Wonderland America. ANY CLAIMS MADE UNDER THIS WARRANTY MUST BE MADE DURING THE ONE YEAR PERIOD REFERRED TO ABOVE. ANY IMPLIED WARRANTIES, INCLUDING THE IMPLIED WARRANTY OF MERCHANTABILITY OR FITNESS FOR A PARTICULAR PURPOSE, ARE LIMITED TO THE DURATION OF THIS WARRANTY. Wonderland America AND/OR SELLER DISCLAIM ANY LIABILITY FOR SPECIAL, INCIDENTAL OR CONSEQUENTIAL DAMAGES.

The above limitations or exclusions apply to you UNLESS the law of the places that you purchased Wonderland America product prohibit such limitations or exclusions.

This warranty does not extend to any damage to this product due to misuse, abuse, negligence, accident , improper installation, any use violating the instructions furnished by Wonderland America or any use of replacement parts other than genuine Wonderland America parts. If you ever use cleaners containing abrasive cleansers , ammonia, bleach, acids, waxes, alcohol, solvents or other products not recommended on Wonderland America product, any right you may have under this warranty will be forfeited.