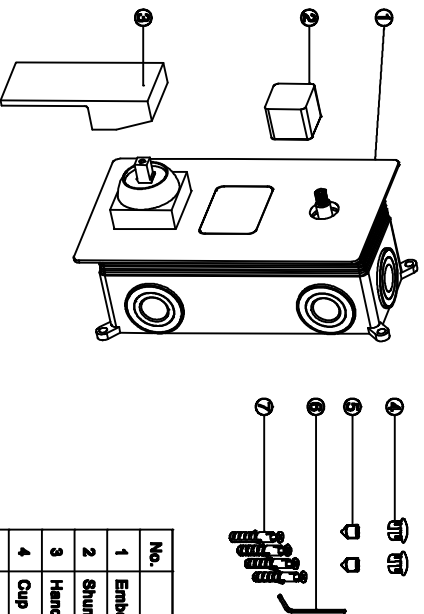
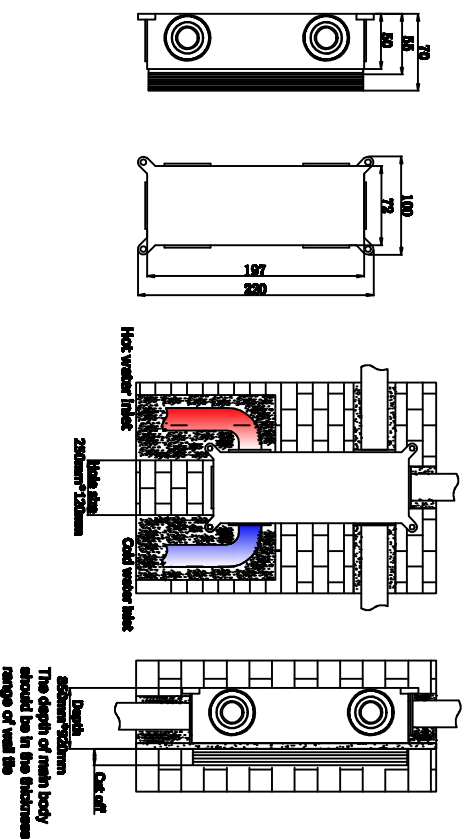


◇ Digital display main body installation instruction

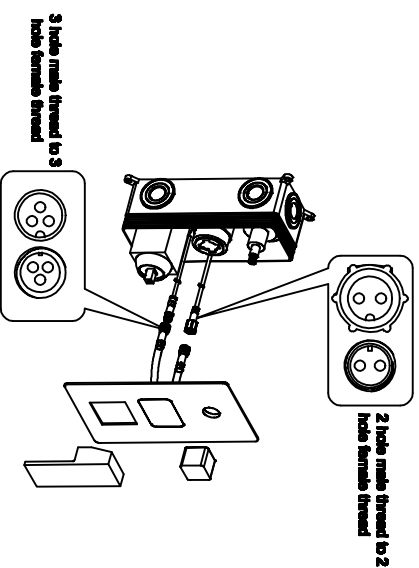


| No. | Name | Qty |
|-----|--------------------|-----|
| 1 | Embedded valve box | 1 |
| 2 | Shunt valve | 1 |
| 3 | Handle | 1 |
| 4 | Cup | 2 |
| 5 | Screw | 2 |
| 6 | Wrench | 1 |
| 7 | Valve box Screw | 4 |



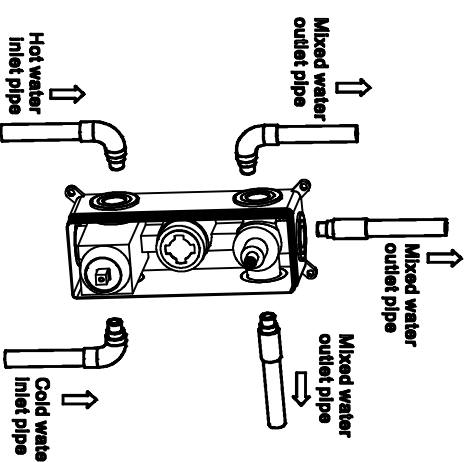
According to the basic data of the embedded box, use a special tool to drill the mesh hole on the end wall. As shown in the figure, consideration should be given to the depth of the wall and the bottom beam after final treatment. Take out the top right level to install the embedded box and test whether the installation is possible.

◇ Digital display main body installation instruction



Carefully take out panel 8 from body ① and unplug the display cable. Don't scratch the panel and pins it carefully.

As shown in the figure, ① the embedded box; fix on the wall with ② screws, hole size (250mm*120mm)*Depth (800mm*200mm), and then connect the two wires of the digital display. Attention: 2-hole male thread to 2-hole female thread, 3-hole male thread to 3-hole female thread, the direction should be correct, otherwise it will cause motor damage and do not display, and then install panel 8, next install the ③ shunt valve, tighten it with ④ screws, and install ⑤ water distribution caps. Finally, install the ⑥ handle, tighten it with ⑦ screws, and install ⑧ water diverter cover.



As shown in the figure, the inlet and outlet pipes are embedded. Pay attention to the correct installation direction of the embedded box. Be sure to mark the top of the bottle upward and the vertical direction of the embedded box. The lower left connector is connected to the hot water pipe, the upper left connector is connected to the top nozzle, and the upper right connector is connected to the hand pipe.

Attention! Do not disassemble the product without professional guidance. Pictures are for reference only. All spare parts are subject to the actual product. When the water pressure is lower than 2bar and greater than 6bar, the digital display may not work.