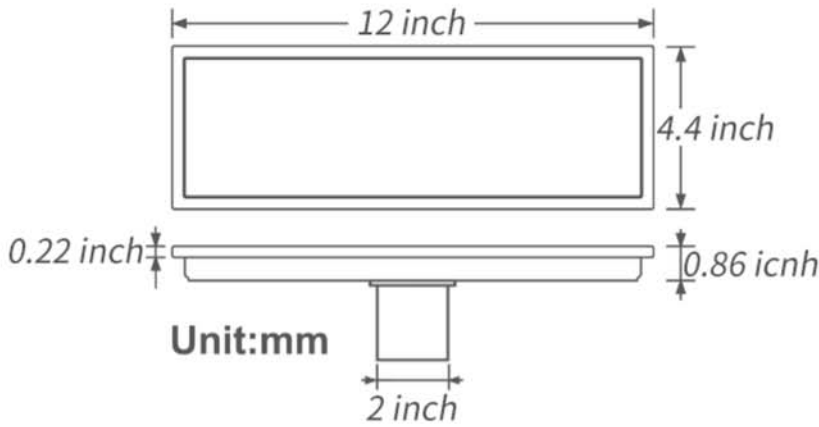
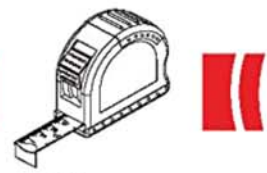
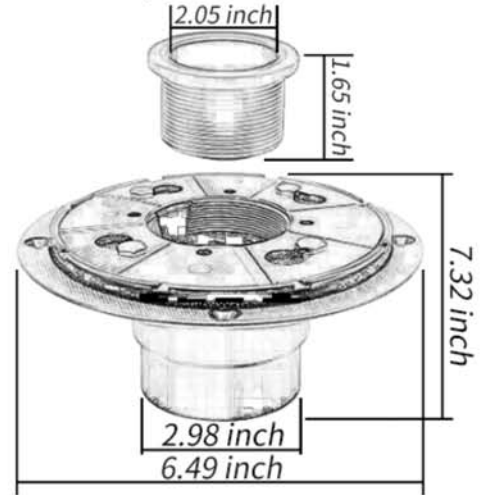


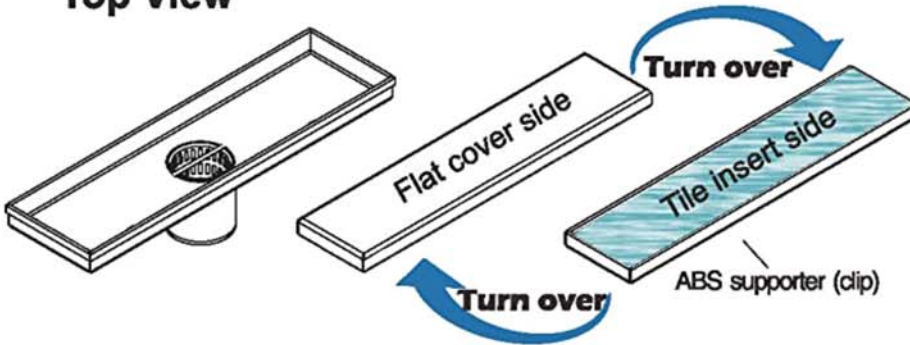
Important size of 12 inch shower drain - 2 in 1 grate



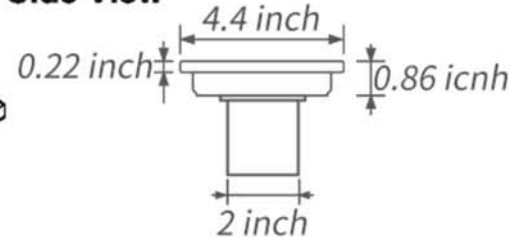
Outlet Pipe Size



Top View



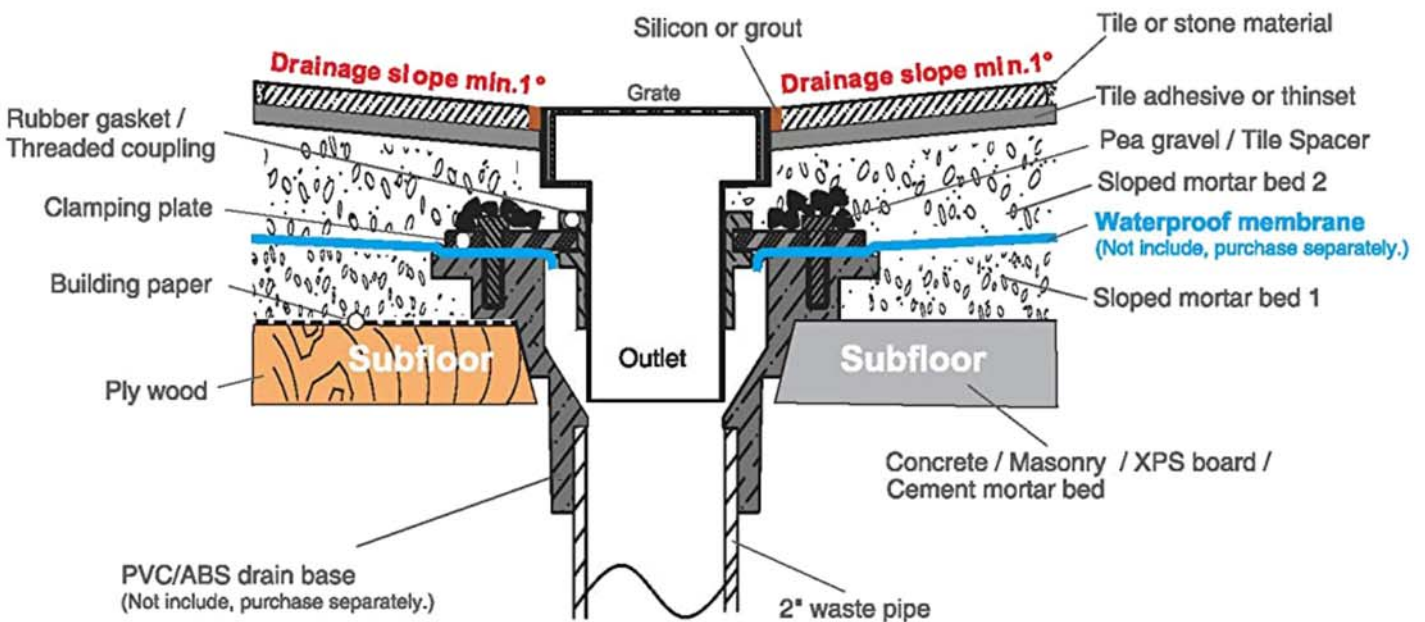
Side View



- Double side finishing grate give you two possible style - flat and tile-insert, just turn over and reinstall the supporters.
- Wider drain body have higher outlet flow rate than other shower drain.
- Please measure and cut the inserted tile before complete the installation.

**Right Size Right Installation
Save Money Save Time**

Typical Installation - 2 layers of sloped mortar bed



- Please take into account the size of drain base when you install shower drain against the wall.