

Instruction Manual

Basin faucet&Bathtub faucet System



CONTENT

1:Installation Condition	1page
2:Basin Faucet Standard Part List	2page
3:Hose Connection Travel	3page
4:Basin Faucet Installation Step 1	4page
5:Basin Faucet Installation Step 2	5page
6:Basin Faucet Application Lnstruction	6page

Installation Condition



1.Refer to the 《Standard Part List》 when unpacking ,
check all parts available .

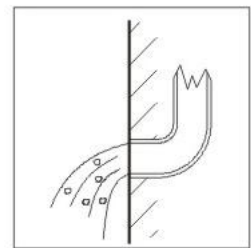
2.Do not disassemble mixer body by yourself.

3.Connect inlet hoses to supply valves.

4.Make sure inlet pipes and supply valves have been
installed and cleaned, also ensure no impurities in
pipeline.

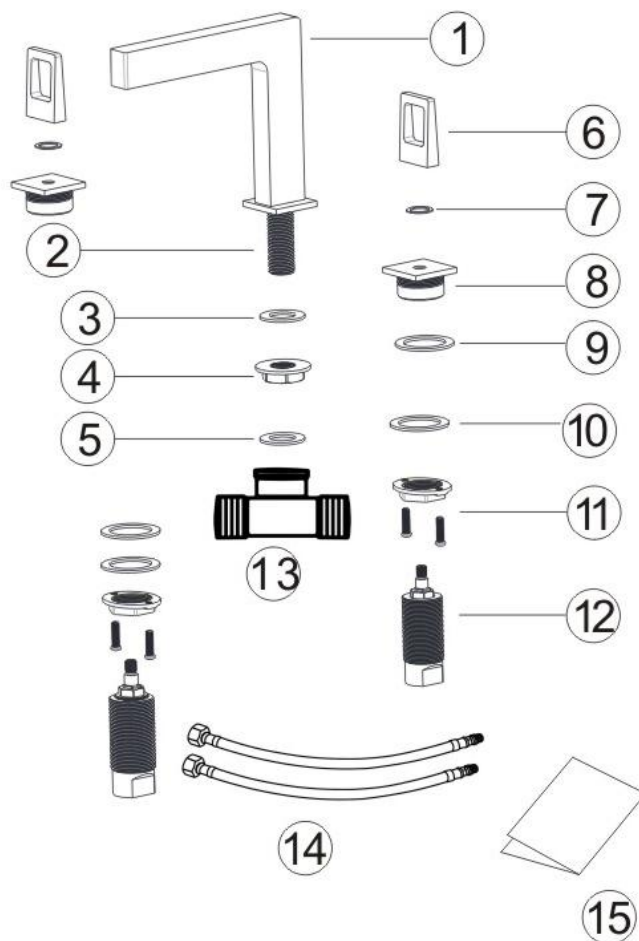
5.After installation , check all joints for leakages.

6.Suggest don't fit the faucet in the severely corrosive
environments.

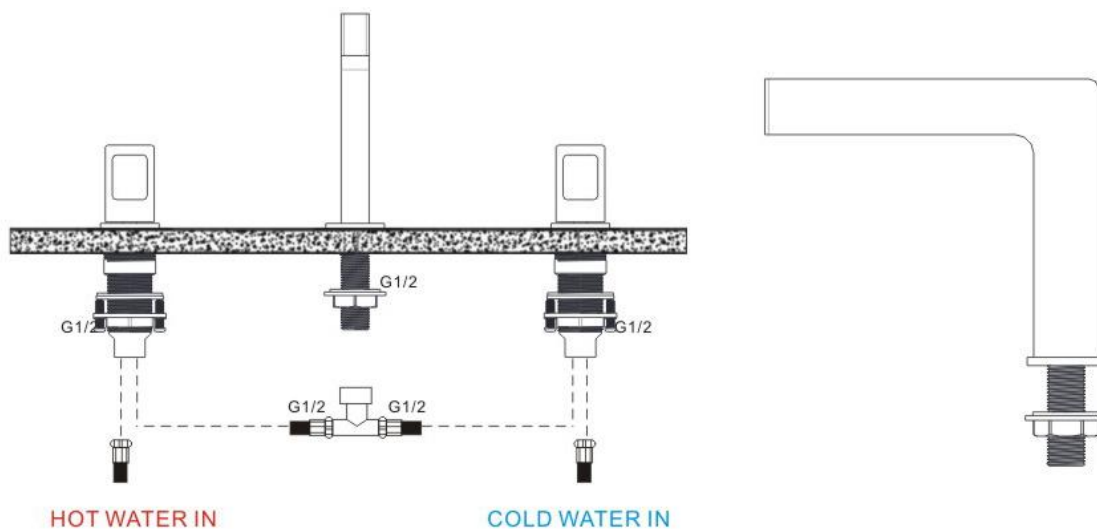


Basin Faucet Standard Part List

NO	Part Name	Quantity
1	Faucet Body	1
2	Brass Part	1
3	Faucet Body Gasket	1
4	Mounting Nut	1
5	Tee Gasket	1
6	Handle	2
7	White color protective rubber ring	2
8	Decorate Seat	2
9	Handle Rubber Ring	2
10	Handle Gasket	2
11	Handle Mounting Nut	2
12	Control Water Body	2
13	Tee	1
14	Inlet Hose	2
15	Instruction Manual	1

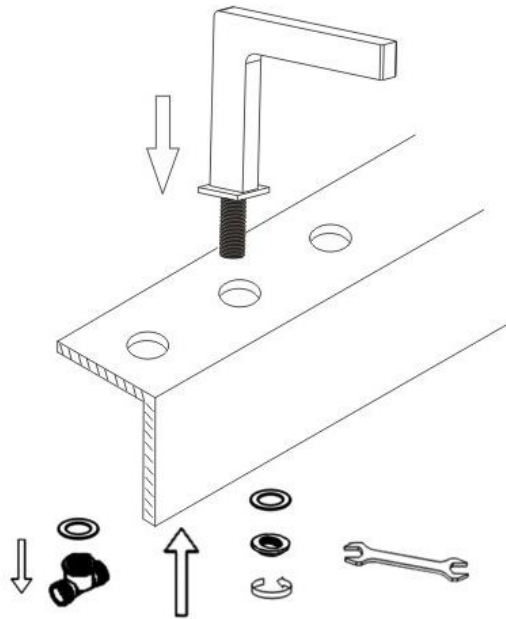


Hose Connection Travel



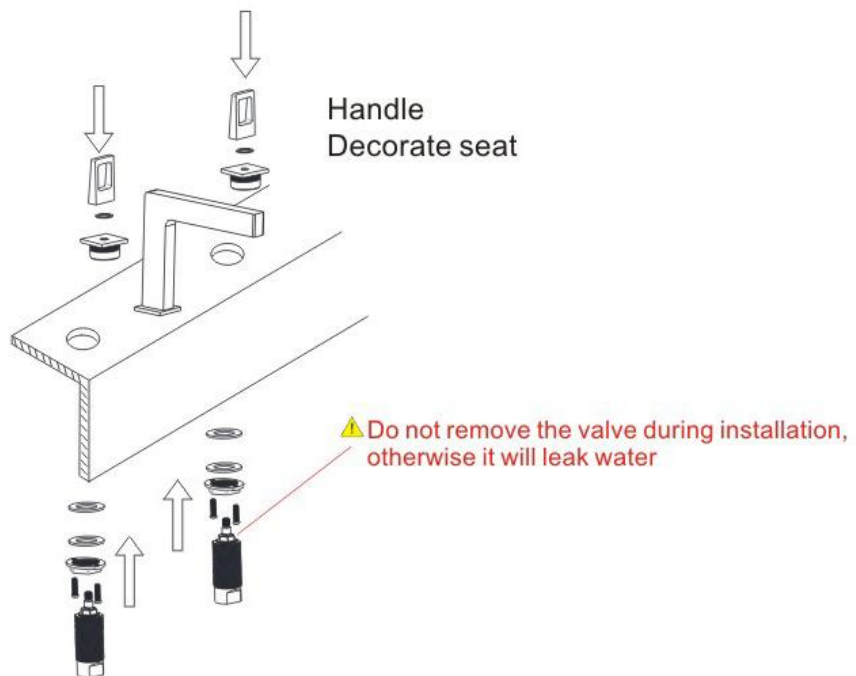
Basin Faucet Installation Step 1

1



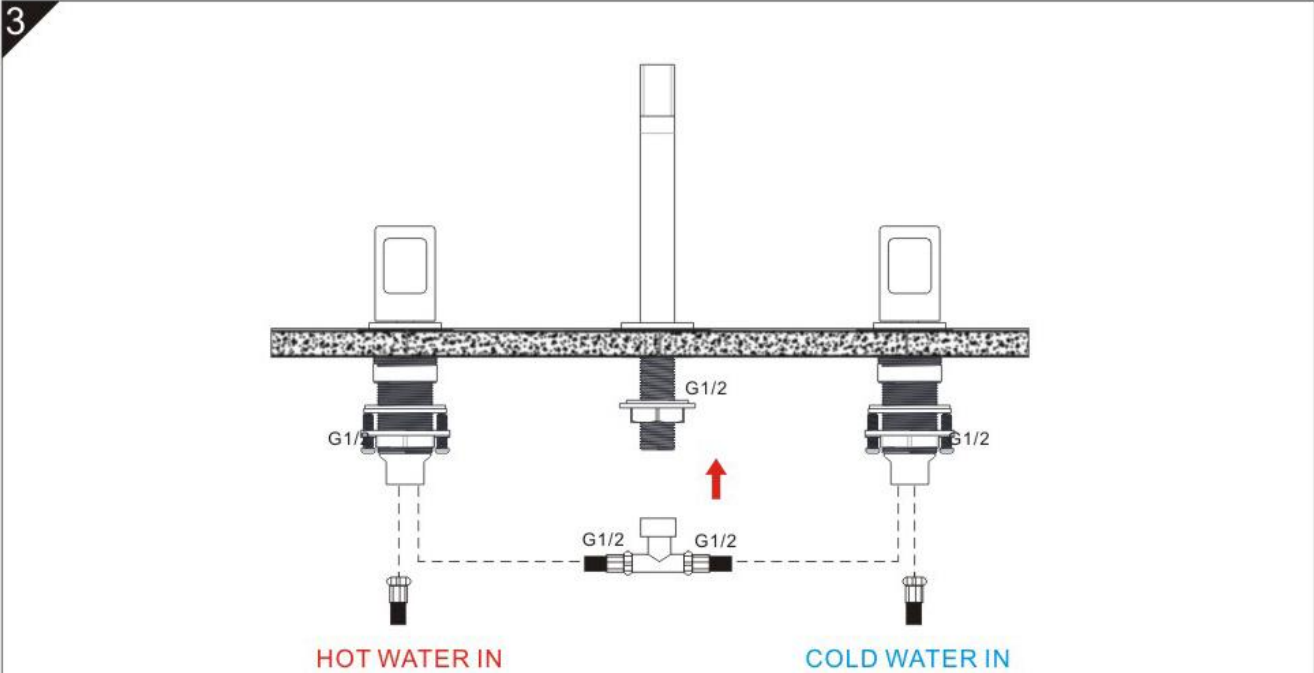
Connect Brass Part with Faucet Body and put the Brass Part through the basin hole. Install Faucet Body Gasket and Mounting Nut in sequence and tighten the nut with a wrench. Then put Tee Gasket into Tee and connect Tee to Brass Part.

2

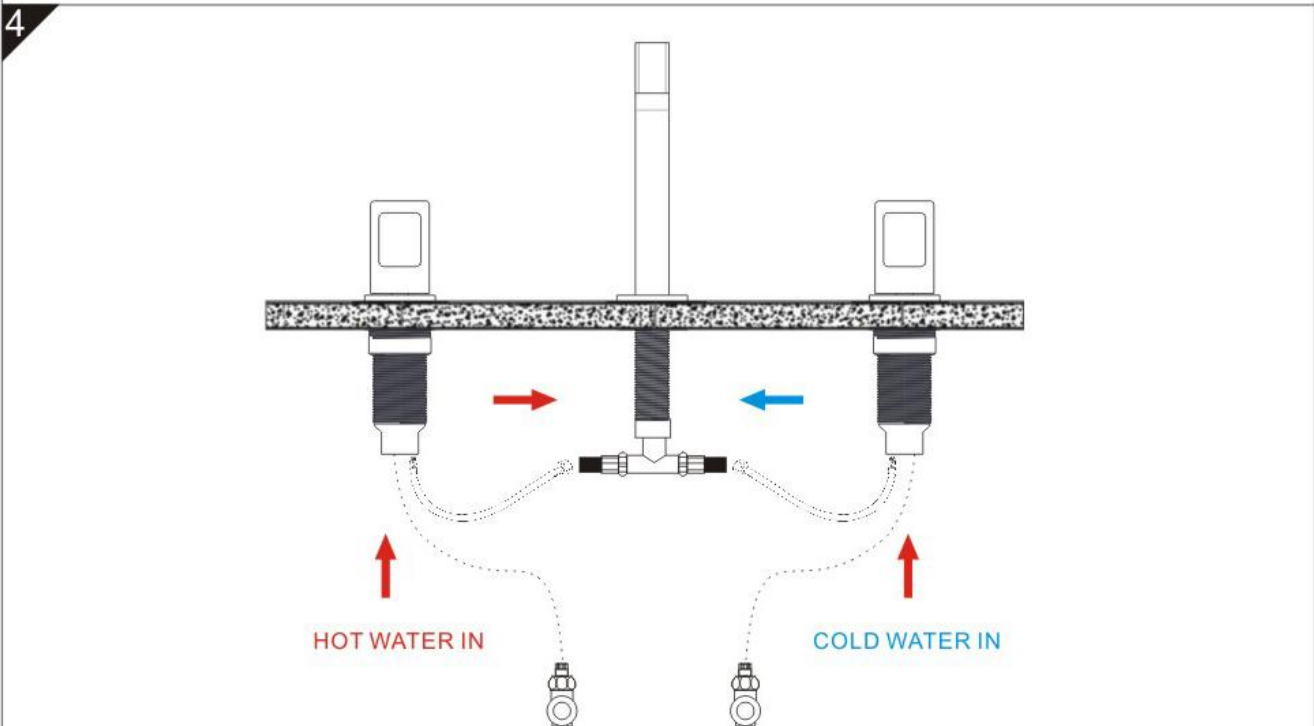


Remove the Decorate Seats and put them on the basin holes. Connect the Control Water Bodies with Decorate Seats from the underside of the basin holes, and tighten them. Finally install the Handles and tighten them. (Not to disassemble the valve by yourself, otherwise leakage will occur.)

Basin Faucet Installation Step 2



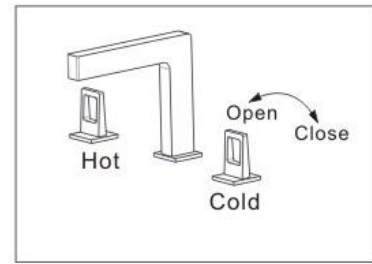
Connect one side of the Inlet Hoses to the Control Water Bodies, the other side to Tee, and tighten them. The red hose is for hot water and the blue hose is for cold water.



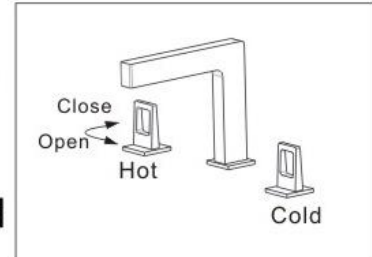
Separately connect another two inlet hoses (please buy them by yourself) to angle valves and control water bodies, left connect to the hot water, right connect to cold water.

Basin Faucet Application Instruction

1: Operating handle gradually is better for valve protection



2: The handles turn right or left is to open or close. The larger the rotation angle, the larger the flow rate. Conversely, the smaller the rotation angle, the smaller the flow rate. Mixed warm water when the cold water handle and the hot water handle are opened at the same time.



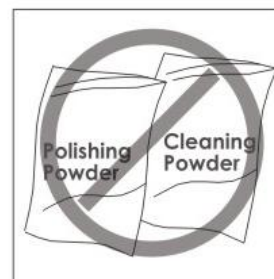
Care and Maintenance

In order to keep the mixer surface bright , please clean the mixer regularly.

Rinse faucet with clean water and wipe with soft cotton cloth.

Avoid using cleaning powder , harsh cleaning chemicals, brushes, and cloth with coarse surface to prevent scratching and corrosion.

Do not use acid cleaner to clean the faucet as it may cause surface corrosion of the faucet. If the faucet comes into contact with harmful acid substances, please rinse it with water immediately.



If a large-scale clean-up is necessary, follow these procedures:

1: Use clean water and soft cloth to remove dirt on the surface as much as possible.

2: Use one of the following cleaners to remove dirt on the surface

Mild liquid cleaner.

Colorless glass cleaner, powder cleaner which does not have abrasive function and can be dissolved completely.

Polish liquid which does not have abrasive function.

3: After cleaning, remove the cleansing agent with clean water completely and wipe with soft cotton cloth.