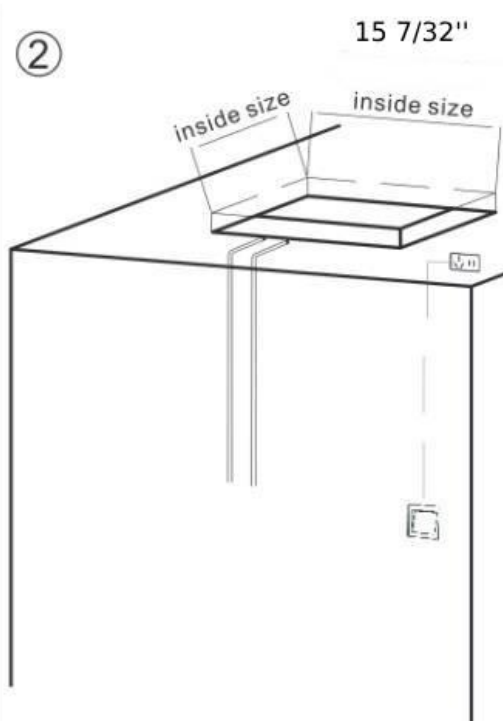
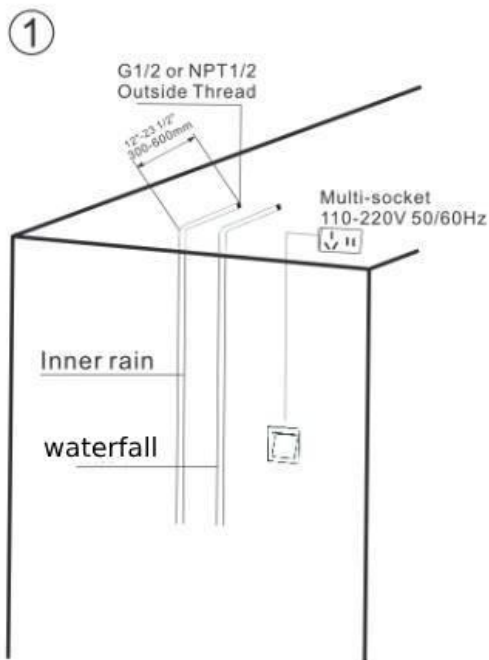


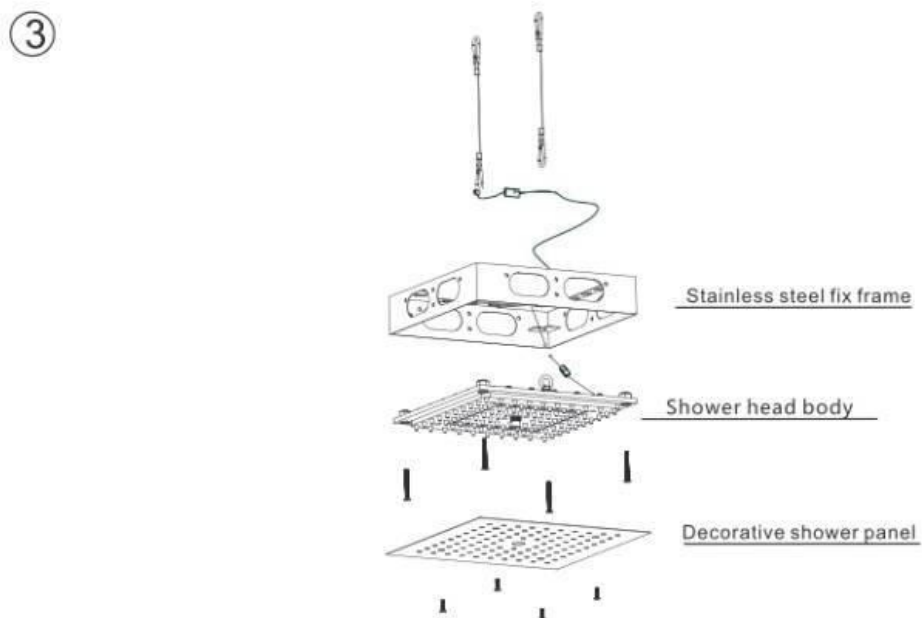
◆ Plumbing Layout of Shower Head

◆ Holes on Ceiling



Install the power switch in the appropriate position, lay out water pipeline and connect it to the main body.

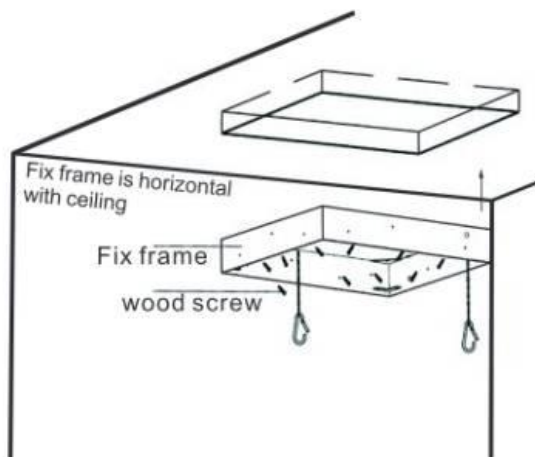
◆ Shower Head Exploded View



According to the mark (Remove Install) on the top of shower head panel, respectively unscrew the decorative shower panel, shower head body and fix frame.

◆ **Fix Frame Installation**

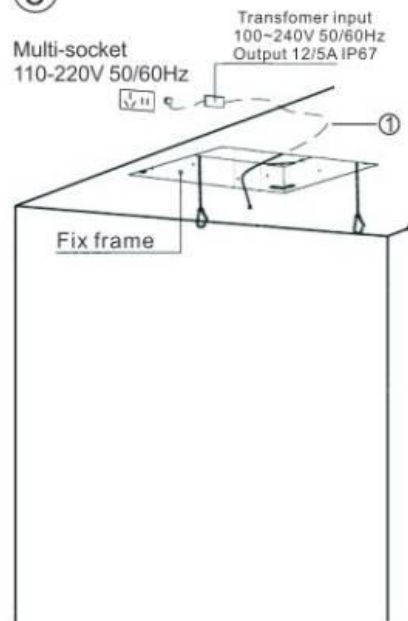
④



Fasten the fix frame to the wooden frame with 8 screws.

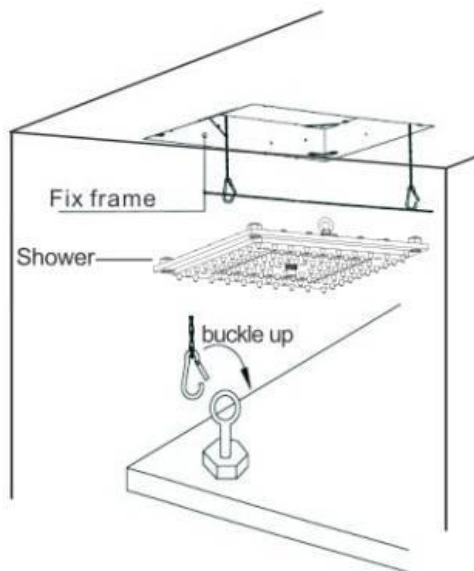
◆ **Layout for Power**

⑤



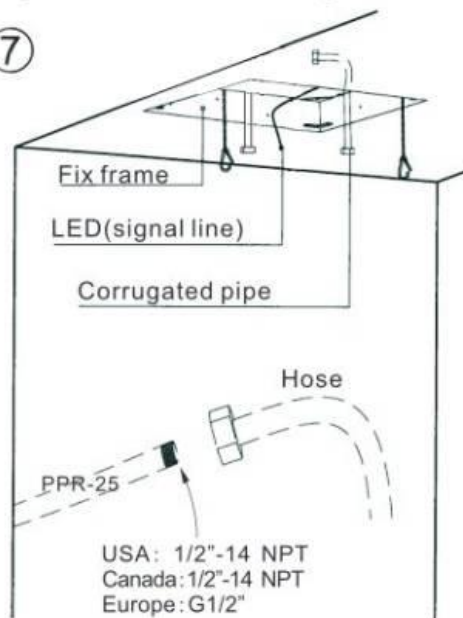
◆ **Shower Head Body Installation**

⑥



◆ **Layout for Water Pipe**

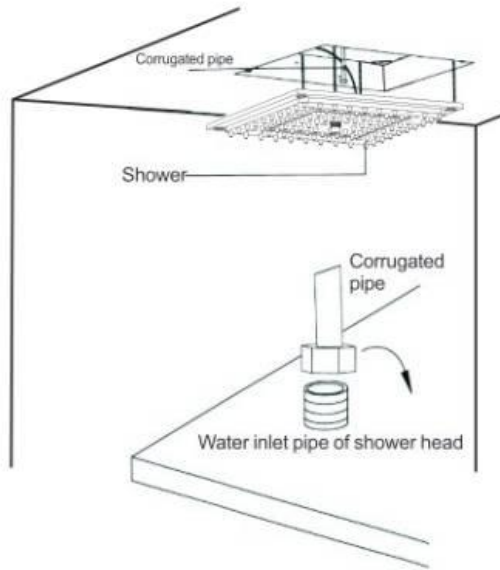
⑦



Connect one end of the corrugated pipe to the embedded PPR water pipe and the other end to the water inlet pipe on the back of shower head.

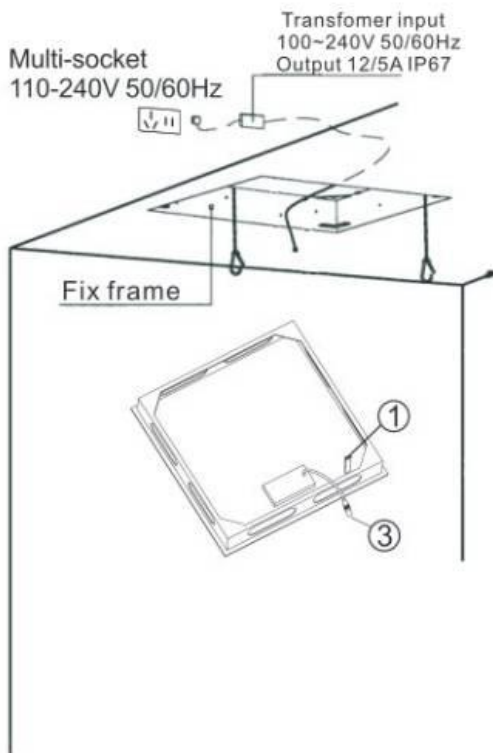
◆ **Water Inlet Pipe Connection**

⑧

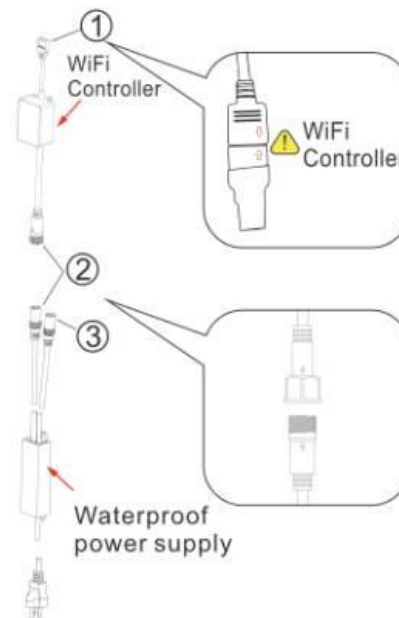


◆ **LED (Single Line) Connection**

⑨

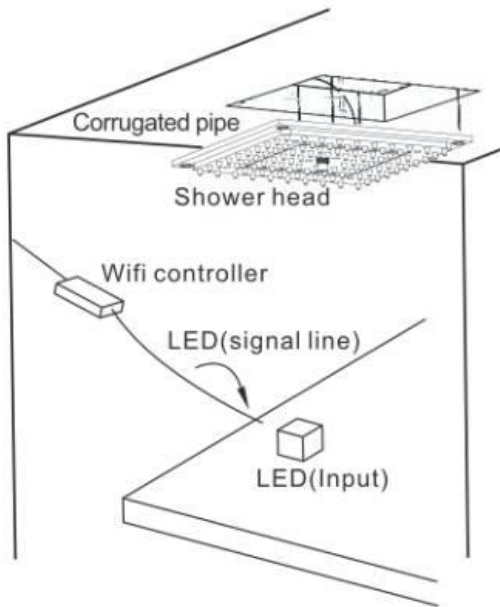


- ① to ① wifi controuer wrap it with adhesive tape to prevent it from falling off.
- ② to ② connect the Power supply and WiFi.
- ③ to ③ connect the Power supply and sound.



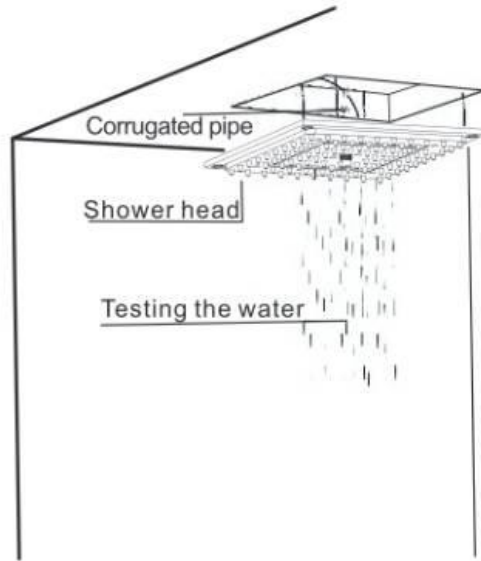
◆ LED (Single Line) Connection

⑩



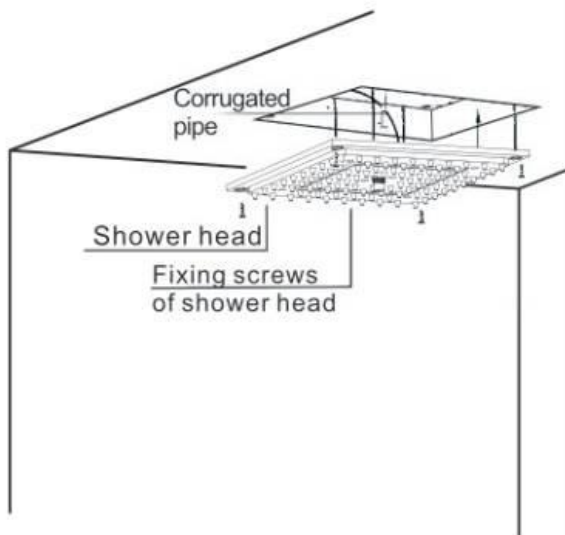
◆ Water Testing

⑪



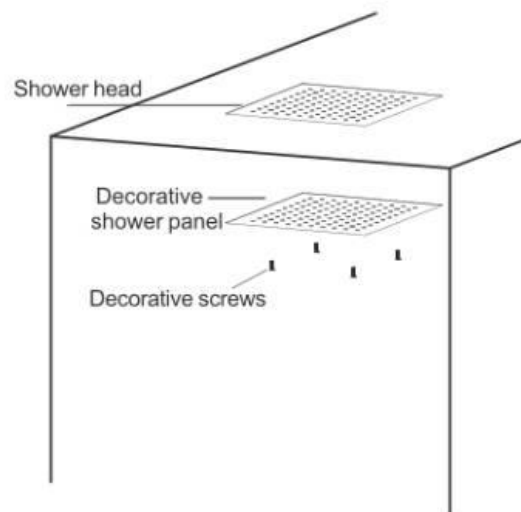
◆ Shower Head Installation

⑫



◆ Decorative Shower Panel Installation

⑬



• **LED Touch Remote Instruction**

Main parameter:

Panel controller:

Working Temp.: -20~60°C

Supply Voltage: DC 12-24V

Size: L50*W35*H23mm
1 15/16" * 1 6/16" * 14/16"

Output: 3 channels

Output Current: <2A (each channel)

Connection mode: common anode

Touch Remote:

Working voltage: 1.5V * 3V

Emission current: 10mA

Working Current: 300uA

Standby Current: 3uA

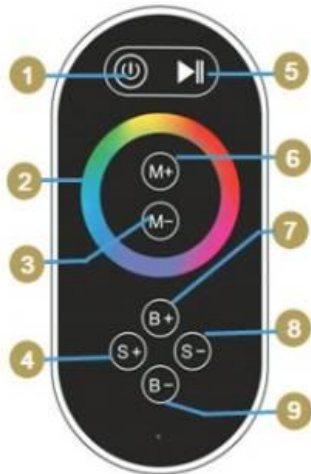
Standby time: 6 months

Control Distance: 20M

Color pulley point: 60



Touch remote has 9 touch keys, with each functioning as follows:



- ① Turn ON/OFF
- ⑤ Mode Switch
- ② Color Touch Ring
- ③/⑥ Color Temperature adjusting
- ④/⑧ Dynamic Speed adjusting
- ⑦/⑨ Dynamic Brightness adjusting

Mode:

NO.	FUNCTION	REMOTE
1	Static red	Brightness is adjustable Speed is unadjustable
2	Static green	
3	Static blue	
4	Static purple	
5	Static blue-green	
6	Static yellow	
7	Static white	
8	R G B Jumping	Brightness is adjustable Speed is adjustable
9	R G B Gradual	
10	7-Colors Jumping	
11	7-Colors Gradual	

2. Power supply management:

The remote will enter the standby state (untouchable state) when pressed for more than 20s. If it happens, please slightly shake it once and then the remote will come back to the normal working state (touchable state).

3. Indicator light instruction:

3.1. The remote is idle or sending signal when the PWR is bright; when the PWR is off, it will enter the standby state.

3.2. When RF is bright, it means the remote is sending signal; off means there is no signal sending.

Controller connections shown:



Remarks:

1. This product should be commissioned and installed by qualified personnel.
2. This product can not be waterproof, need to avoid sun and rain, if installed outdoors, please use waterproof box.
3. Good heat dissipation conditions will extend the life of the LED controller, please install the product in a well-ventilated environment.
4. Please do not install or use such products in lightning, thunder, strong magnetic or high voltage applications.
5. Please check whether the output voltage of the LED power supply used meets the product voltage range requirements.
6. The diameter of the wire used must be sufficient to load the connected LED luminaire, and ensure that the wiring is firm, to avoid the wire overheating or poor contact triggers the accident.
7. Before power-on debugging, ensure that all wiring is correct to avoid damage to the luminaire due to wiring errors.

◆ Music Connection Description



Turn on the Bluetooth of your mobile phone and find the name of the shower head Bluetooth then connect it. So that you can start playing wonderful music.