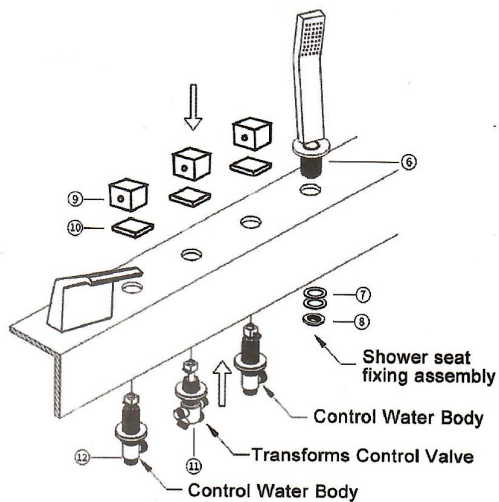


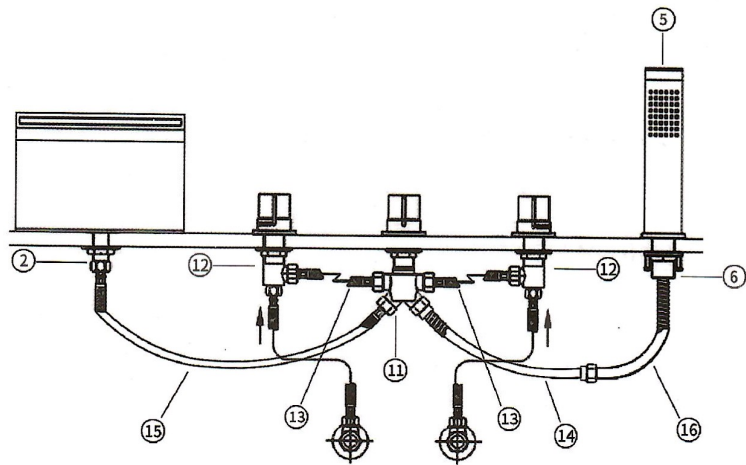
2



Remove the Decorate Seats ⑩ and put them on the bathtub holes. Connect Transforms Control Valve ⑪ and Control Water Bodies ⑫ with Decorate Seats ⑩ from the underside of the bathtub holes, and tighten them. Then install the Handles ⑨ and tighten them.

Hand Pedestal ⑥ installation: Remove Pedestal Gaskets ⑦ and Mounting Nut ⑧. Connect them with Hand Pedestal ⑥ from the underside of the bathtub holes, and tighten Mounting Nut ⑧ with a wrench. (Not to disassemble the valve by yourself, otherwise leakage will occur. Left Control Water Body ⑫ connects to the hot water, right connects to the cold water.)

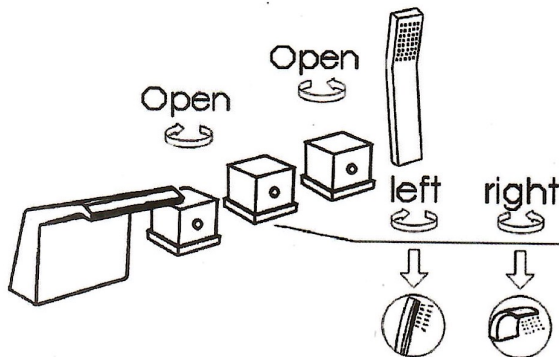
3



Install Hot and Cold Hoses ⑬ as the above drawings. Connect one side of Hot and Cold Hoses ⑬ with Transforms Control Valve ⑪, the other side to Control Water Bodies ⑫. Left is to hot water, right is to cold water. One side of Shower Hose ⑯ is connected to Hand Shower ⑤, the other side is connected to the Shower Connect Hose ⑭ through Hand Pedestal ⑥. Then the other side of Shower Connect Hose ⑭ is connected to Transforms Control Valve ⑪. Finally one side of Body Connect Hose ⑮ is connected with Brass Part ②, the other side is connected to Transforms Control Valve ⑪, and tighten them. Separately connect another two inlet hoses (please buy them by yourself) to angle valves and Control Water Bodies ⑫.

Application Instruction

- 1: The middle one of the Handles 9 is control water diversion of the Faucet Body 1 and Hand Shower 5. Turn left, water comes out from the Hand Shower 5; turn right, water comes out from the Faucet Body 1.
- 2: Operating handle gradually is better for valve protection.
- 3: The handles 9 turn right or left is to open or close. The larger the rotation angle, the larger the flow rate. Conversely, the smaller the rotation angle, the smaller the flow rate. Mixed warm water when the cold water handle and the hot water handle are opened at the same time.
- 4: Turn on the water supply, check all connect points if leaking. If leaking, tighten it. Now the faucet is ready for using.



Care and Maintenance

In order to keep the mixer surface bright, please keep often or regularly to clean the mixer

Wash faucet with clean water, and wipe with soft cotton cloth

Avoid using cleaning powder, harsh cleaning chemicals, brushes, and cloth with coarse surface to prevent scratching and corrosion

Do not use acidic cleaning agents for washing the faucet as it may cause corrosion on the surface of faucet. Rinse off with water immediately if the faucet is in contact with harmful acidic agents

If must carry on the massive clearing, please obey the following procedure:

1. Use clear water and the soft cloth, eliminate the superficial dirt and the filthy membrane as far as possible;
2. Use the any following cleanser the remove the superficial dirt and the filthy membrane;

Temperate liquid cleanser.

The colorless glass cleaner, does not have the powdery cleanser which the abrasive action and can dissolve completely (according to instruction mix).

Polish liquid which does not abrasive action.

3. After cleanly, please remove the complete cleansing agent with the clear water, and wipes with soft cotton fabric.

