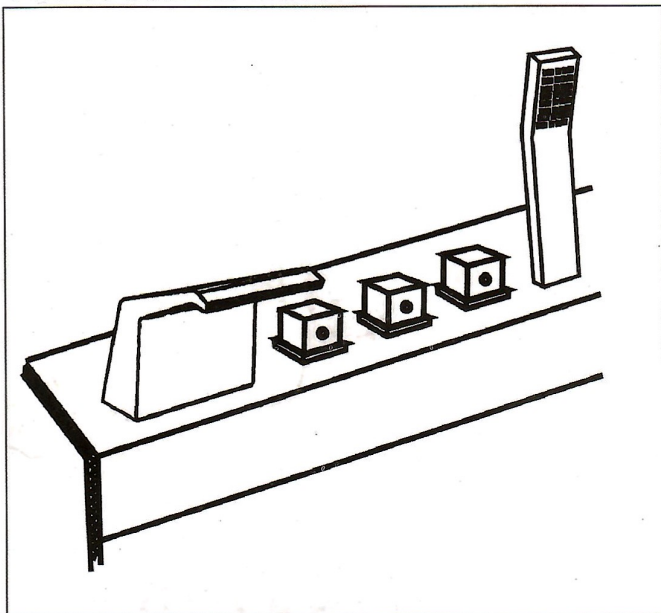


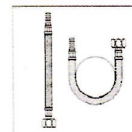
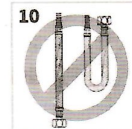
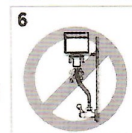
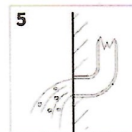
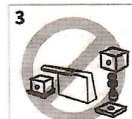
Bathtub Mixer Fast Installation

5 holes bathtub faucet



Installation Condition

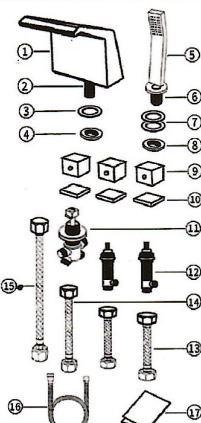
1. Refer to the 《Standard Part List》 when you open package, check all parts available
2. Ensure basin you buy is matching with the mixer's size
3. Do not disassemble mixer body by yourself
4. Connect inlet hoses to supply stopper. Left hose to hot water supply, and right hose to cold water supply
5. Determine inlet pipes and supply stopper have been installed and cleaned, also ensure no impurities in pipeline
6. When finished installation, check all joints and connections for leaks
7. Water pressure shall be : $0.1 \text{ Mpa} \leq \text{Water pressure} \leq 10 \text{ Mpa}$
8. When tighten the connecting nut can not be greater than 10nm
9. Don't over bend the hose and ensure no hose deformation after installation



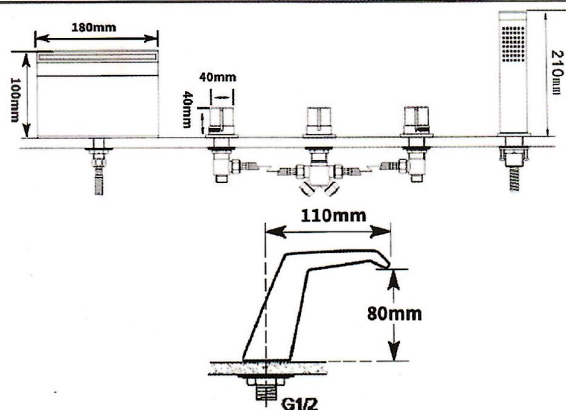
- KIND TIPS:**
1. Suggest that faucets are fitted in two months after the completion of your house decoration.
 2. Suggest don't fit the faucet in the severely corrosive environments; if needed, please often clean the faucet surface in order to maintain its service life

Standard Part List

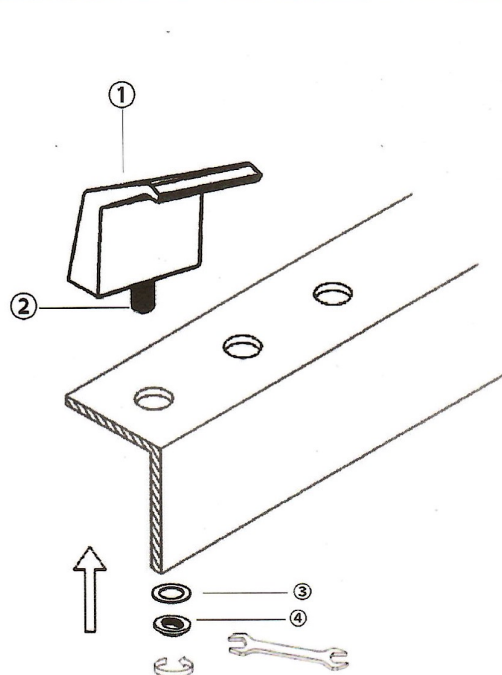
NO	Part Name	Quantity
1	Faucet Body	1
2	Brass Part	1
3	Faucet Body Gasket	1
4	Mounting Nut	1
5	Hand Shower	1
6	Hand Pedestal	1
7	Pedestal Gasket	2
8	Mounting Nut	1
9	Handle	3
10	Decorate Seat	3
11	Transforms Control Valve	1
12	Control Water Body	2
13	Hot and Cold Hose	2
14	Shower Connect Hose	1
15	Body Connect Hose	1
16	Shower Hose	1
17	Instruction Manual	1



Essential Dimension Diagram



Installation Step



Connect Brass Part ② with Faucet Body ① and put the Brass Part ② through the basin hole. Install Faucet Body Gasket ③ and Mounting Nut ④ in sequence and tighten the nut with a wrench.