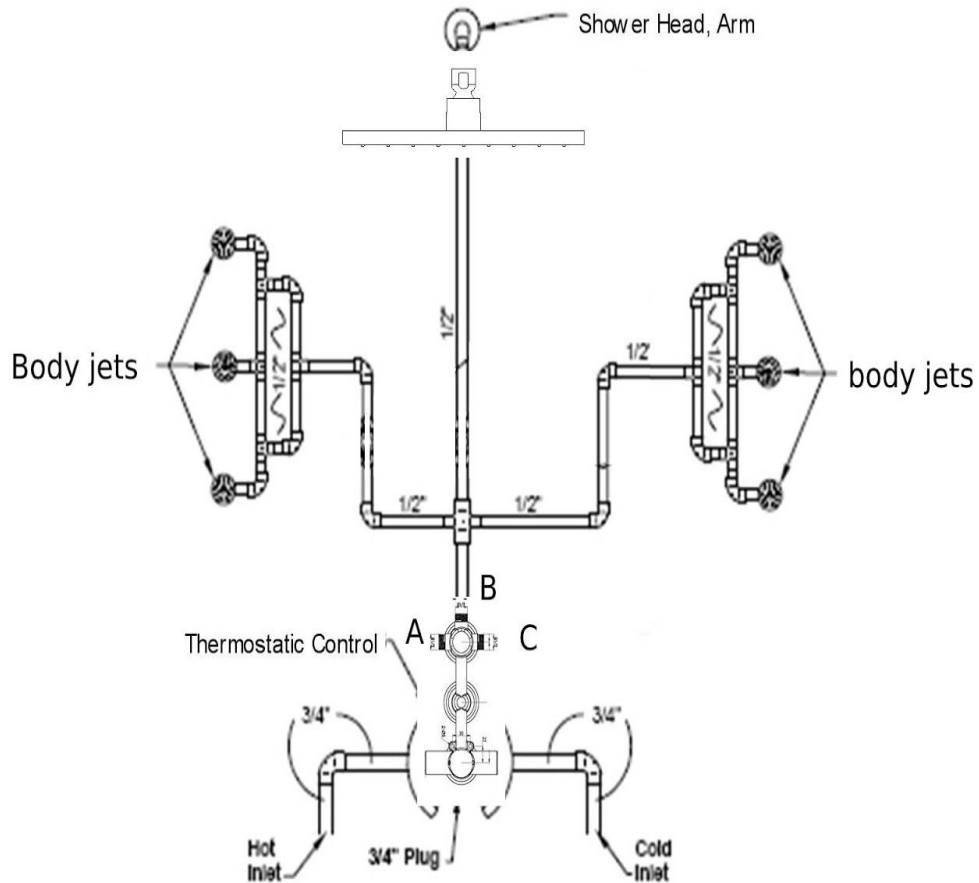


Installation instruction

(6 body jets shower systems)
Part One Water pipe lines design

1. Water pipes lines instruction A for body jets

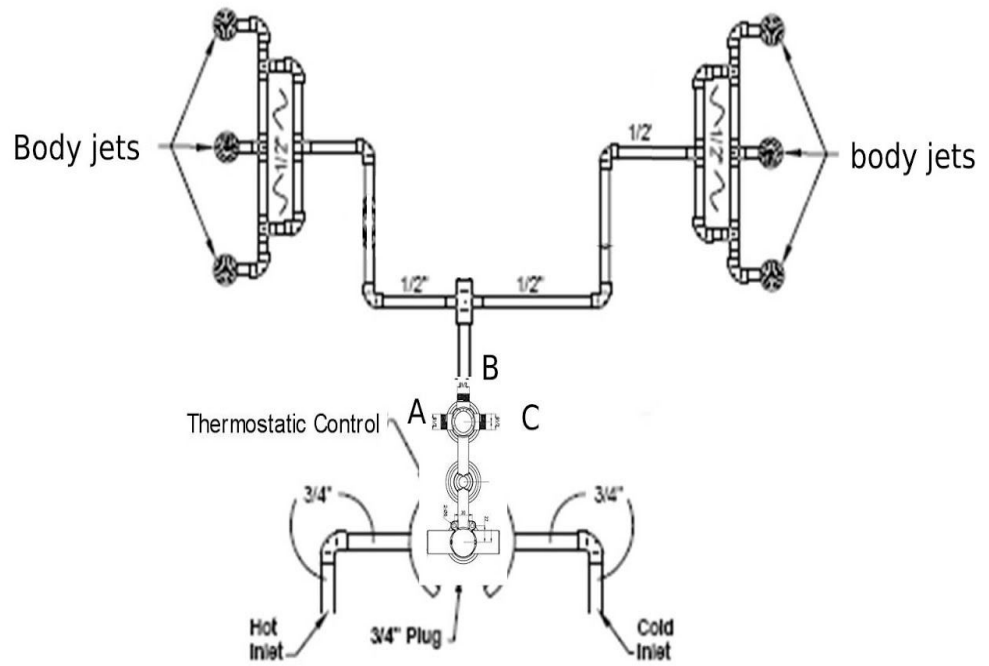
A outlet is with thread cover to make 3 ways into 2 ways if both body jets and shower heads rain at the same time.



All the size of outlets of valve is male G1/2".

2. Water pipes line instruction B for body jets:

1. Outlet A is to shower head
2. Outlet B is to 6 body jets
3. Outlet C is to handheld shower



Part Two Install the supply pipes

1. Install the Supply Piping

Multiple Bodyspray Installation

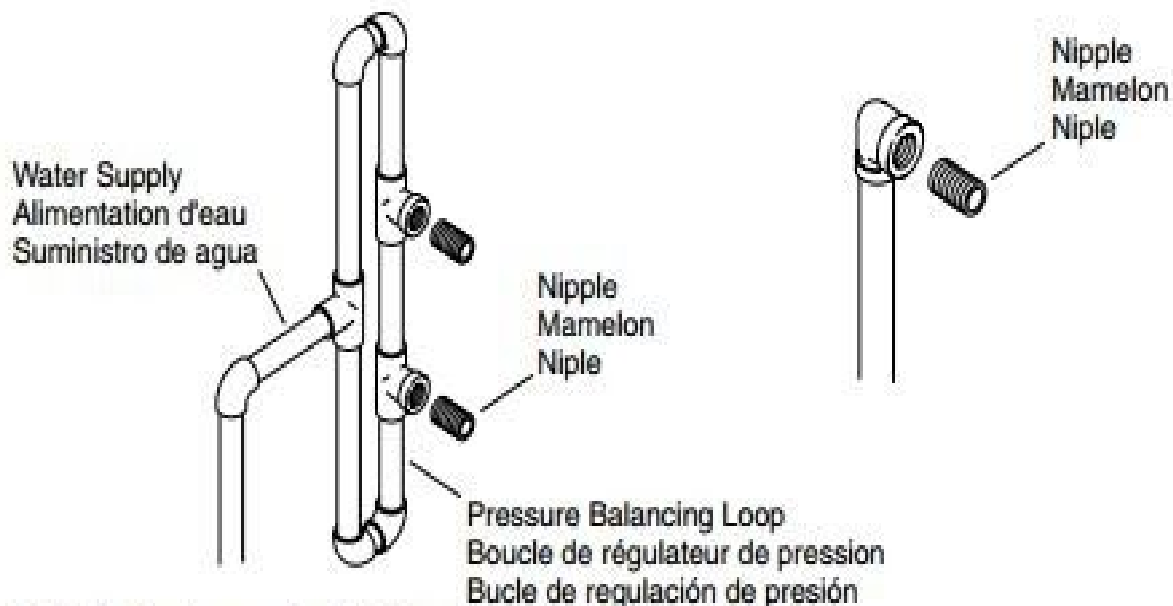
Installations de jets corporels multiples

Instalación de múltiples rociadores corporales

Single Bodyspray Installation

Installations d'un seul jet corporel

Instalación de un solo rociador corporal



Multiple Bodyspray Installations

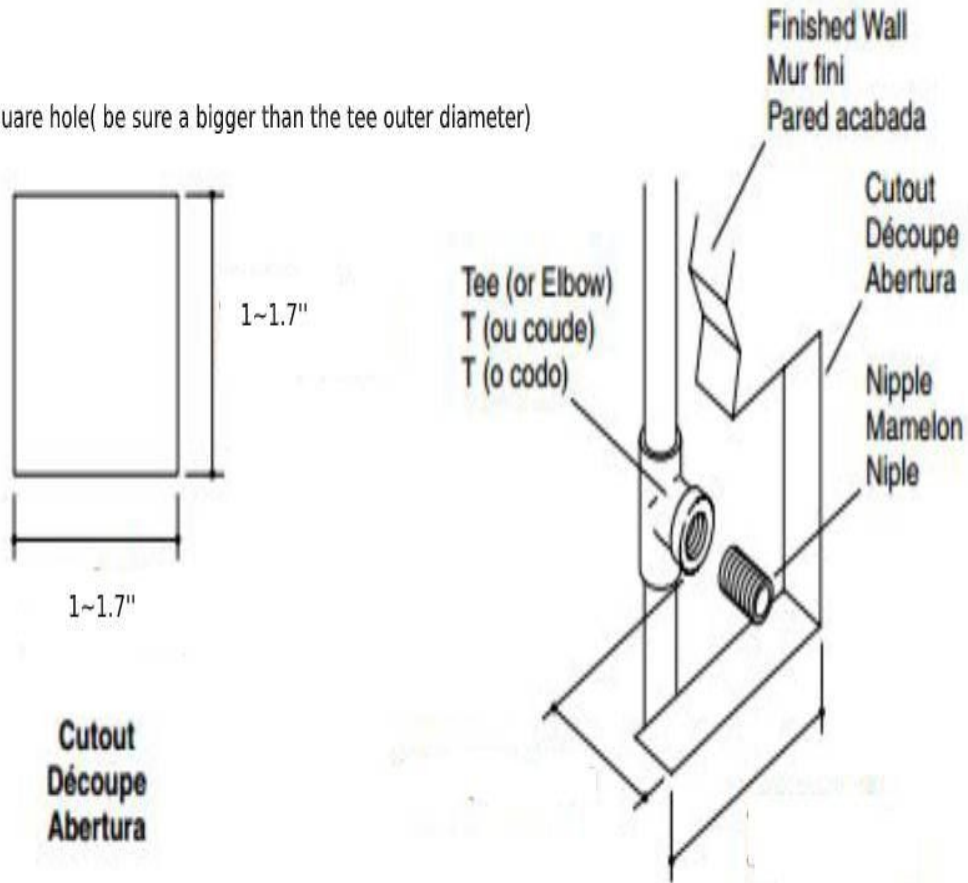
- Route the water supply lines.
- If installing more than one bodyspray off the same supply line, construct a pressure balancing loop. Locate a tee along the loop at each bodyspray installation location.
- Do not strap the pipes at this time.

Single Bodyspray Installations

- Route the water supply line.
- Install an elbow to the end of the supply pipe at the bodyspray installation location.

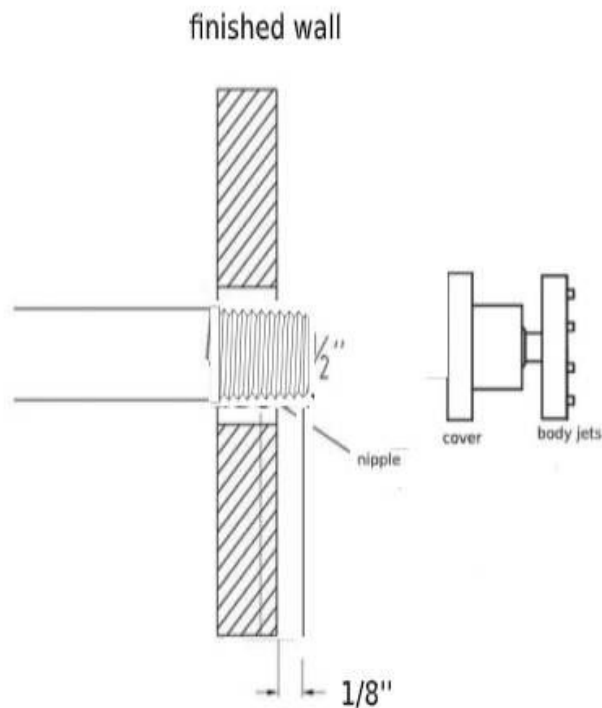
this is suggested drawing and pls refer to the professional opinions from the plumber.

square hole(be sure a bigger than the tee outer diameter)



- Install the water-resistant wall board.
- Cut out a square at each tile installation location.
- Install the finished wall material.

the adapter will be connected between the tee and nipple if the thickness of wall is more than 0.8".

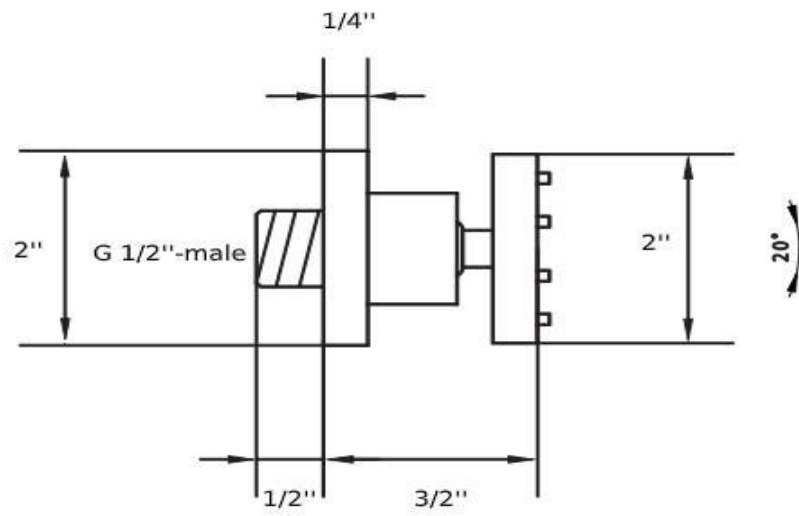


1. pls add 1/2" PVC or metal pipes between the tee and brass nipple if the finished wall is more than 1/2" .
2. pls make hols on the tiles walls to be sure the brass nipple to connect the body jets.
3. pls measure the size exactly and all above-mentioned sizes are only for reference.

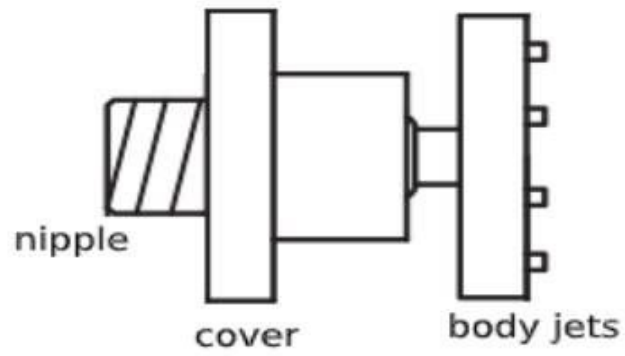
Each body jets can be divided into three parts. $\frac{3}{8}$ inch bend jet is for soft pipes instead of PVC pipes or metal pipes and $\frac{3}{8}$ inch bend jet will be removed from the each body jet so the body jet Will have G1/2 inch male brass nipple.

You need buy some reduce adapter if the fittings are not suitable for the water pipes.

Technical Diagram



Technical Diagram



Part four install body jets

BODY JET INSTALLATION

