

Instruction Manual

Bathtub faucet System

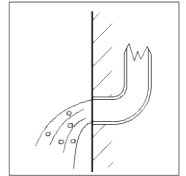


Model : 5164

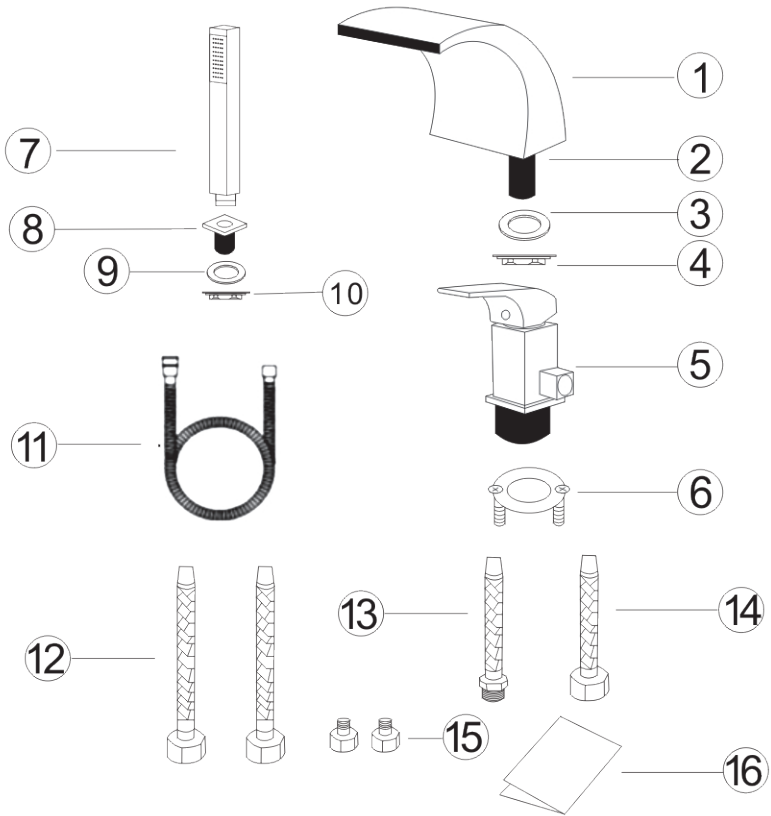
Installation Condition



- 1.Refer to the 《Standard Part List》 when unpacking , check all parts available .
- 2.Do not disassemble mixer body by yourself.
- 3.Connect inlet hoses to supply valves.
- 4.Make sure inlet pipes and supply valves have been installed and cleaned, also ensure no impurities in pipeline.
- 5.After installation , check all joints for leakages.
- 6.Suggest don't fit the faucet in the severely corrosive environments.



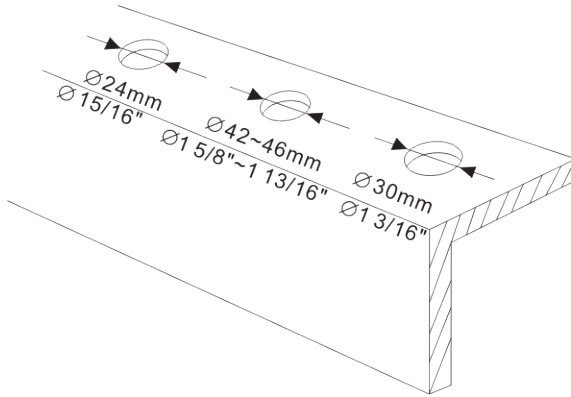
Bathtub Faucet Standard Part List



NO	Part Name	Quantity	NO	Part Name	Quantity
1	Faucet Spout	1	9	Hand Pedestal Gasket	2
2	Brass Connector	1	10	Hand Pedestal Nut	1
3	Faucet Spout Gasket	1	11	Shower Hose	1
4	Nut	1	12	Hot and Cold Hoses	2
5	Faucet Body	1	13	Shower Connector Hose	1
6	Faucet Body Nut	1	14	Spout Connector Hose	1
7	Hand-shower	1	15	G9/16 change to NPT1/2	2
8	Hand Pedestal	1	16	Instruction Manual	1

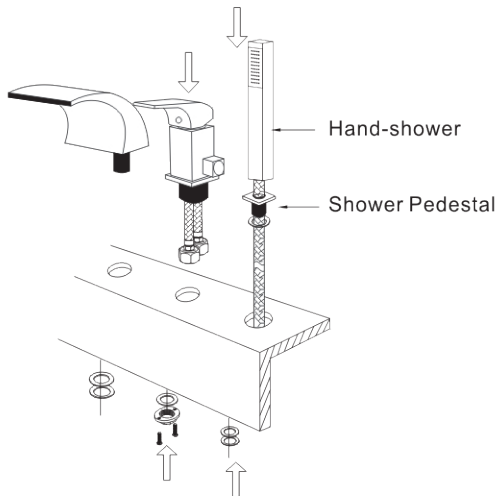
Bathtub Faucet Installation

Step 1



1. Following the dimension of picture 1 and make holes in the edge of bathtub

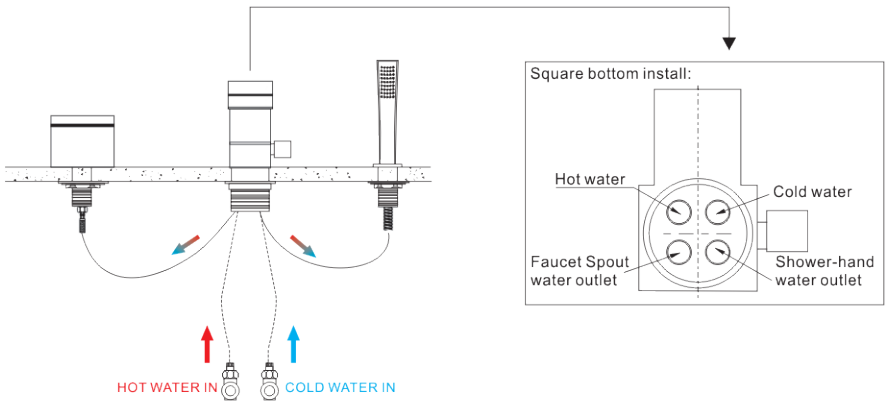
Step 2



2. Taking off the fixed nut of spout, the fixed nut of water diversion body and fixed nut of shower pedestal successively. Then the water diversion body should follow the picture 4 to connect the cold and hot inlet pipe

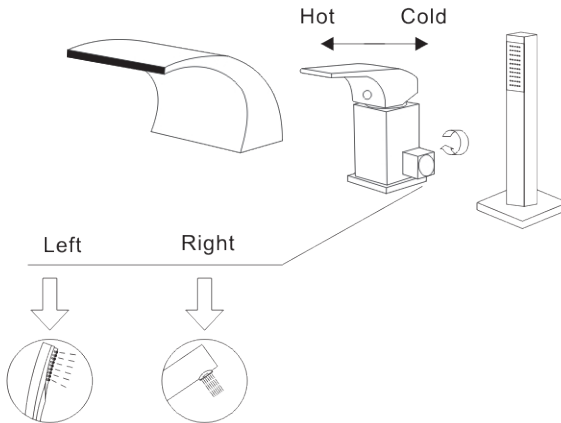
Bathtub Faucet Installation

Step 3



3. Following the picture 3 to fix the spout, the water diversion body and the shower pedestal in the bathtub. Then tighten mounting nut until snug

Step 4



4. Connecting the cold and hot inlet pipe with angle valve
5. Turn on the water supply, check all connect points if leakage. If leaking, tighten it.
Now the faucet is ready for using

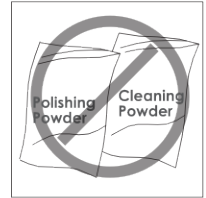
Care and Maintenance

In order to keep the mixer surface bright , please clean the mixer regularly.

Rinse faucet with clean water and wipe with soft cotton cloth.

Avoid using cleaning powder , harsh cleaning chemicals, brushes, and cloth with coarse surface to prevent scratching and corrosion.

Do not use acid cleaner to clean the faucet as it may cause surface corrosion of the faucet. If the faucet comes into contact with harmful acid substances, please rinse it with water immediately.



If a large-scale clean-up is necessary, follow these procedures:

1: Use clean water and soft cloth to remove dirt on the surface as much as possible.

2: Use one of the following cleaners to remove dirt on the surface

Mild liquid cleaner.

Colorless glass cleaner, powder cleaner which does not have abrasive function and can be dissolved completely.

Polish liquid which does not have abrasive function.

3: After cleaning, remove the cleansing agent with clean water completely and wipe with soft cotton cloth.

