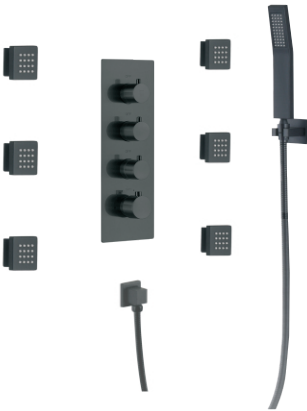
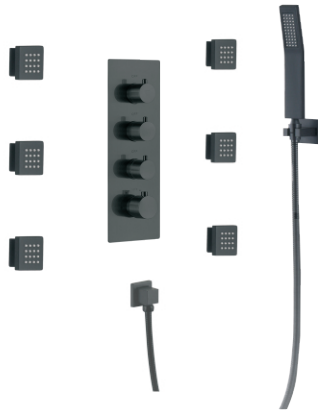


THERMOSTATIC SHOWER Series INSTALLATION GUIDE



Model: 6374



Model: 6374-B

◆ INSTALLATION CONDITION



1.Refer to the 《Standard Part List》 when unpacking , check all parts available .

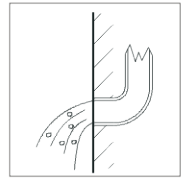
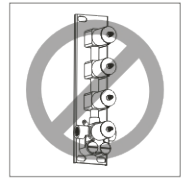
2.Do not disassemble mixer body by yourself.

3.Connect inlet hoses to supply valves.

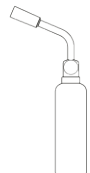
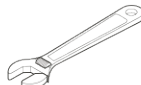
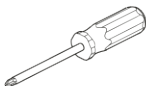
4.Make sure inlet pipes and supply valves have been installed and cleaned, also ensure no impurities in pipeline.

5.After installation , check all joints for leakages.

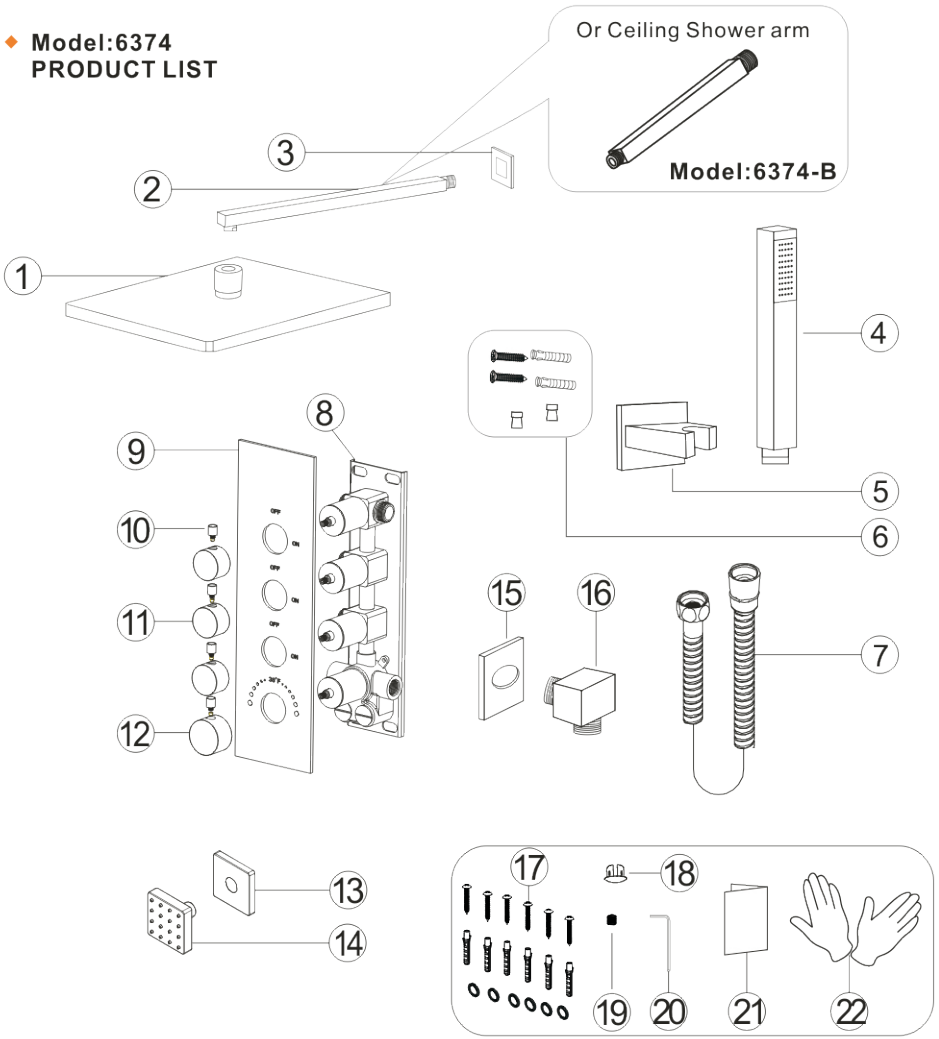
6.Suggest don't fit the faucet in the severely corrosive environments.



YOU MAY NEED:



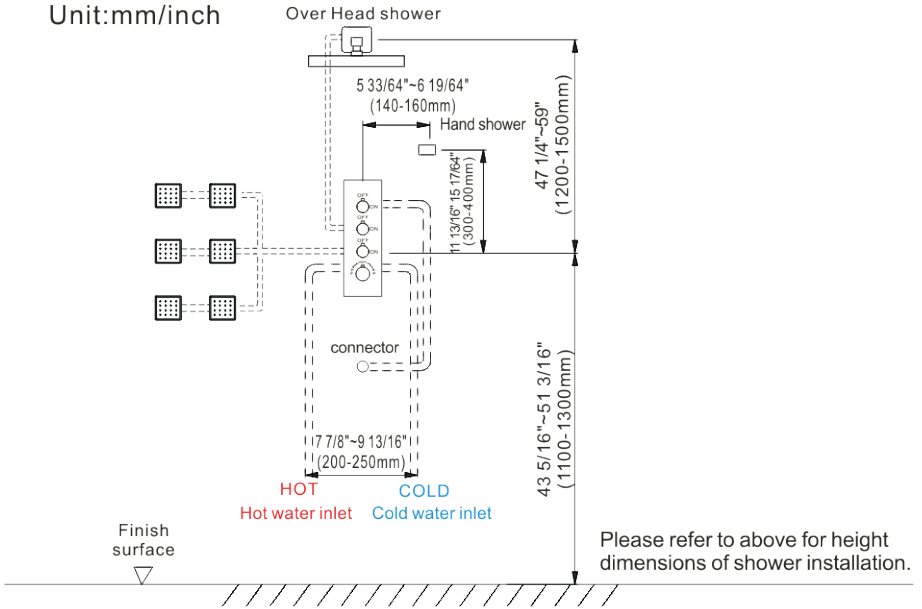
◆ **Model:6374**
PRODUCT LIST



No.	Part name	Qty	No.	Part name	Qty
1	Shower head	1	12	Handle	1
2	Shower arm	1	13	Body jet cup	6
3	Shower arm cup	1	14	Body jet	6
4	Shower hand	1	15	Cup	1
5	Hand show holer	1	16	Connector	1
6	Holder parts	1	17	Valve gasket spare parts	6
7	Shower hose	1	18	Handle cup	1
8	Main body	1	19	Screw	1
9	Panel	1	20	Wrench	1
10	Water diverter rod	3	21	Instruction manual	1
11	Water diverter	3	22	Gloves	2

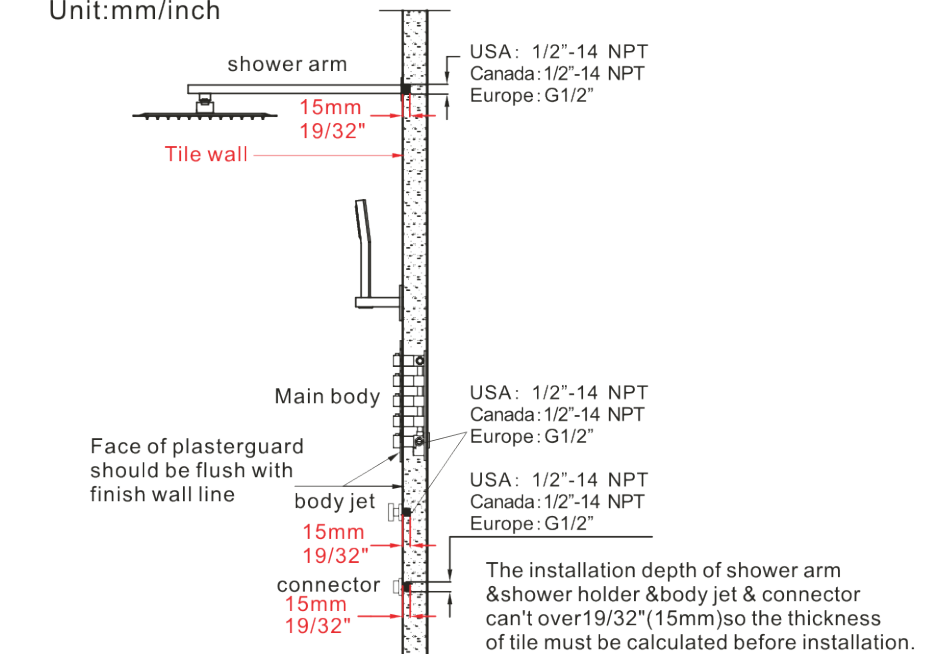
◆ **INSTALLATION SHOWER SET SIZE & WATER PIPE LINE REFERENCE**

Unit:mm/inch



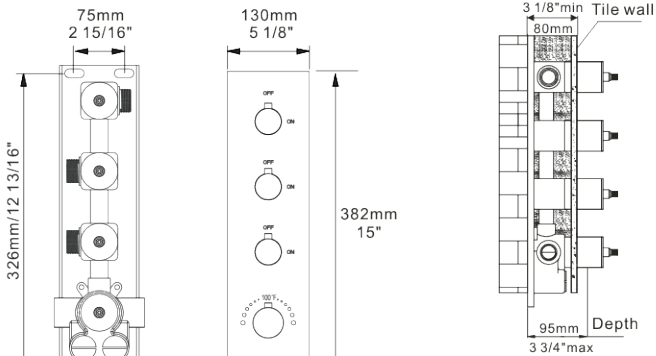
◆ **INSTALLATION DEPTH OF SHOWER ARM & SHOWER HOLDER & BODY JET**

Unit:mm/inch



◆ **INSTALLATION DEPTH OF MAIN BODY**

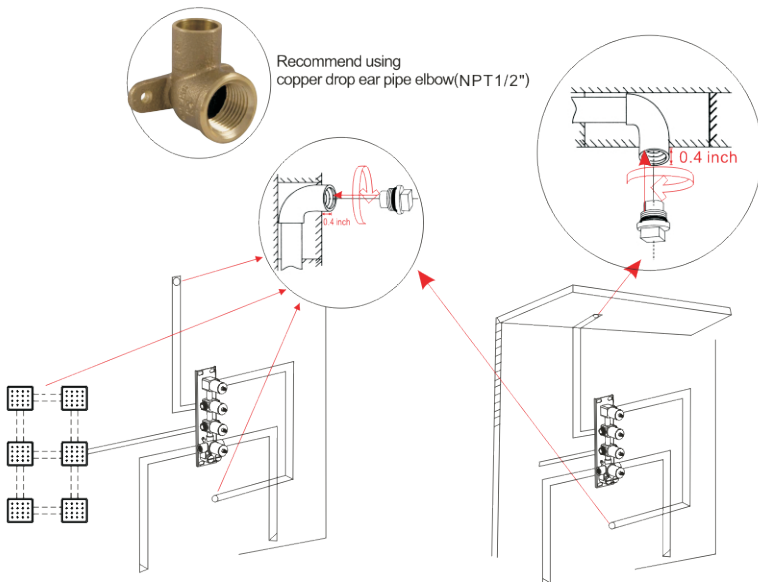
Unit:mm/inch



⚠ The depth of main body should be in the thickness range of wall tile

- 1: Including the thickness of ceramic tile is less than or equal to the thickness of valve 3 3/4" (95mm), so the thickness of tile must be calculated before installation.
- 2: Installation Main body depth not less than 3 1/8"(80mm)min and not more than 3 3/4" (95mm) Max, Otherwise, the panel cannot be installed.

◆ **WALL MOUNTED/CEILING MOUNTED INSTALLATION BEFORE TILONG**

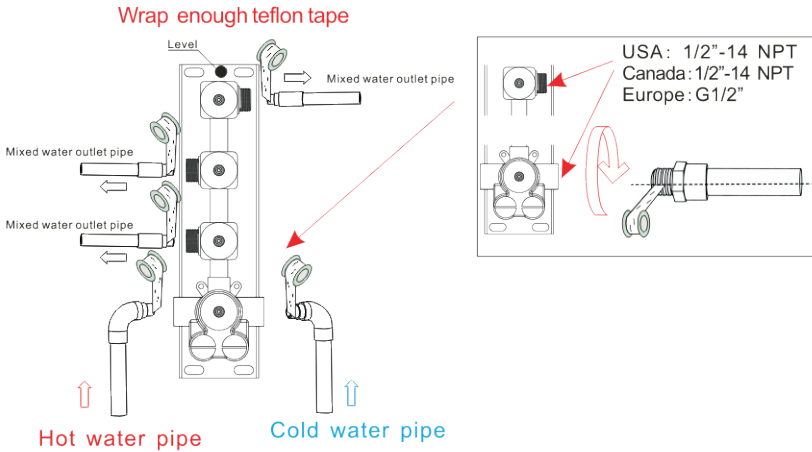


- 1: Recommend using Copper drop ear pipe elbow (NPT 1/2)
USA: 1/14 NPT 2 - Canada: 1/2" -14 NPT Europe: G1/2"

◆ MAIN BODY CONNECTING PIPE SCHEMATIC DIAGRAM

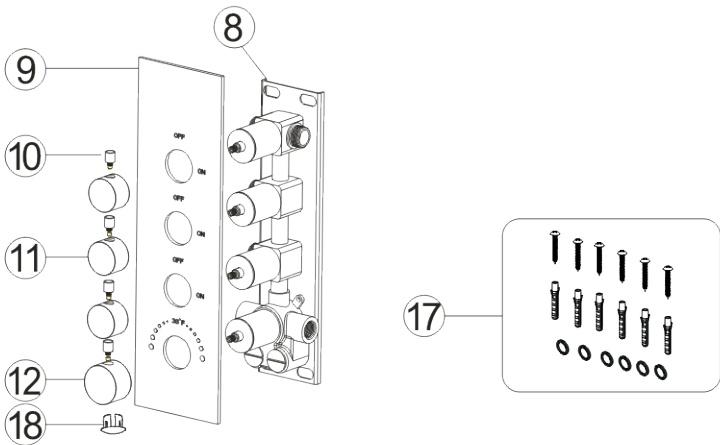


Warning: must install hot water and cold water inlet strictly as instructions.



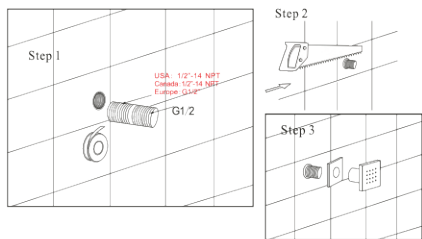
1. As shown in the figure, the inlet and outlet pipes are pre-buried, pay attention to the correct direction of installing the pre-buried main body, and make sure that the mark level on the top of the installation box is facing upward.
2. Install the hot and cold water inlet pipes, Shower head and hand shower holder body jet pipes. Turn on the water source to test whether the left and right inlet pipes are tightly connected without leakage. After the test, adjust the flow switch to be on to test whether the mixed outlet pipe. The connection is tight and there is no leakage.

◆ MAIN BODY VALVE INSTALLATION



Use ⑰ Valve gasket spare parts and to fixed ⑧ Main body on the wall and then install ⑨ Panel ⑫ Hand ⑬ Hand cup and Hand screw ⑪ Water diverter ⑩ Water diverter rod in the correct order.

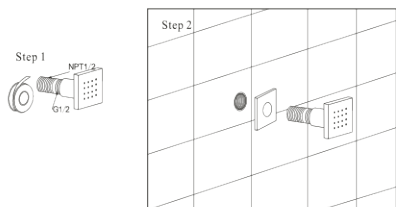
◆ INSTALLATION OF MASSAGE SHOWER



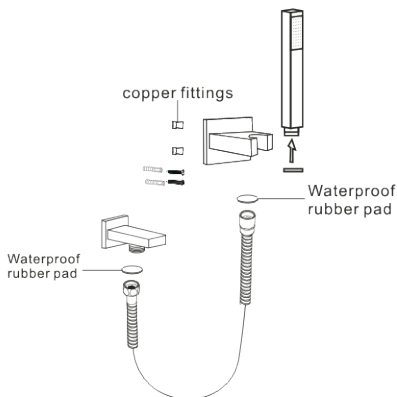
Step 1. Wrap the threaded pipe of NPT1/2 with Teflon tape and screw it into the wall.

Step 2. Cut off excess part with a saw.

Step 3. Put on the decoration cap, then screw the massage shower in.



◆ SHOWER HOLDER INSTALLATION INSTALL THE HAND SHOWER HOLDER



1. The connector to be wrapped with teflon tape, Screw the thread into the water pipe inside the wall.

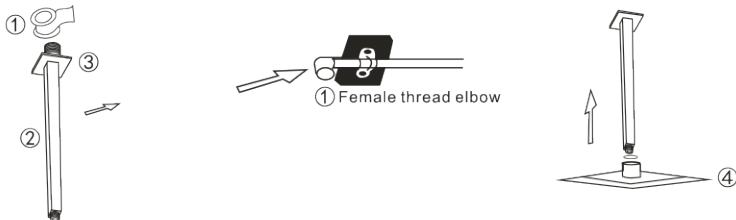
2. Install the rubber pad on the shower hose and connect it with the connector.

3. Using anchors to screw the copper fittings to the wall firstly

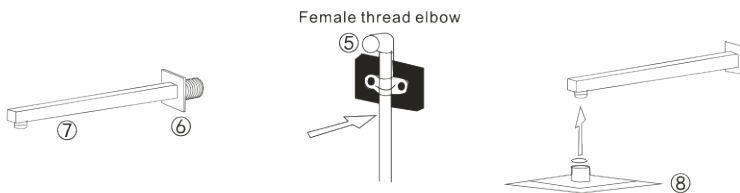
4. Remove two screws on the shower seat

5. Insert the shower seat into the copper fittings that have been installed on the wall and then fix the shower seat with 2 screws

◆ INSTALLATION OF RAIN SHOWER HEAD& SHOWER ARM



Connect top outlet ① to shower arm ② with proper fittings. To prevent damage, to finish on shower arm, insert wall end of shower arm into shower flange ③ before screwing arm into riser connection. Thread showerhead ④ onto shower arm. Apply tape to pipe threads on both ends. Do not overtighten showerhead. The showerhead is 360° swivel connection.



Connect top outlet ⑤ to shower arm ⑦ with proper fittings. To prevent damage, to finish on shower arm, insert wall end of shower arm into shower flange ⑥ before screwing arm into riser connection. Thread showerhead ⑧ onto shower arm. Apply tape to pipe threads on both ends. Do not overtighten showerhead. The showerhead is 360° swivel connection.

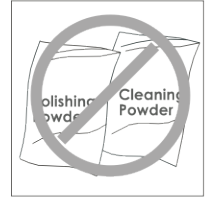
◆ CARE AND MAINTENANCE

In order to keep the mixer surface bright , please clean the mixer regularly.

Rinse faucet with clean water and wipe with soft cotton cloth.

Avoid using cleaning powder , harsh cleaning chemicals, brushes, and cloth with coarse surface to prevent scratching and corrosion.

Do not use acid cleaner to clean the faucet as it may cause surface corrosion of the faucet. If the faucet comes into contact with harmful acid substances, please rinse it with water immediately.



◆ IF A LARGE-SCALE CLEAN-UP IS NECESSARY, FOLLOW THESE PROCEDURES

1: Use clean water and soft cloth to remove dirt on the surface as much as possible.

2: Use one of the following cleaners to remove dirt on the surface

Mild liquid cleaner.

Colorless glass cleaner, powder cleaner which does not have abrasive function and can be dissolved completely.

Polish liquid which does not have abrasive function.

3: After cleaning, remove the cleansing agent with clean water completely and wipe with soft cotton cloth.