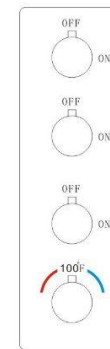
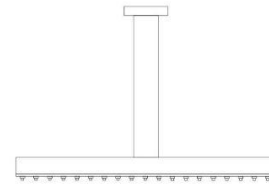


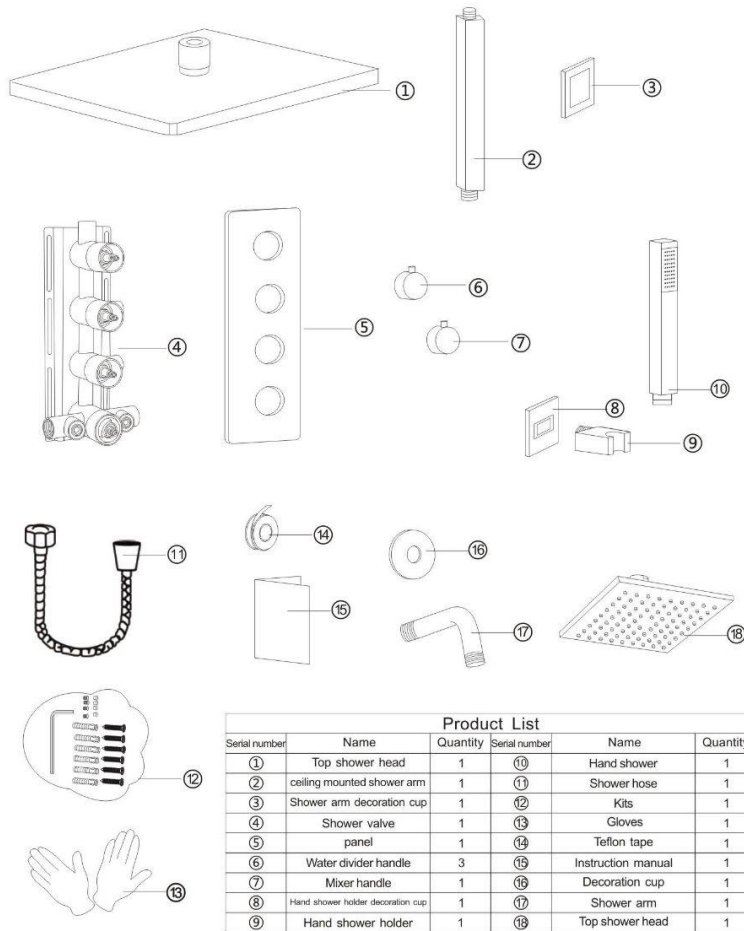
THERMOSTATIC SHOWER MANUAL



Product List

Please check the accessories with following table, if there is anything missing, please contact customer service immediately.

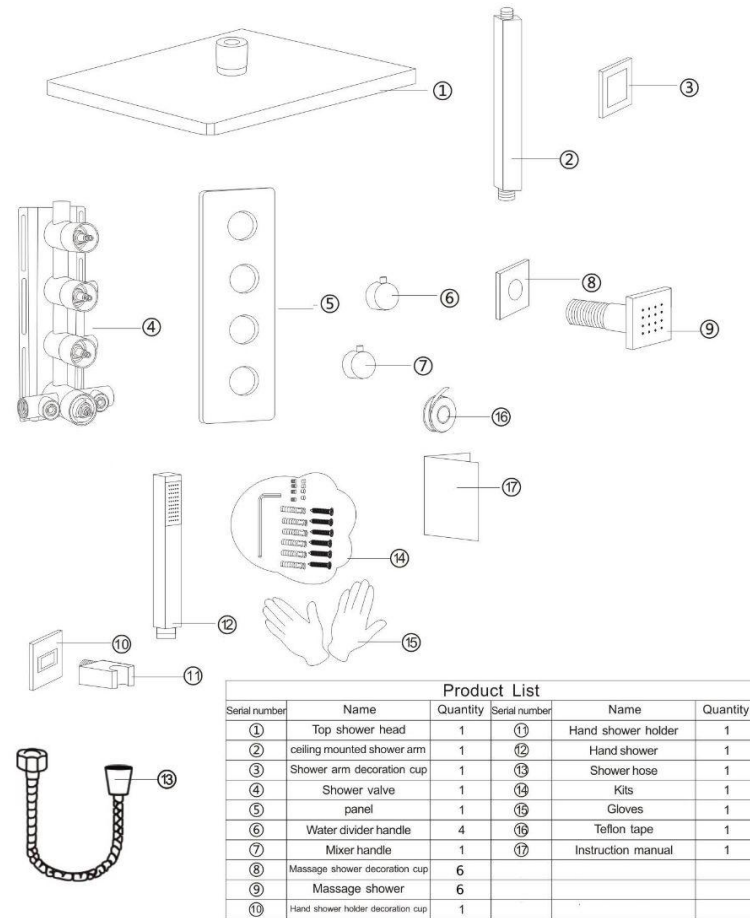
1/2 inch inlets 3-way thermostatic shower faucet



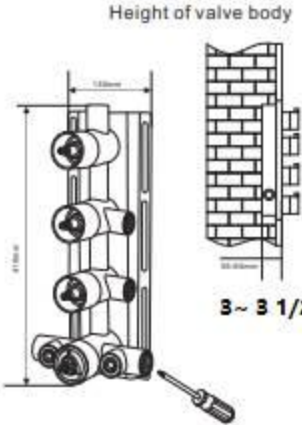
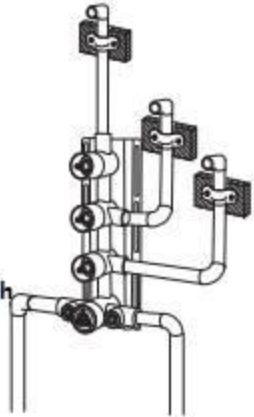
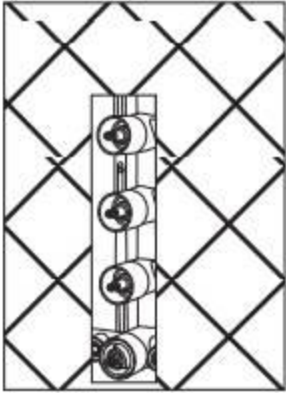
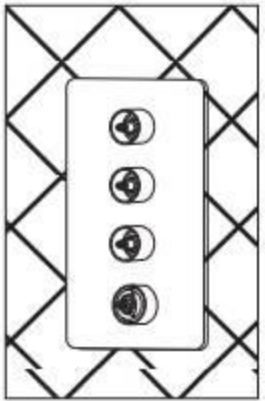
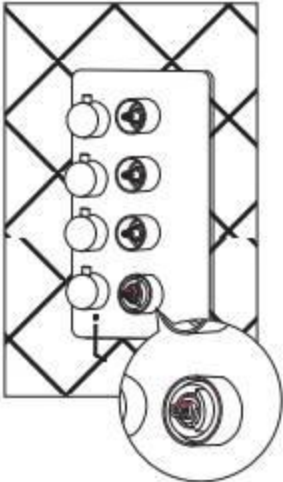
Product List

Please check the accessories with following table, if there is anything missing, please contact customer service immediately.

1/2 inch inlets 3-way thermostatic shower faucet

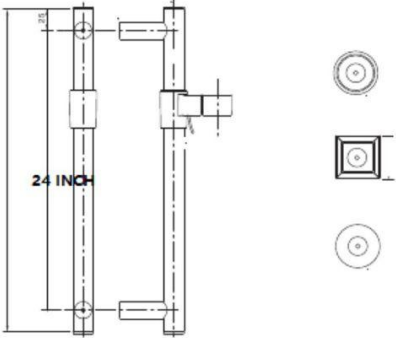
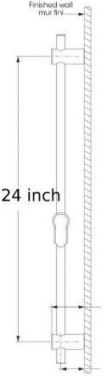
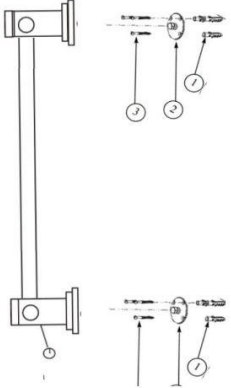


◆ Installation step—1/2 inch inlets 3-way thermostatic shower faucet

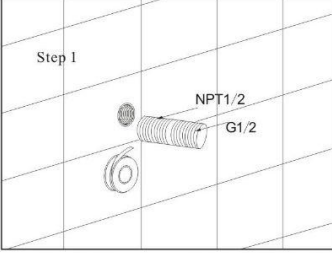
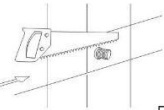
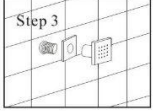
 <p>Height of valve body</p> <p>3~ 3 1/2 inch</p>		
<p>1. Confirm the installed place of the pressure balance valve and fixed on the wood block .</p> <p>valve depth in tile wall: 3~3 1/2 inch</p>	<p>2. Connect the hot&cold inlet tube and outlet tube,then make sure the tube fix stable on the wooden wall.</p>	<p>3. Please cut the size of the tile hole according to the size and shape of the protected cover (about 5mm bigger than the protected cover from each side).And please put the tile outside the wooden wall (please noted that we keep the same central point for the tile hole with the protected cover).</p>
		
<p>4. Install the water proof cover to the N-box with glume,fix the steel plate, then install the handle levers.</p>	<p>5. Put on the handle,then tight the screw,</p>	

◆ Installation step

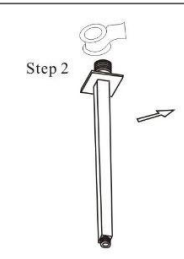
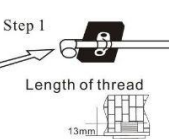
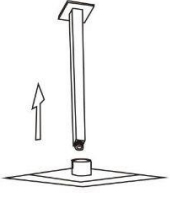
thermostatic shower faucet

 <p>24 INCH</p>	 <p>Finished wall marking</p> <p>24 inch</p>
<p>1. drill two holes and the distance is 23.9 ~24.1 inch</p>	<p>3 tighten the two screws at the up and down sides.</p>
	
<p>2. install fittings into the tile wall like the photo</p>	

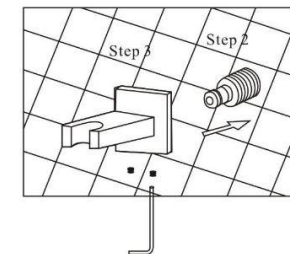
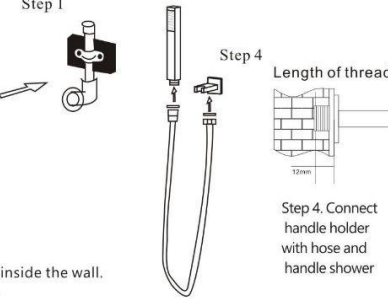
◆ Install the massage shower

 <p>Step 1</p> <p>NPT1/2</p> <p>G1/2</p>	 <p>Step 2</p>
 <p>Step 3</p> <p>Step 1. Wrap the tooth tube NPT1/2 with teflon tape and screw into the wall Step 2. Cut off excess part with a saw Step 3. Cover the decoration cup, then screw the massage shower in</p>	

◆ Install the rain shower head

 <p>Step 2</p>	 <p>Step 1</p> <p>Length of thread</p> <p>13mm</p>	 <p>Step 3</p>
<p>Step 1. Wrap the teflon tape on the thread Step 2. Clockwise rotation of the ceiling arm to the pipe Step 3. The rain shower head connects to the arm.</p>		

◆ Install the handheld shower head

 <p>Step 1</p> <p>Step 2</p> <p>Step 3</p>	 <p>Step 4</p> <p>Length of thread</p> <p>12mm</p>
<p>Step 1. Screw the thread into the water pipe inside the wall. Step 2. Screw the main body into the thread. Step 3. Rotate and fix with the alien wrench Step 4. Connect handle holder with hose and handle shower</p>	

Installation Step

Multi-function Thermostatic Concealed Shower

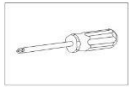
INSTALLATION Tools You Will Need :



Adjustable wrench



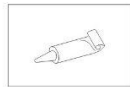
Hexagon wrench



Phillips Screwdriver



Pipe Tape



Glue

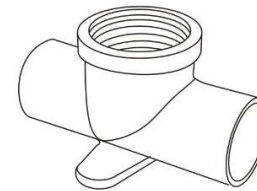
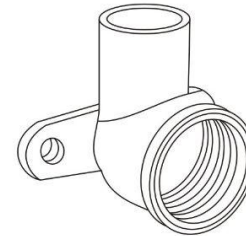
Notes before installation :

1. Please check that all components are available.
2. Before installation ensure that all feed lines are clear of debris and on/off valve is available.
3. Ensure water pressure is between 20-125 PSI (includes combination of hot and cold feed lines).
4. Pictures in the manual are general in content and may not represent exactly your purchased faucet. If you are having difficulties please contact a professional plumber.
5. If you will be away from home for an extended period you should shut off the main water supply.

Daily maintenance

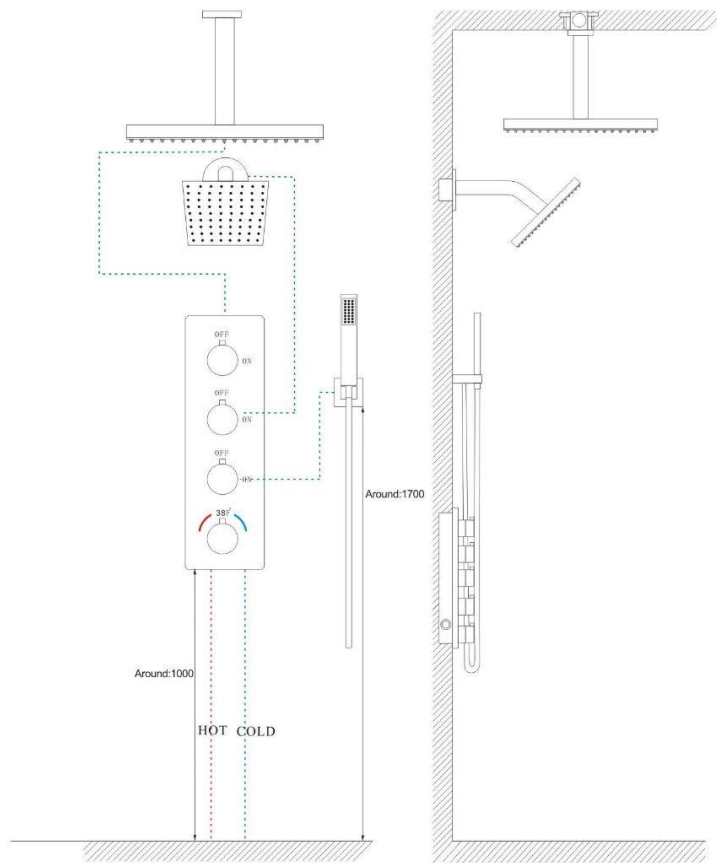
1. Use a soft cloth and vinegar to remove hard-water spots.
2. Check aerator (if present) regularly for calcium build up are when water stream is not optimum.
3. DO NOT use caustic cleaning products as the use will break down finish and will void the product warranty.
4. Acceptable cleaners include vinegar or mild non-abrasive liquid detergents.
5. If the water pressure appears to be less than optimum remove, inspect, clean or replace aerator

You need to purchase this accessory to install



1/2 inch inlets 3-way thermostatic shower faucet

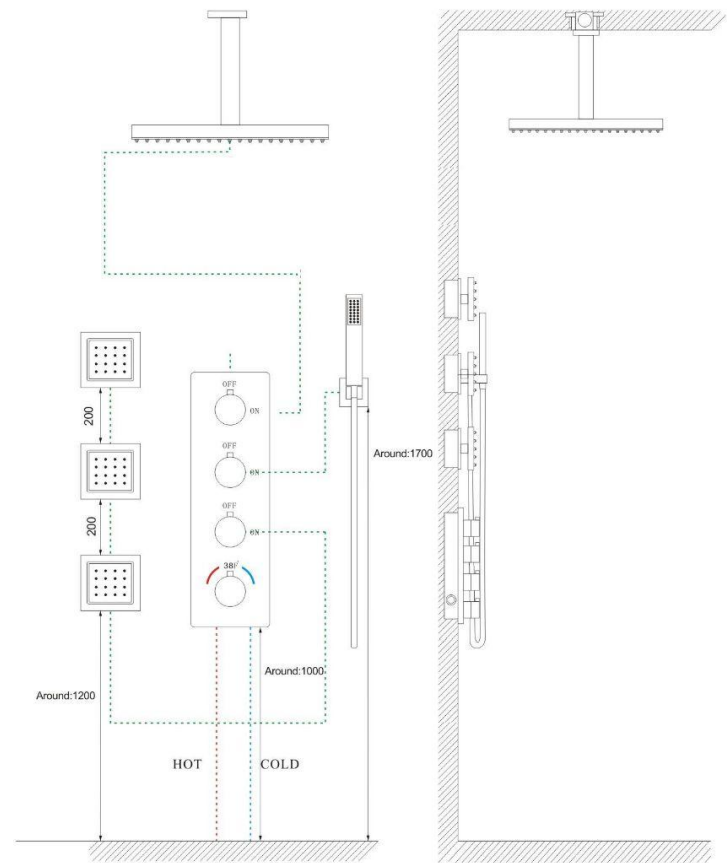
no body jets



3

1/2 inch inlets 3-way thermostatic shower faucet

with body jets



4