

THERMOSTATIC SHOWER Series INSTALLATION GUIDE

WITH DIGITAL DISPLAY



A9102Q4C20G2B6Z2

A9109Q4C20G2B6Z2

A9103Q4C20G2B6Z2

A9101Q4C20G2B6Z2



A9622Q4MBB6Z2

A9622Q4BNB6Z2

A9622Q4CMB6Z2

A9622Q4BGB6Z2

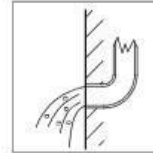
◆ **Installation Condition**
 ◆ **Conditions d'installation**

1. Check the accessories list to verify that all parts are complete in this package.
2. Do not disassemble the main body by yourself.
3. Connect inlet pipes to supply valves.
4. Make sure inlet pipes and supply valves have no impurities and are cleaned, with no impurities in the pipeline.
5. After installation, check all joints for leakages.
6. Do not leave the rain shower system exposed to a severely corrosive environment.

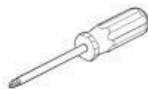
1. Vérifiez la liste des accessoires pour vérifier que toutes les pièces sont complètes dans ce colis.
2. Ne démontez pas le corps principal vous-même.
3. Connectez les tuyaux d'entrée aux vannes d'alimentation.



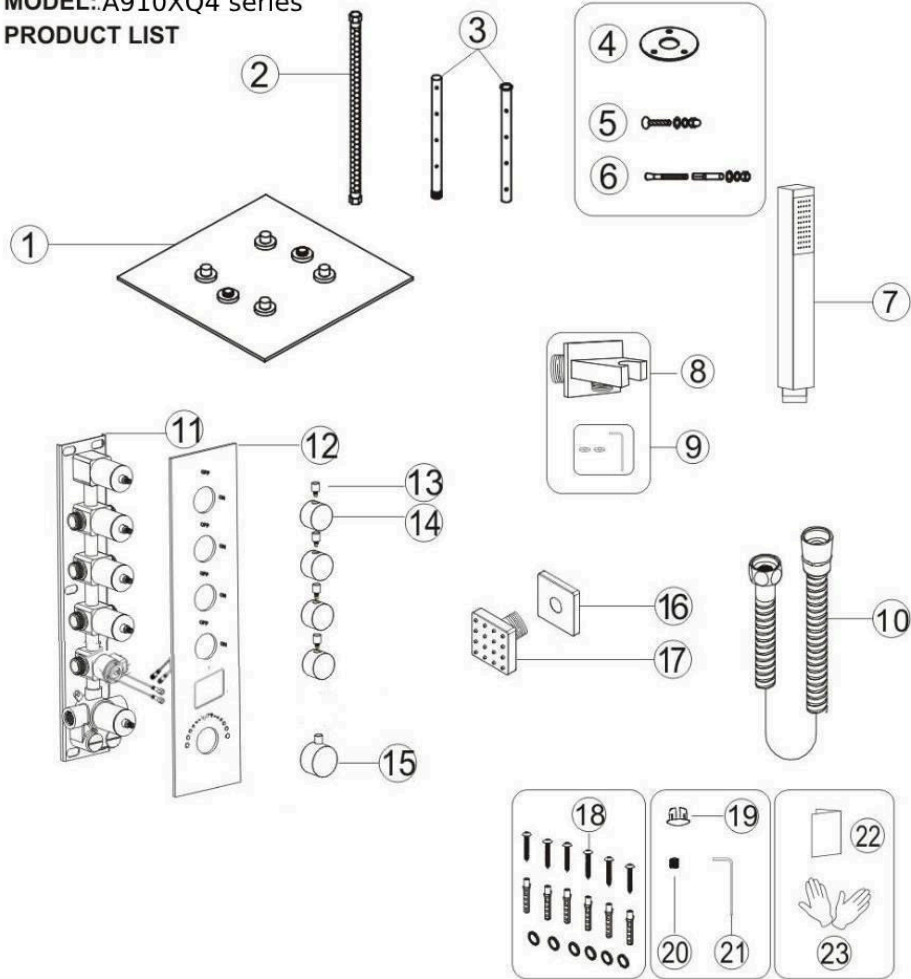
4. Assurez-vous que les tuyaux d'entrée et les vannes d'alimentation ne présentent aucune impureté et sont propres, sans impuretés dans la canalisation.
5. Après l'installation, vérifiez toutes les joints pour détecter les fuites.
6. Ne laissez pas le système de douche de pluie exposé à un environnement très corrosif.



YOU MAY NEED:
VOUS POURRIEZ AVOIR BESOIN:

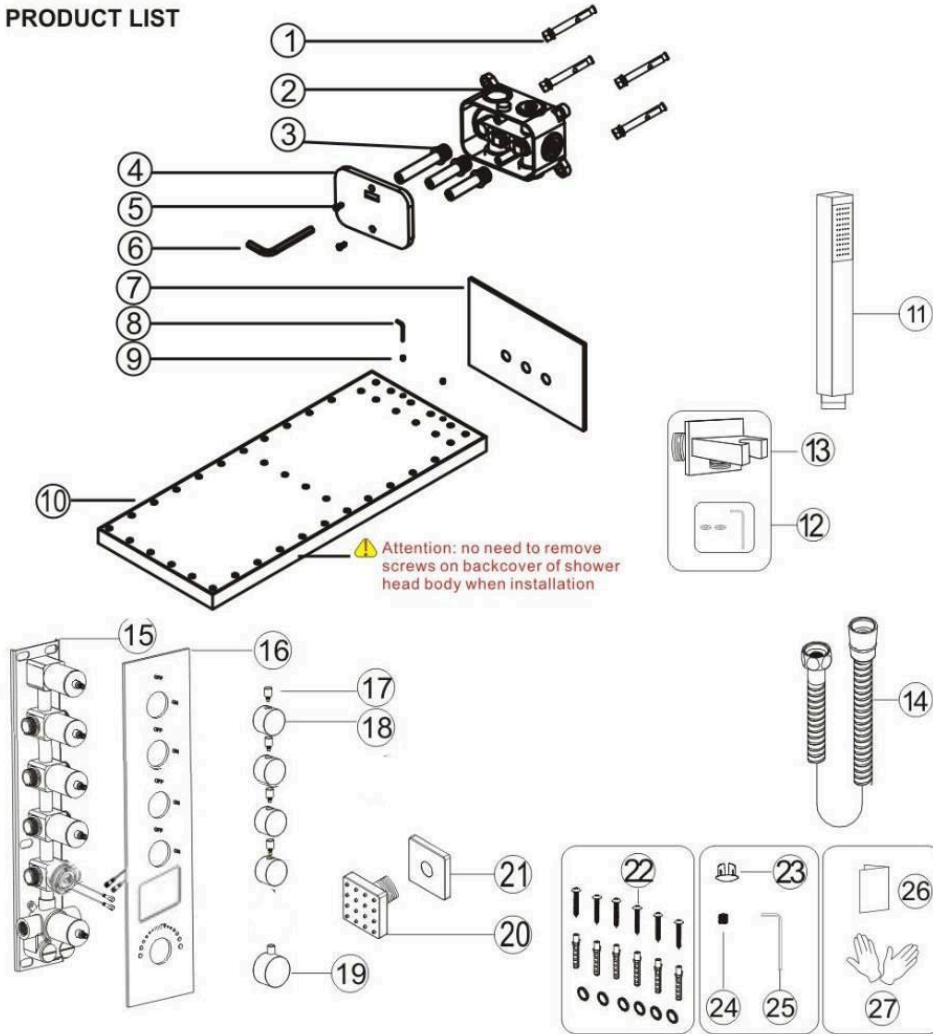


◆ MODEL: A910XQ4 series
PRODUCT LIST



No.	Part name	Qty	No.	Part name	Qty
1	Shower head	1	14	Water diverter	4
2	Shower head Hose	2	15	Handle	1
3	Fixed rod	4	16	Body jet cup	6
4	Flange plate	4	17	Body jet	6
5	Screw	4	18	Main body gasket parts	6
6	Set screw	12	19	Handle cap	1
7	Shower hand	1	20	Screw	1
8	Hand shower holder	1	21	Wrench	1
9	Holder parts	1	22	Instruction manual	1
10	Shower hose	1	23	Gloves	2
11	Main body	1			
12	Panel	1			
13	Water diverter rod	4			

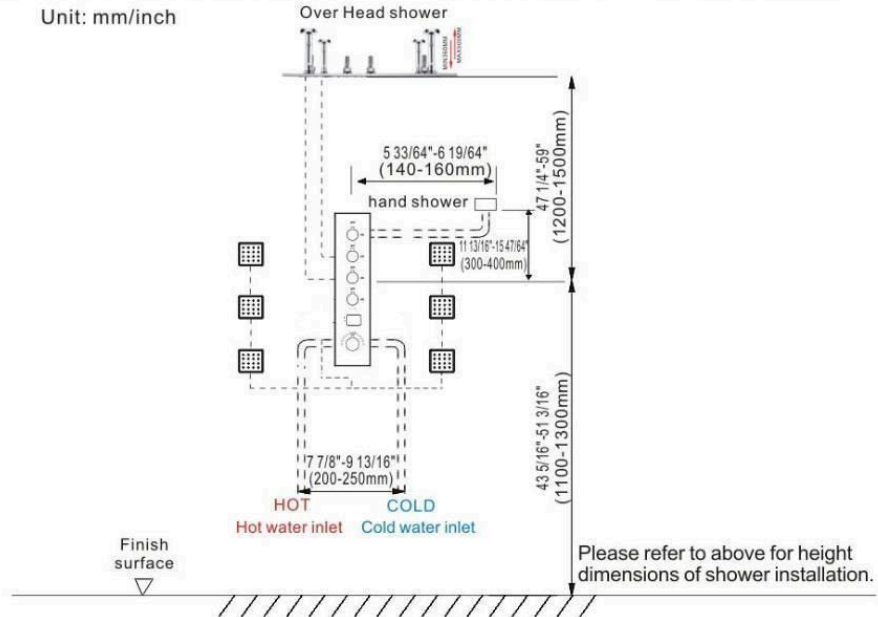
◆ MODEL.. A9622Q4 series
PRODUCT LIST



No.	Part name	Qty	No.	Part name	Qty	No.	Part name	Qty
1	Expansion scr ews	4	11	Shower hand	1	21	Body jet cup	6
2	Inwall box	1	12	Holder parts	1	22	Main body gasket parts	6
3	Water inlet	3	13	Hand shower holder	1	23	Handle cap	1
4	Cover	1	14	Shower hose	1	24	Handle screw	1
5	Screw	2	15	Main body	1	25	Handle Wrench	1
6	S8 Allen key	1	16	Panel	1	26	Instruction manual	1
7	Flange	1	17	Water diverter rod	4	27	Gloves	2
8	Allen key 2.5	1	18	Water diverter	4			
9	M4 screw	2	19	Handle	1			
10	Shower head body	1	20	Body jet	6			

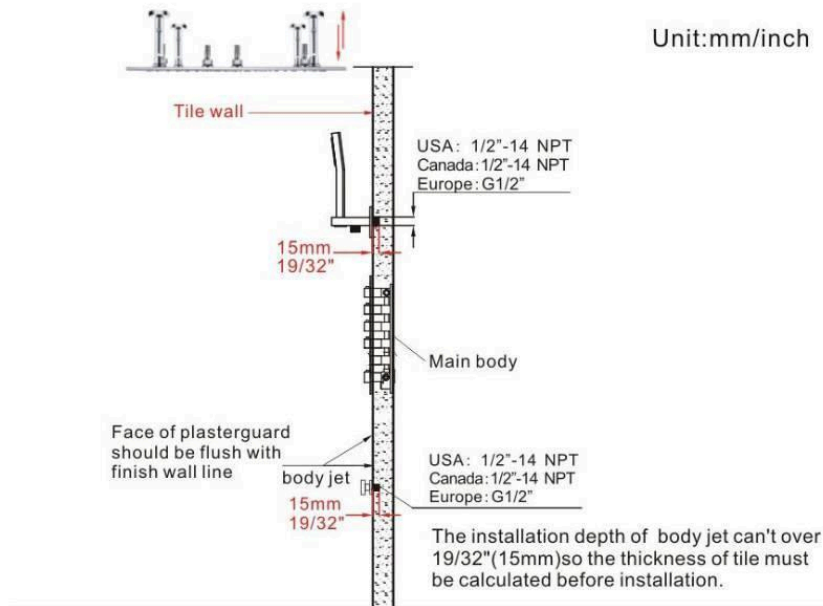
◆ **MODEL: A910XQ4 series (X=1,2,3,6,9)**

INSTALLATION SHOWER SET SIZE & WATER PIPE LINE REFERENCE

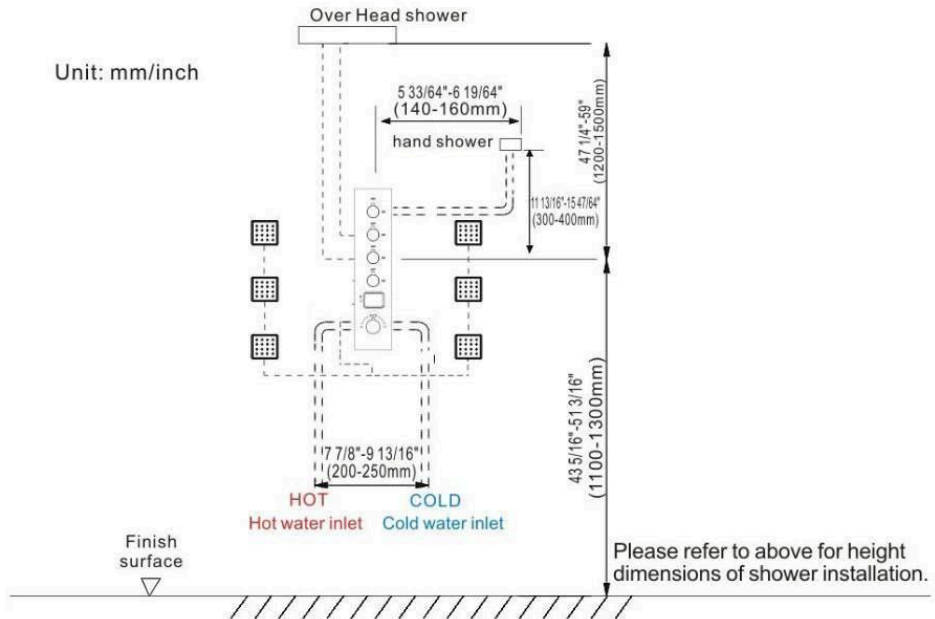


◆ **MODEL: A910XQ4 series (X=1,2,3,6,9)**

INSTALLATION DEPTH OF SHOWER HOLDER & BODY JET

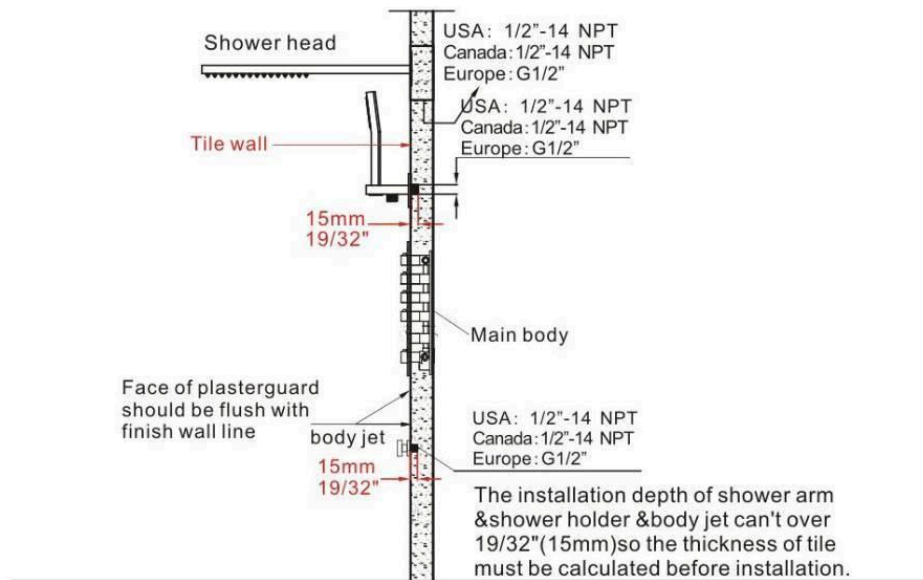


◆ **MODEL: A9622Q4 series**
INSTALLATION SHOWER SET SIZE & WATER PIPE LINE REFERENCE



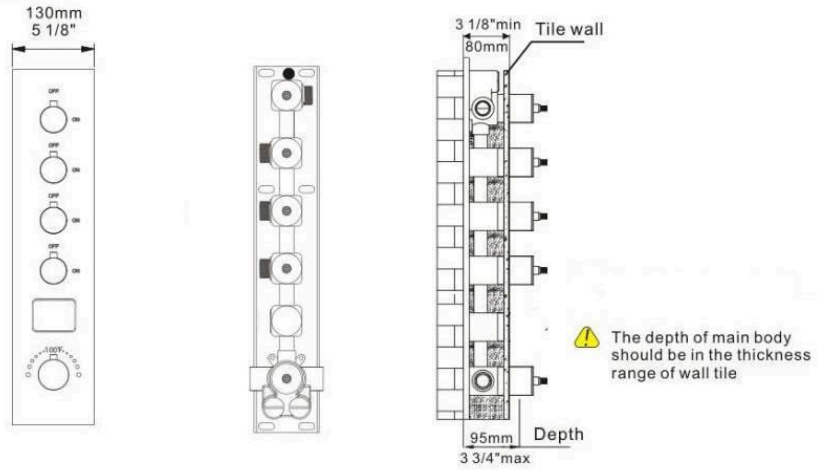
◆ **MODEL: A9622Q4 series**
INSTALLATION DEPTH OF SHOWER HOLDER & BODY JET

Unit: mm/inch

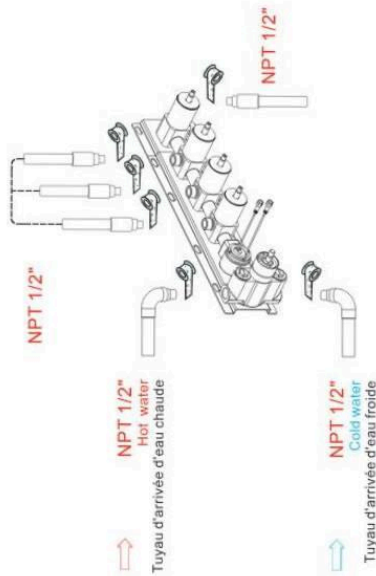


INSTALLATION DEPTH OF MAIN BODY

Unit: mm/inch



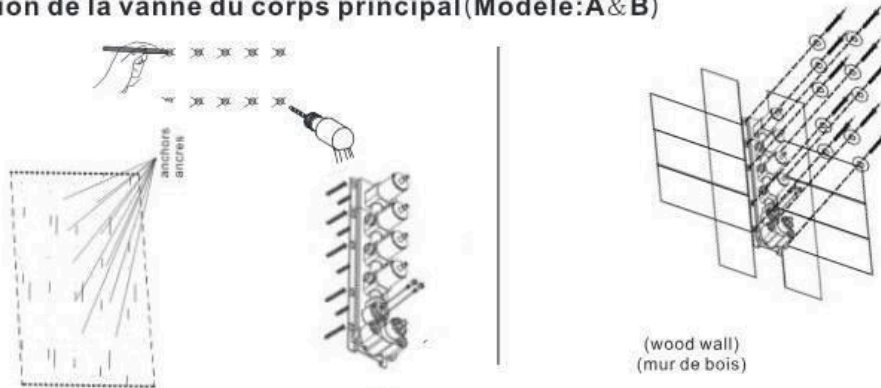
Notice: The thickness of tile must be calculated before installation. The installation depth of main body should be no less than 3 1/8" (80mm) min and no more than 3 3/4" (95mm) max, including the thickness of ceramic tile. Otherwise, the panel cannot be installed.



hot and cold water pipeline: 1/2" or 3/4"

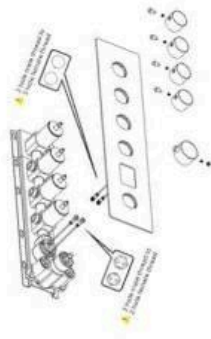
◆ **Main Body Valve Installation**
 ◆ **Installation de la vanne du corps principal (Modèle: A & B)**

Step 1
Étape 1



1. Make marks according to the size of the main body valve, and then drill anchors into the wall (concrete wall).
 2. Lock the main body to wood directly with screws (wood wall).
 3. When installing the main body, please mark the UP side up and do not install it upside down.
- ▲ Please note that the level meter should be parallel to the wall; otherwise, the deck plate cannot be installed.
1. faire des marques en fonction de la taille de la vanne du corps principal, puis percer des ancrages dans le mur (mur en béton).
 2. fixer le corps principal au bois directement à l'aide de vis (mur en bois).
 3. Lors de l'installation du corps principal, veuillez marquer le côté UP vers le haut et ne pas l'installer à l'envers.
- ▲ Veuillez noter que l'indicateur de niveau doit être parallèle au mur ; sinon, la plaque de pont ne peut pas être installée.

Step 2
Étape 2



Precautions for Handwheel Installation

- ※ 1. The line can't be misplaced; it should be kept in line. Otherwise, the water temperature of 100°F or 38°C will not be correct.

Précautions pour l'installation du volant

- ※ 1. la ligne ne peut pas être mal placée ; elle doit être maintenue en ligne. Sinon, la température de l'eau de 38°C ou 100°F ne sera pas correcte.



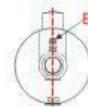
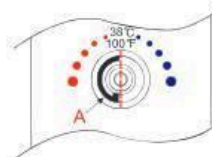
- ※ 2. Please ensure that the plastic locating ring (A) and handwheel locating pin (B) are kept in the same line with 100°F or 38°C. Otherwise, the water temperature will be incorrect.
- ※ 2. Veuillez à ce que l'anneau de positionnement en plastique (A) et la goupille de positionnement du volant (B) soient placés sur la même ligne que 100°F ou 38°C. Dans le cas contraire, la température de l'eau sera incorrecte.

Do not remove the white wear ring; otherwise, the handwheel will be damaged.

Ne pas retirer l'anneau d'usure blanche, sous peine d'endommager le volant.

Water flow control: clockwise Turn-down and stop, anti-clockwise Turn-up to max

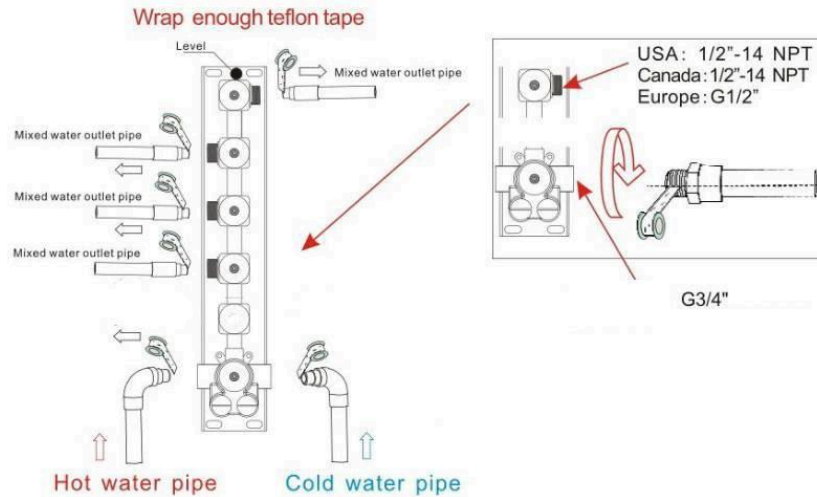
Contrôle du débit d'eau : dans le sens des aiguilles d'une montre Descente et arrêt dans le sens inverse des aiguilles d'une montre Augmentation jusqu'au maximum



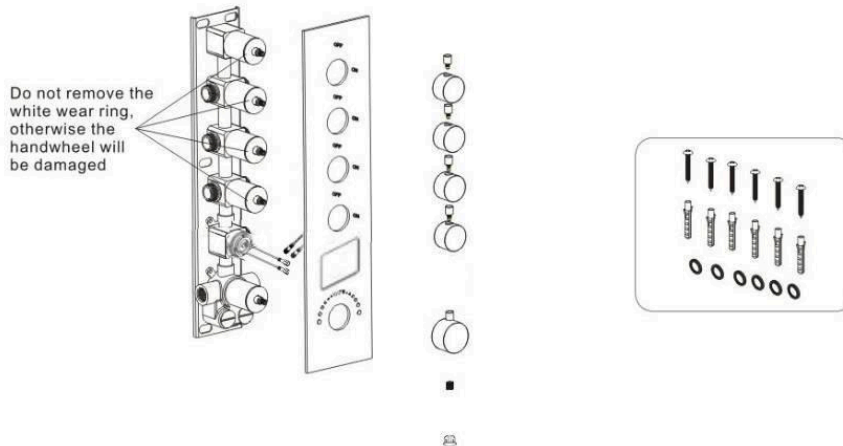
1. Please install the deck plate, water diverters, and water diverter rods step by step.
 2. Install the handle with the screw and handle cap.
1. installez la plaque de pont, les déviateurs d'eau et les tiges de déviation d'eau étape par étape.
 2. installer la poignée à l'aide de la vis et du capuchon de poignée.

◆ **MODEL:**
MAIN BODY CONNECTING PIPE SCHEMATIC DIAGRAM

⚠ Warning: must install hot water and cold water inlet strictly as instructions.

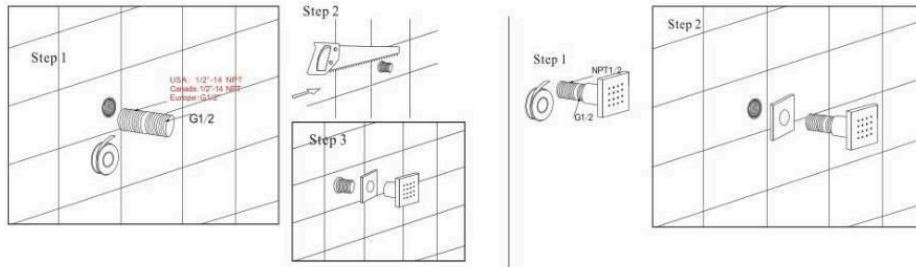


1. As shown in the figure, the inlet and outlet pipes are pre-buried. Please pay attention to the correct direction of installing the pre-buried main body, and make sure that the mark level on the top of the installation box is facing upward.
2. Install the hot and cold water inlet pipes and three mixed water outlet pipes connected to shower head, hand shower holder and body jet pipes separately.
3. Before tiling, turn on the water to test whether the left and right inlet pipes are tightly connected without leakage. Then, adjust the flow switch to be on to check the mixed outlet pipes for leakges.



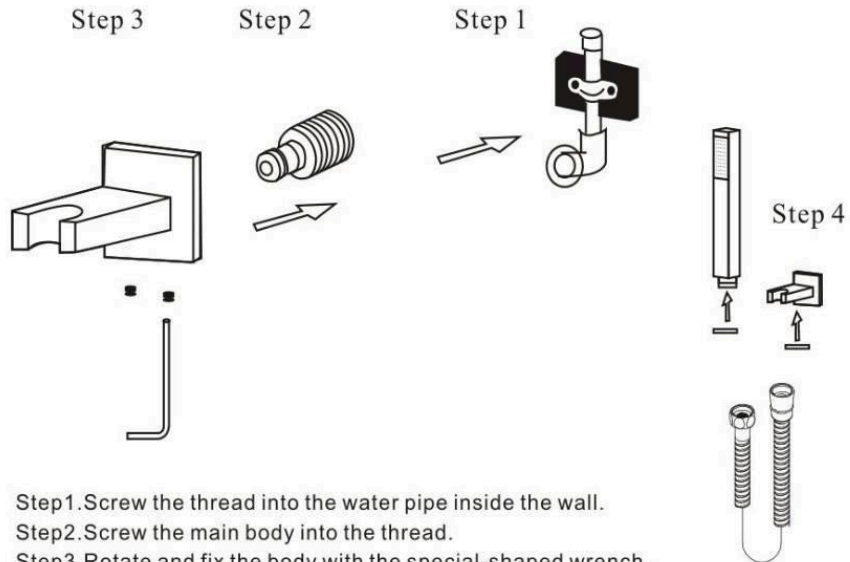
Use body box fittings to fix main body on the wall and then install panel, water diverters, water diverter rods and handle step by step.

INSTALLATION OF BODY JET



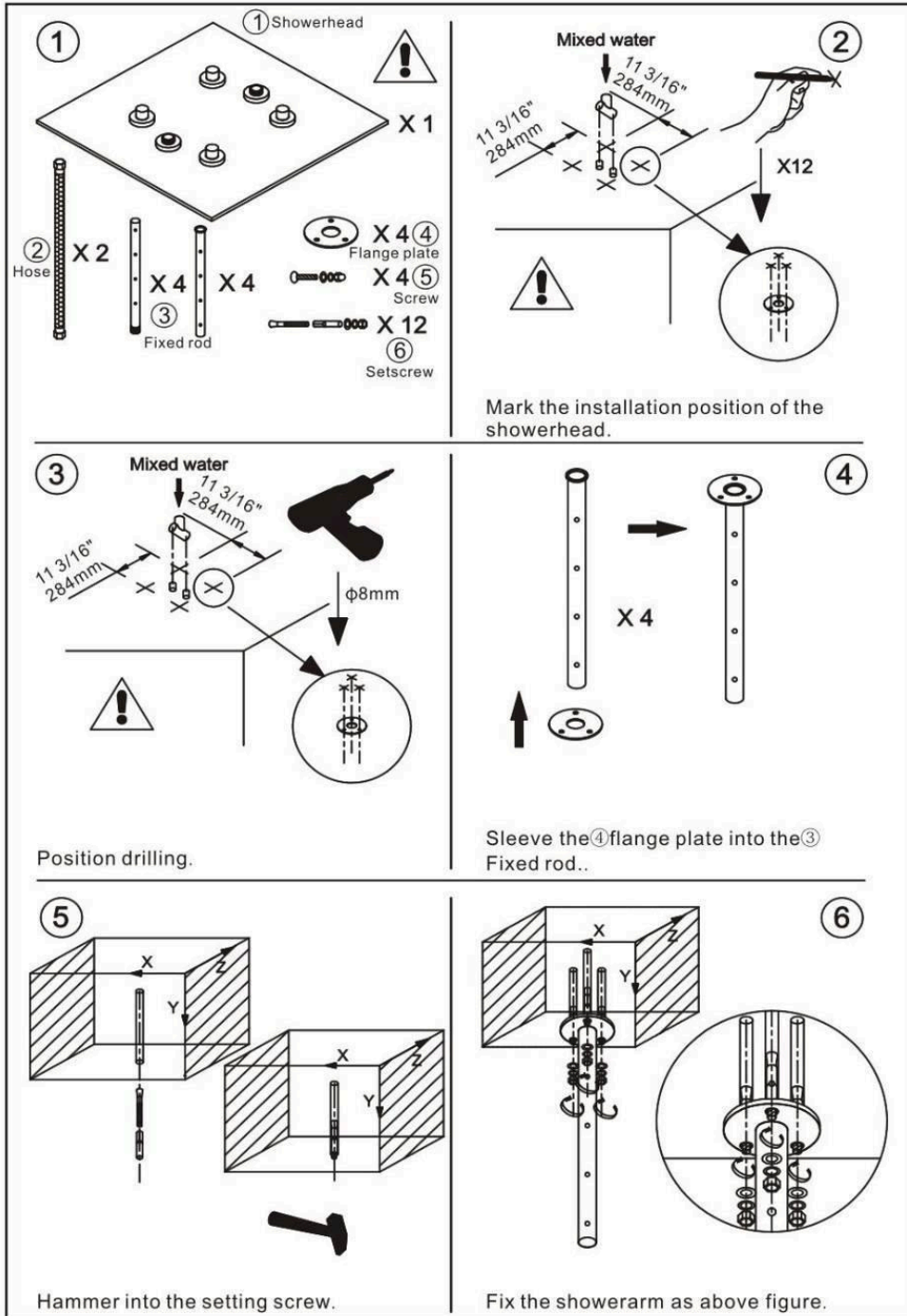
- Step 1. Wrap the threaded pipe of NPT (G1/2") with Teflon tape and screw it into the wall.
 Step 2. Cut off excess part with a saw.
 Step 3. Put on the decoration cap, then screw the massage shower in.

Install the hand shower holder



- Step 1. Screw the thread into the water pipe inside the wall.
 Step 2. Screw the main body into the thread.
 Step 3. Rotate and fix the body with the special-shaped wrench.
 Step 4. Connect hand shower and the hose.

SHOWER HEAD INSTALLATION



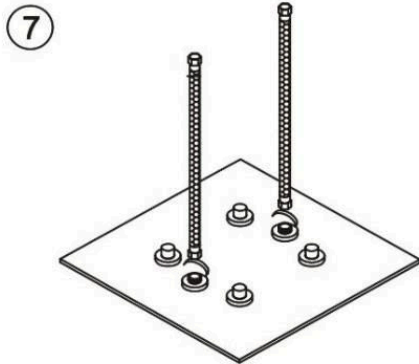
Mark the installation position of the showerhead.

Position drilling.

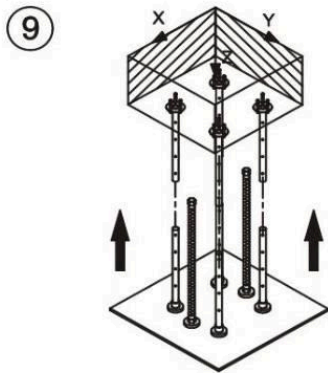
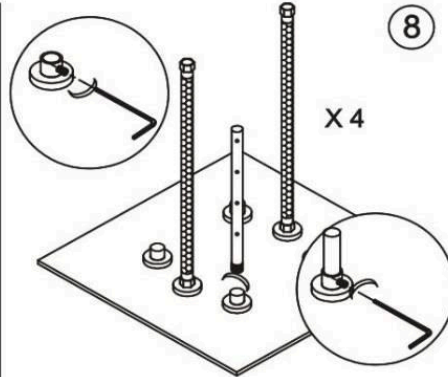
Sleeve the **4** flange plate into the **3** Fixed rod..

Hammer into the setting screw.

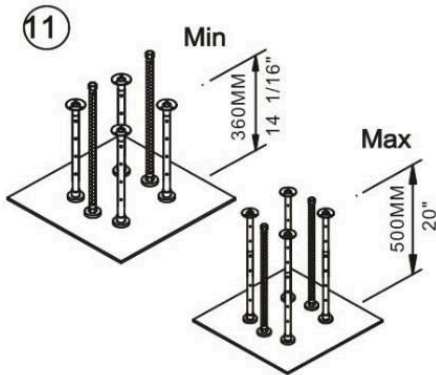
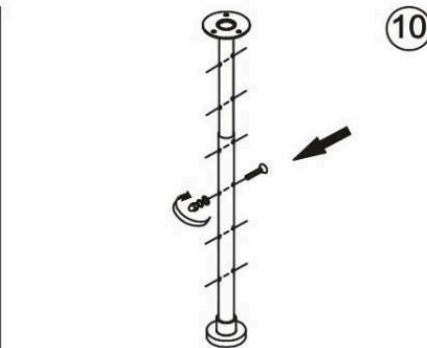
Fix the showerarm as above figure.



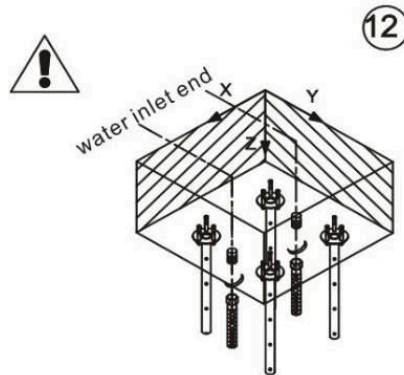
Connect the ②Hose inlet water pipe.



Install the showerhead according to the left figure, fix the showerarm with screw according to the right figure.



Adjust the showerhead height (refer to Figure ⑩after confirming the height).

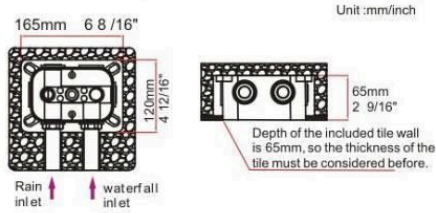


The water inlet end of two-function showerhead is connected with the control valve.

◆ **MODEL:** A9622Q4 series

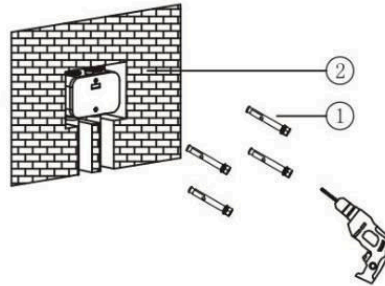
22IN SHOWER HEAD INSTALLATION

1. Digging wall according to following size, and connect rain and waterfall inlet correctly

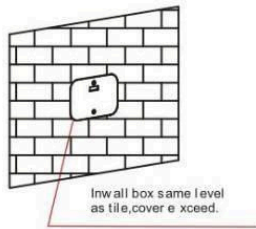


⚠ If the Inwall box is embedded too deep, the shower head will not be installed properly and it will cause water leakage and sag problems. Please pay special attention to the installation depth.

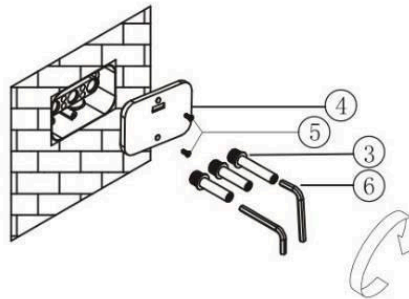
2. Lock Inwall box refer to level meter guarantee horizontal level and test leaking for 24 hours.



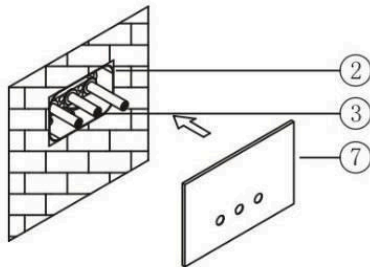
3. Remain inwall box in same level as wall after seal the tile and cover exceed wall.



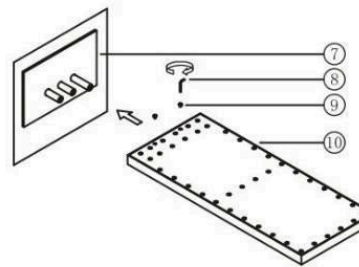
4. Install Shower head body. First remove box cover and plug, screw three water inlets into inwall box with S8 Allen Key. Longest role is support.



5. Install Flange as picture. Caution: do setp 4-5-6 to test horizontal and vertical position of shower head before wall seal to avoid any trouble of repair after wall seal.



6. Push shower head body into according water inlets, and tighten shower body by M4 screw with Allen key 2.5.



◆ **CARE AND MAINTENANCE**

In order to keep the mixer surface bright , please clean the mixer regularly.

Rinse faucet with clean water and wipe with soft cotton cloth.

Avoid using cleaning powder , harsh cleaning chemicals, brushes, and cloth with coarse surface to prevent scratching and corrosion.

Do not use acid cleaner to clean the faucet as it may cause surface corrosion of the faucet. If the faucet comes into contact with harmful acid substances, please rinse it with water immediately.



◆ **IF A LARGE-SCALE CLEAN-UP IS NECESSARY, FOLLOW THESE PROCEDURES**

1: Use clean water and soft cloth to remove dirt on the surface as much as possible.

2: Use one of the following cleaners to remove dirt on the surface

 Mild liquid cleaner.

 Colorless glass cleaner, powder cleaner which does not have abrasive function and can be dissolved completely.

 Polish liquid which does not have abrasive function.

3: After cleaning, remove the cleansing agent with clean water completely and wipe with soft cotton cloth.