

Use And Care Instructions:

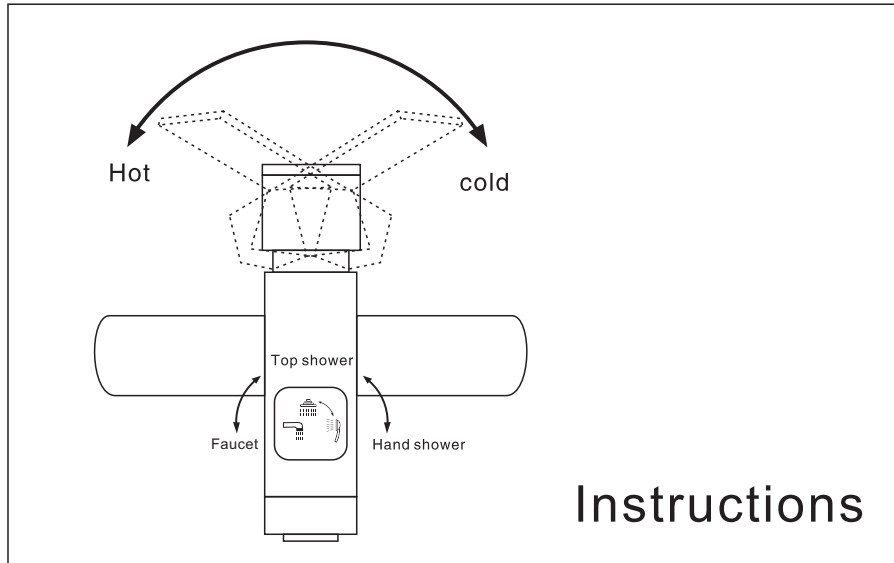
◆ Rain shower/ Handheld Shower Switch

Turn the switch to the “Top shower logo” and it will be the rain shower mode.

Turn the switch to the “Hand shower logo” and it will be handheld shower mode.

◆ Temperature Switch

The Logo “H” stands for Hot Water, “C” Stands for Cold Water, you can manually adjust the temperature by turning the handle to the H/C side



In order to keep your shower system look perfectly, we suggest cleaning the shower system regularly.

Please obey the following procedure when you clean the mixer.

1. Use clear water and the soft cloth to clean the dirt.

2. Use the any following cleanser to remove the dirt.

■ Gentle liquid detergent.

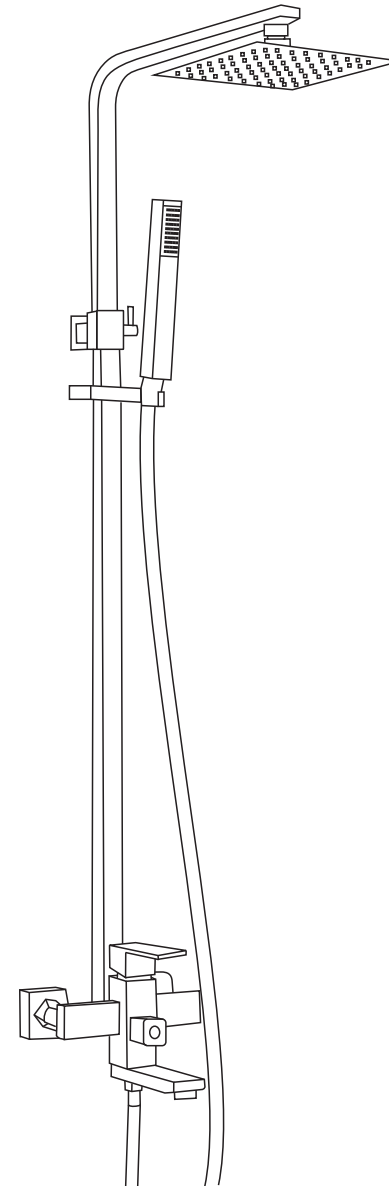
■ Colorless cleanser.

3. Please clean and remove all the cleanser after finish the cleaning, and dry with the soft cotton cloth.

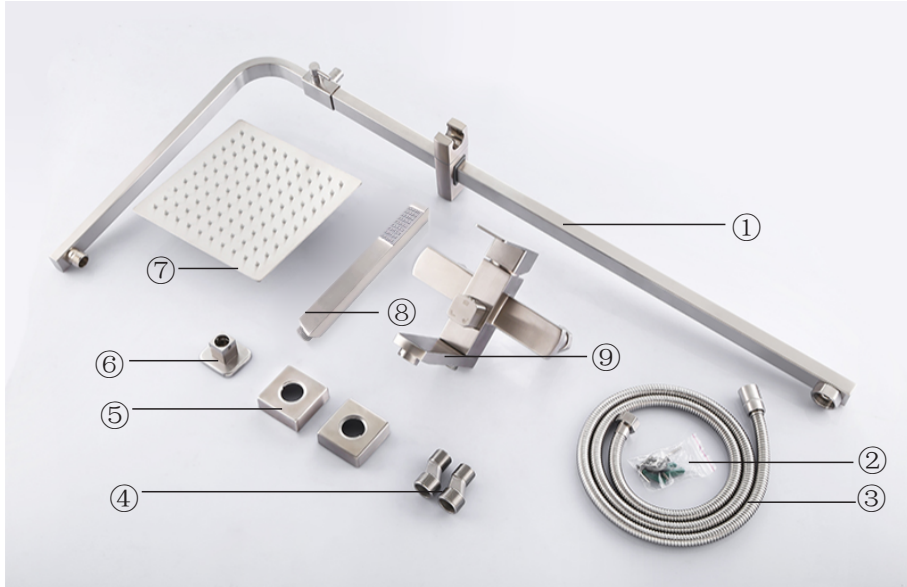
◆ Avoid using polishing powder or cleaning powders including coarse particles for cleaning

◆ Avoid using acidic detergent for cleaning

Rain Shower System Instruction Manual

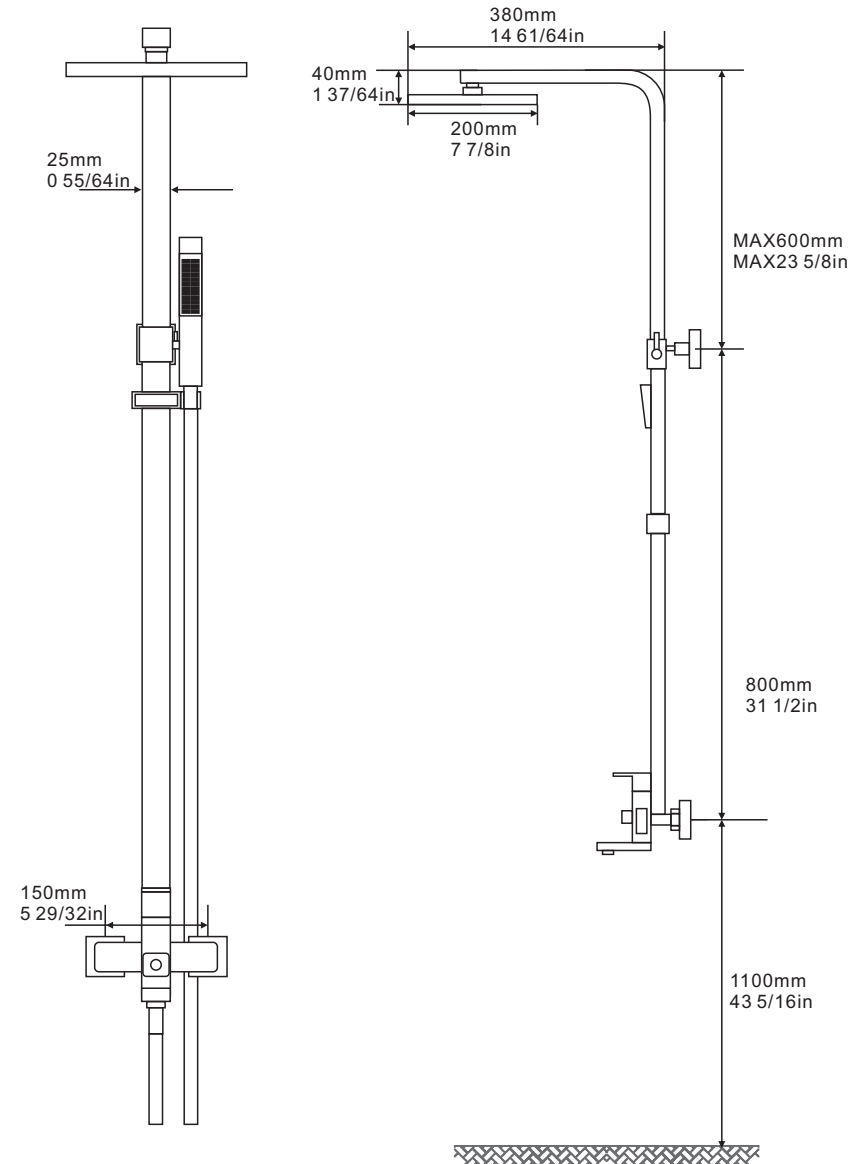


Packing List

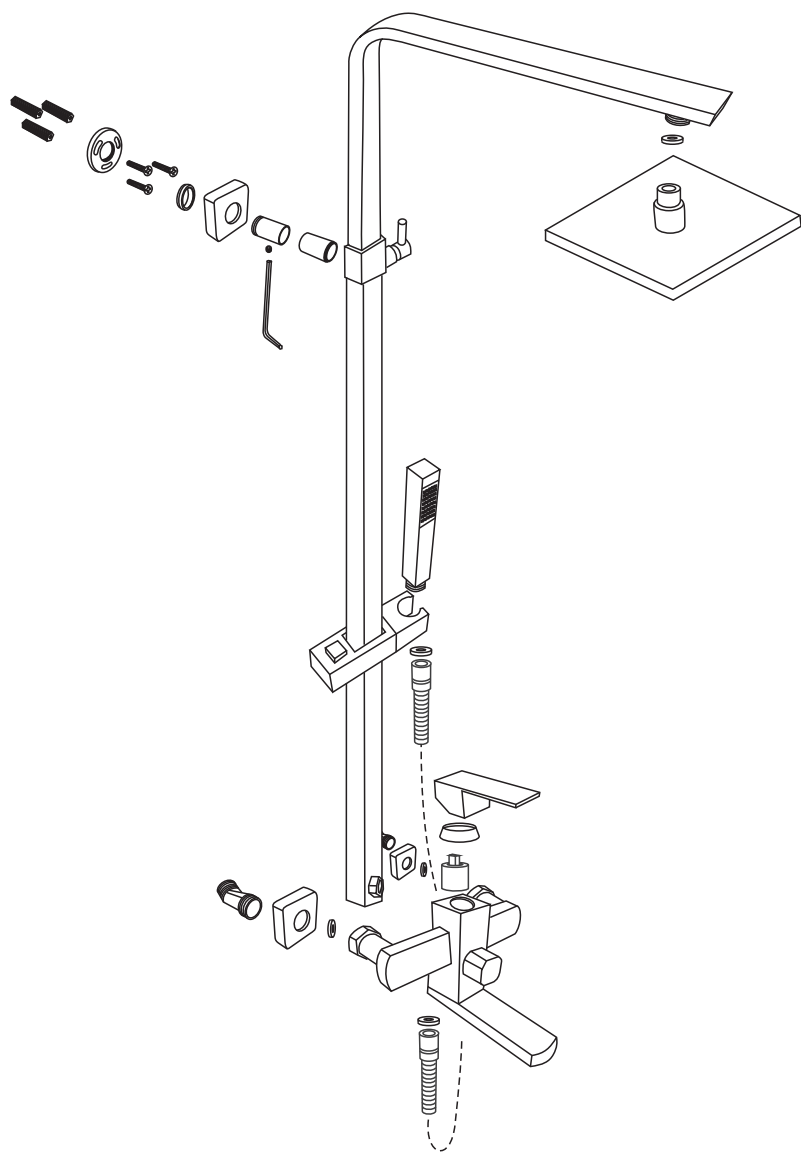


Num	Accessories	Quantity
1	Shower bar	1
2	Spare parts	1
3	Shower hose	1
4	Connector	2
5	Decorative cover	2
6	Fixed	1
7	Top shower head	1
8	Hand shower	1
9	Handle+valve body +spout	1

Product Dimensions

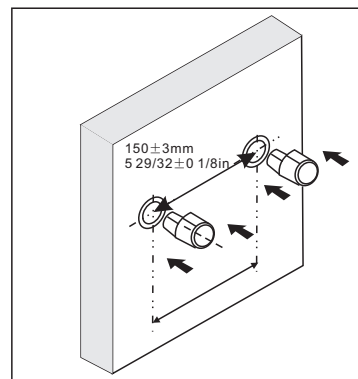


Installation Of Rain Shower System

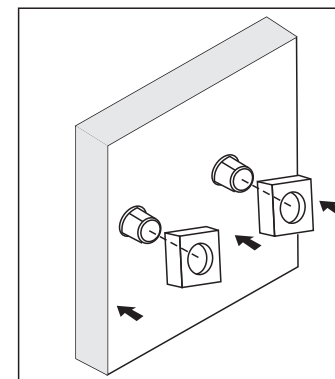


05

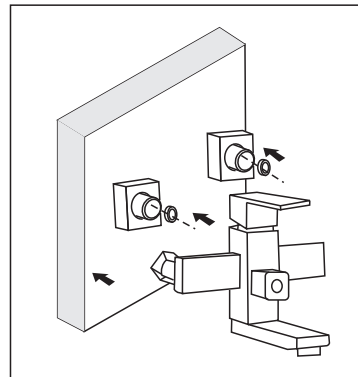
◆ Installation Steps



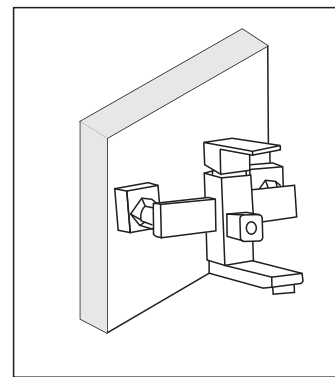
Step 1:
The intake/outlet pipes need to be wrapped with Teflon tape. Use a Teflon tape to wrap a few turns in the clockwise direction on the thread of the pipes.



Step 2:
Connect the water pipe with the embedded box.

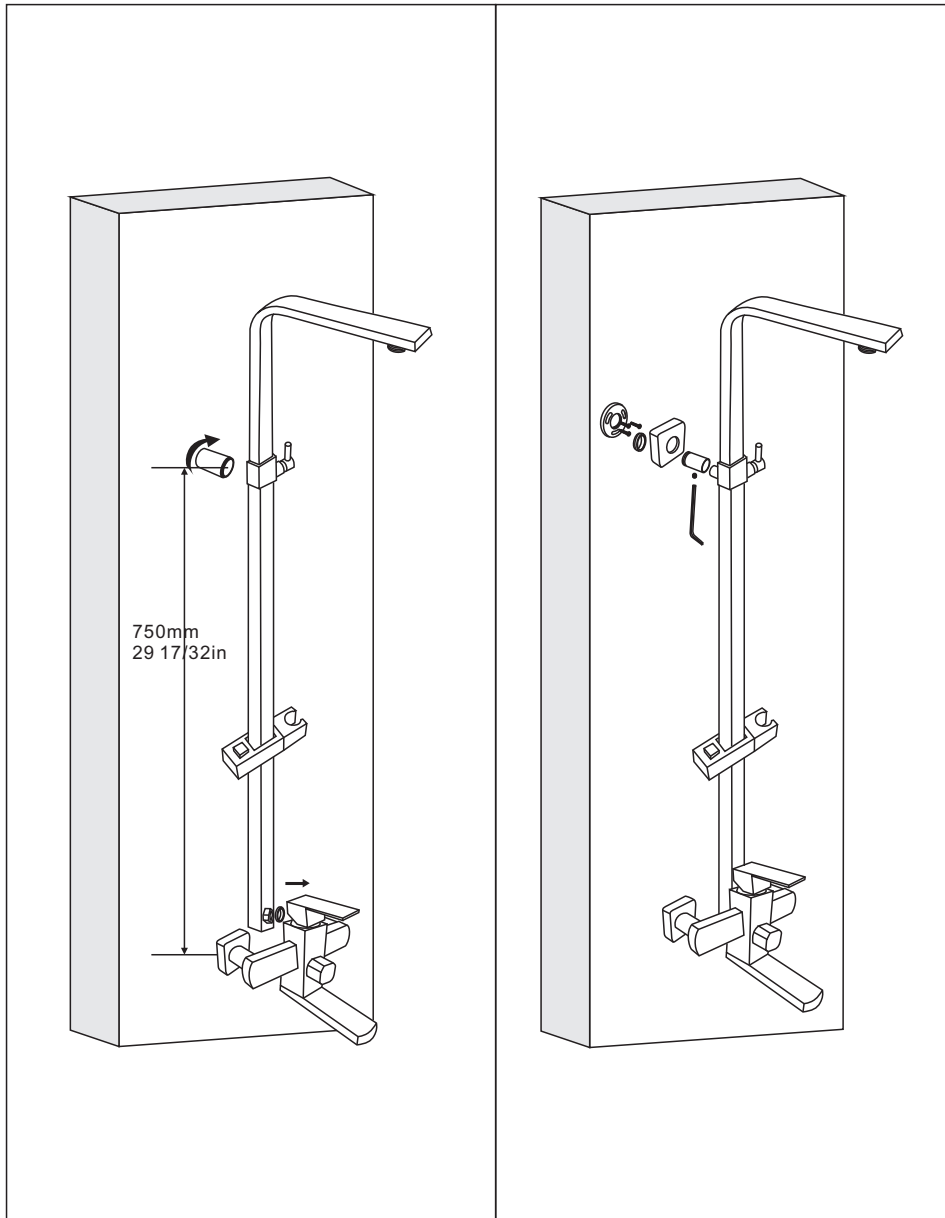


Step 3:
Confirm the location of the embedded box and the pipes. Then mark them.

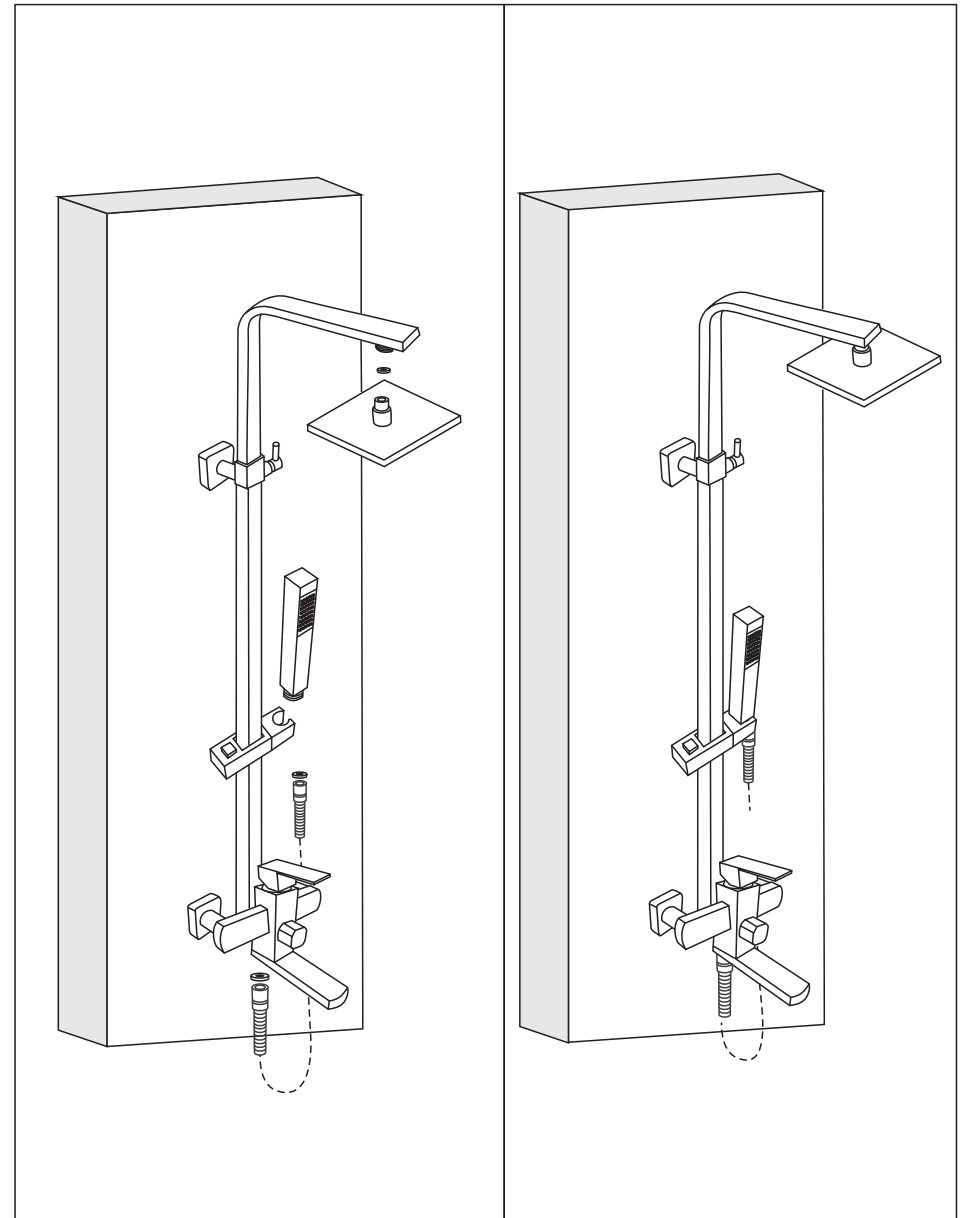


Step 4:
After confirm the location, dig out the routes of the pipes. And remove the embedded box and drill the hole. Then use the electric drill to drill white screws into the wall.

06



07



08