

LUXURY LED SHOWER

INSTALLATION INSTRUCTION

SHOWERING
WITH
ROMANTIC
AND FUN



Bluetooth music speaker



Remote control
LED light

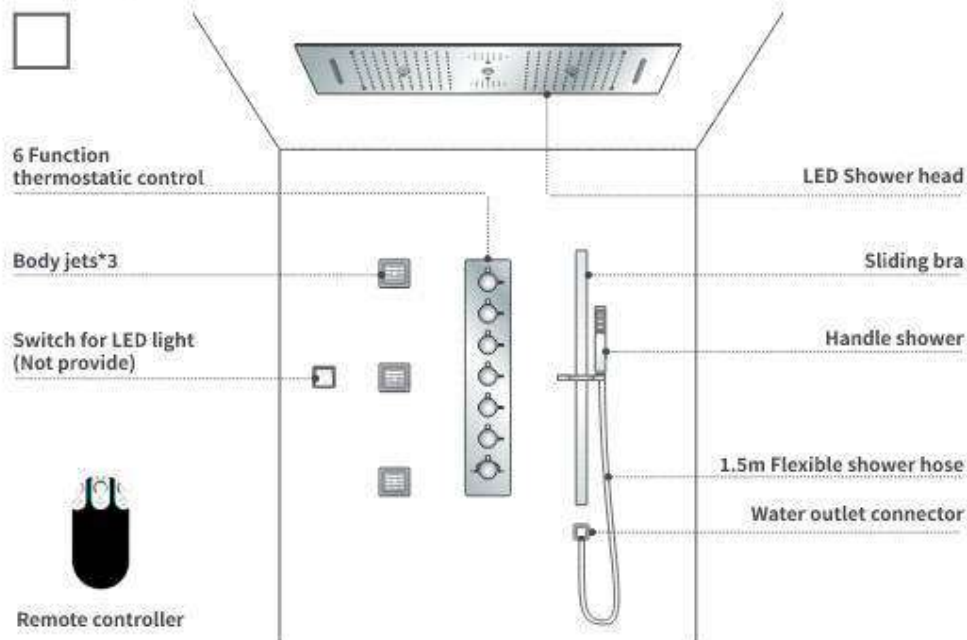


64 RGB
LED color

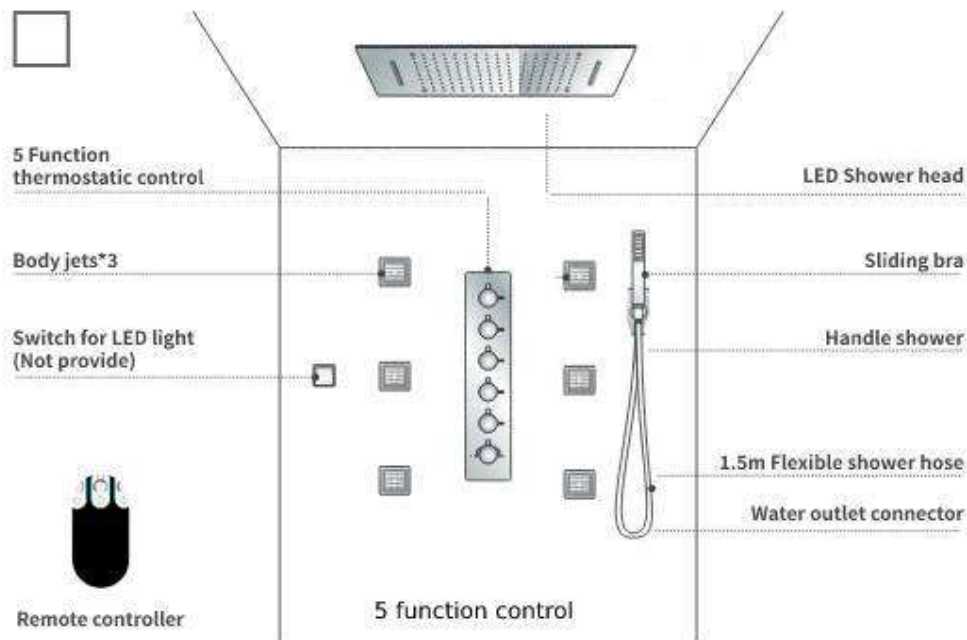
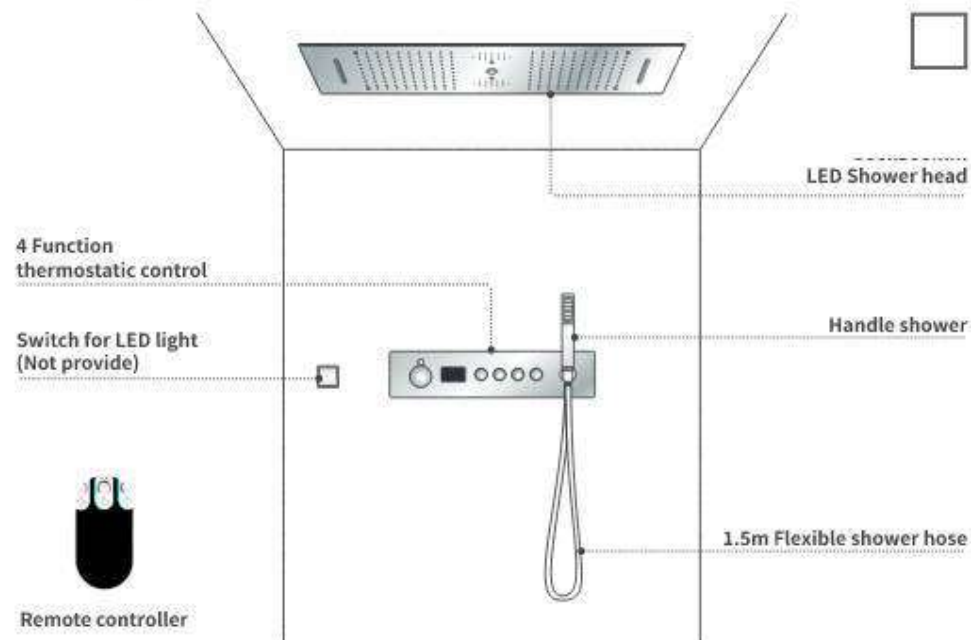
LED shower system installation instruction manual

SHOWERING WITH ROMANTIC AND FUN

Product Specification



Product Specification



Install Caution :

Please read carefully these instructions before proceeding with the product installation.

It is indispensable to flush through the supply pipes before installing and using the product.

Technical Data :

Operating pressure = 0,3 - 1MPa (3 - 10bar)

Large differences in pressure between the hot and the cold water supply should be balanced.

Recommended hot water temperature = 60° C - 70° C

Maximum hot water temperature = 70° C

Cleaning :

It is recommended to clean the tap with a soapy solution.

Never use cleaners containing acids, abrasives, or solvents.

Towel dry any water left on the product after each use to avoid water spots on its surface.

To avoid obstructions caused by scale build-up at the aerator it is recommended to periodically dismount it and submerge it in water with vinegar.

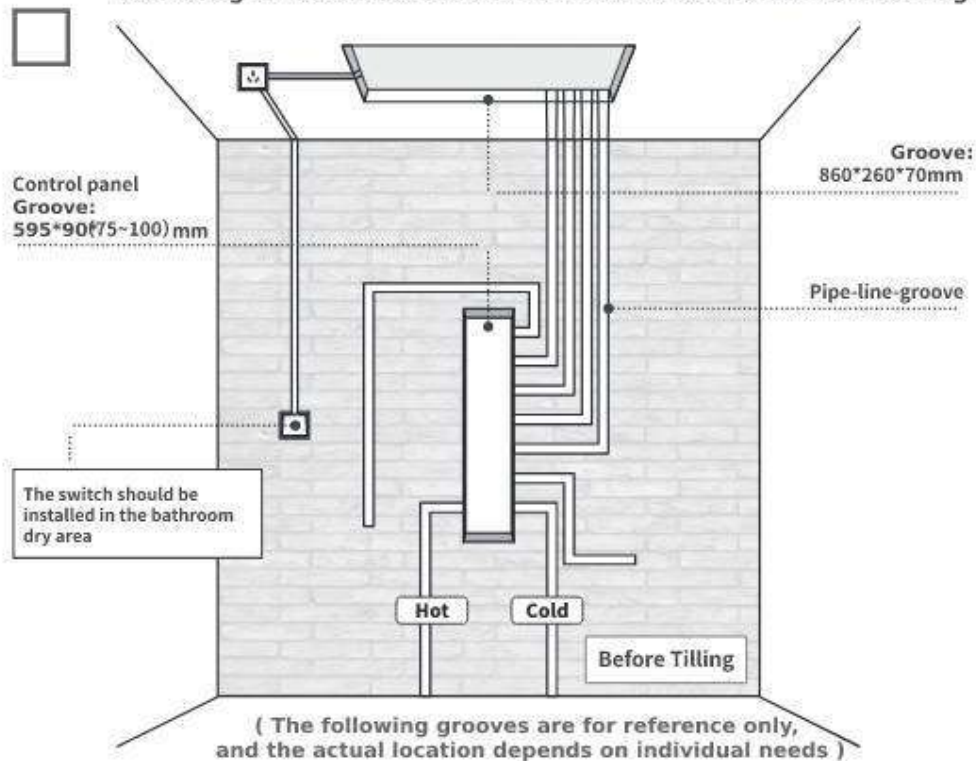
Cartridge Change :

It is essential to turn off the water supply system (angle valve or stopcock) and to close the pop-up waste before beginning with the cartridge change.

The stronger you tighten the cartridge nut, the harder the lever will move.

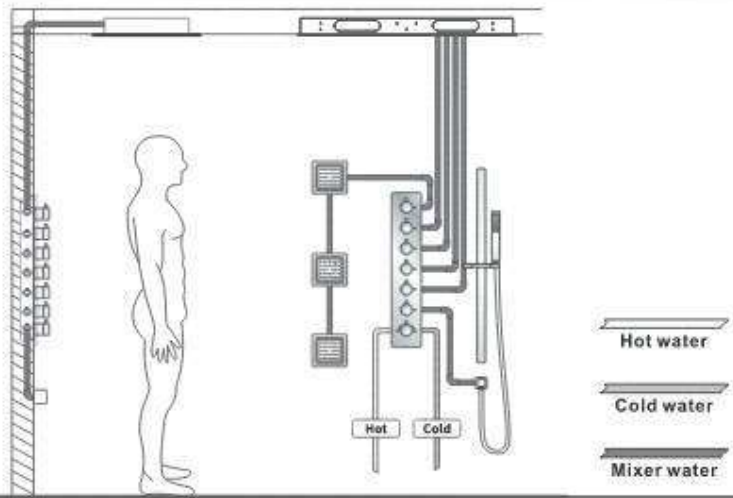
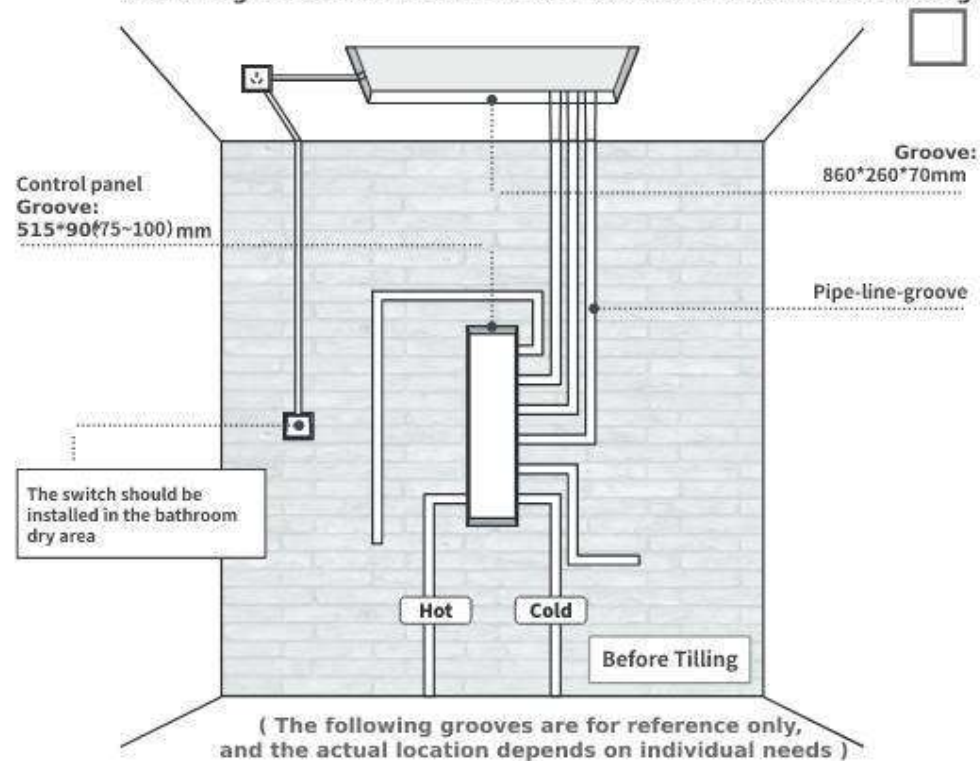
➤ Power / water pipe - layout 6.WAY VALVE BODY

Before installation, well plan the pipe groove in the required position for the product according to the actual installation location of the wall and ceiling.

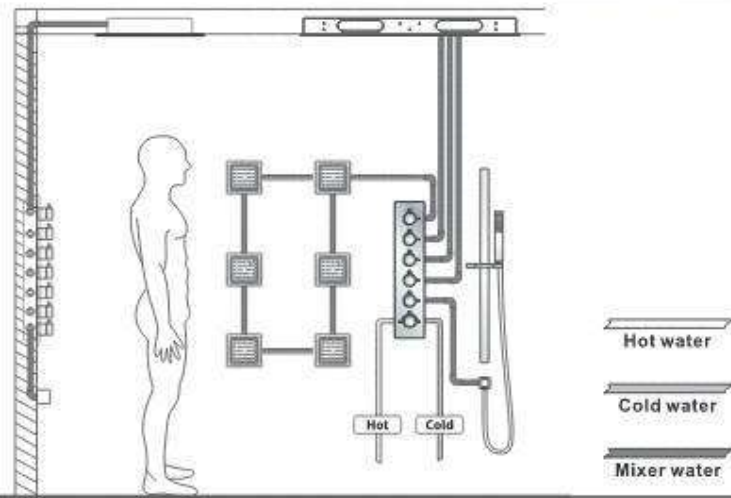


➤ Power / water pipe - layout 5 WAY VALVE BODY

Before installation, well plan the pipe groove in the required position for the product according to the actual installation location of the wall and ceiling.

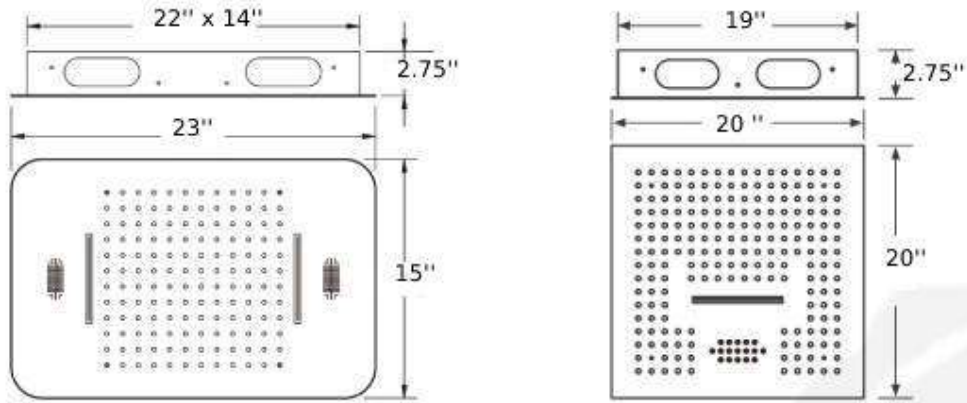


Schematic diagram of waterway installation



Schematic diagram of waterway installation

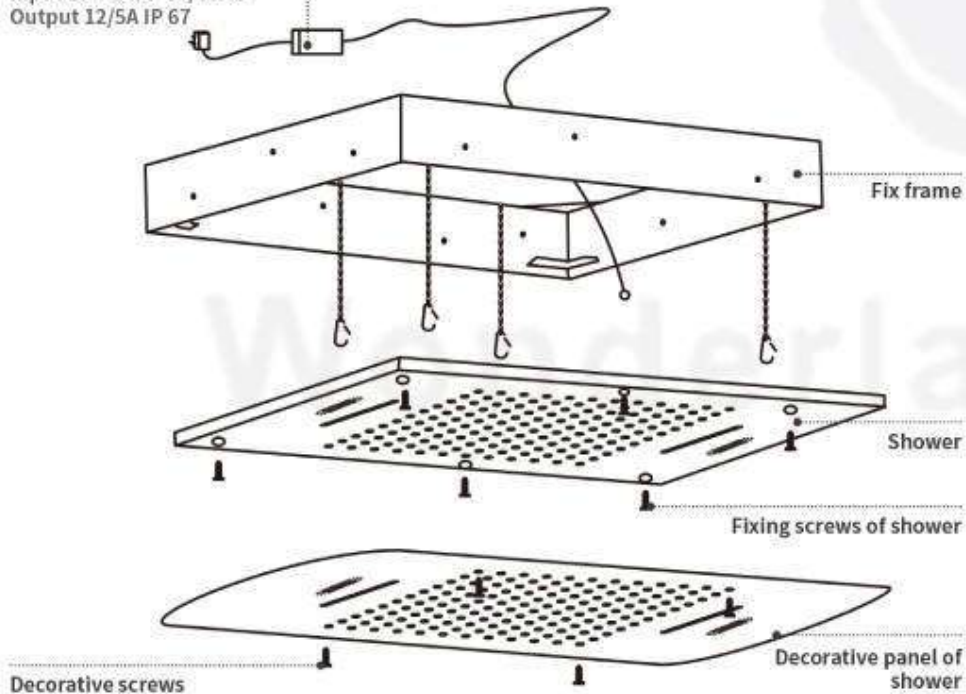
➤ **Luxury LED Shower spare parts**
Exterior Dimensions



➤ **Luxury LED Shower spare parts**
Identification chart

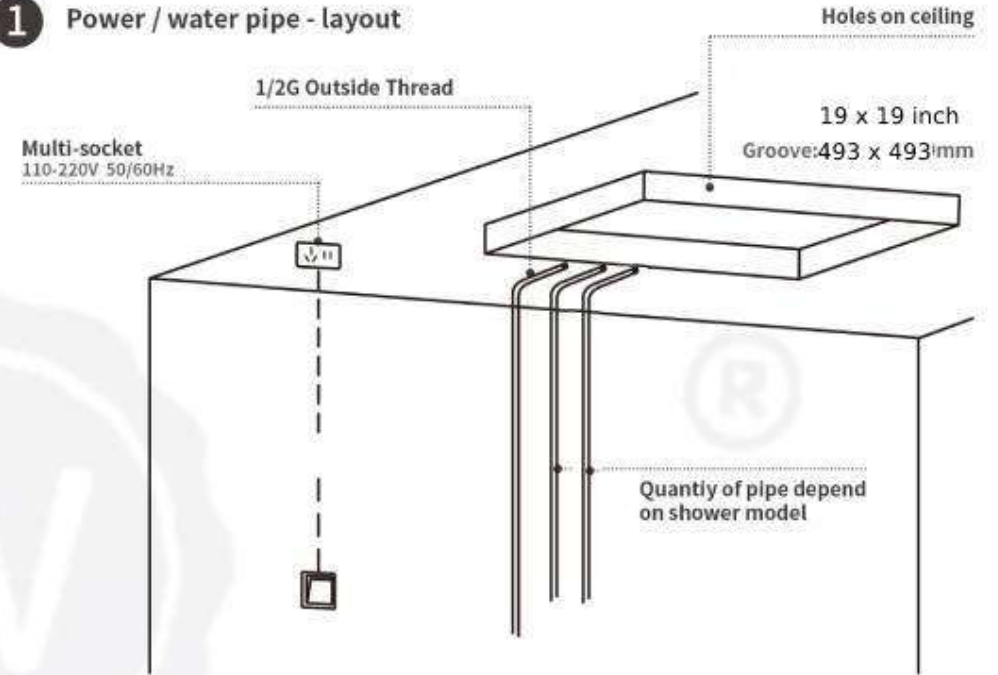
Transformer

Input 100-240V 50/60Hz
Output 12/5A IP 67



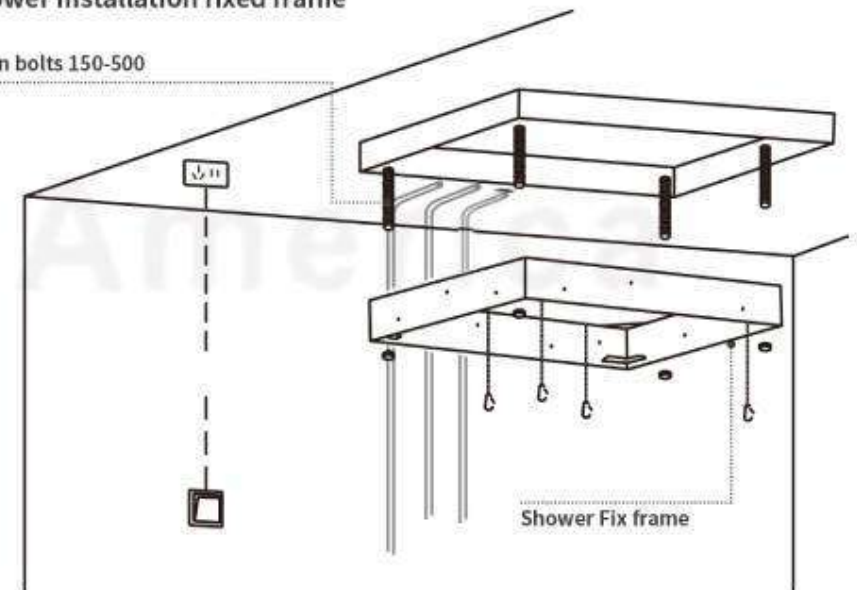
➤ **Luxury LED Shower spare parts installation instruction**

1 Power / water pipe - layout



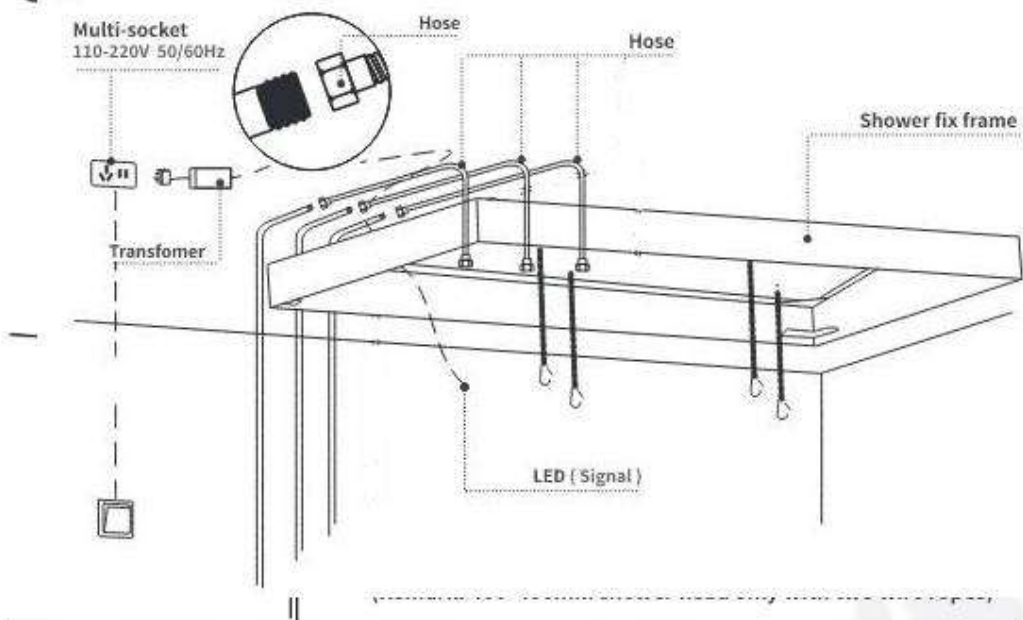
2 Shower installation fixed frame

Expansion bolts 150-500



➤ **Luxury LED Shower spare parts installation instruction**

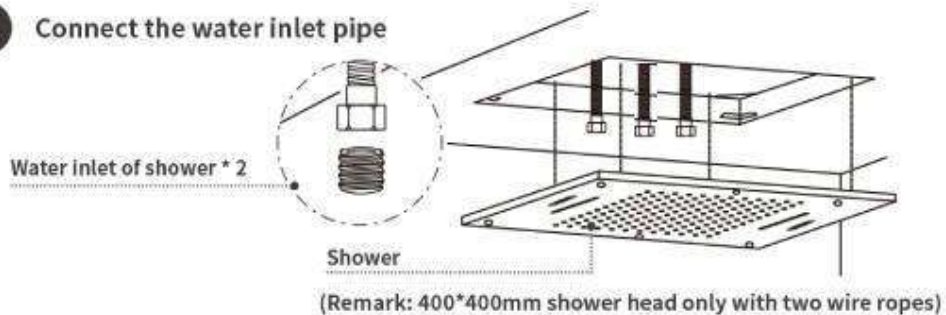
3 layout for power / water pipe



4 Install Shower

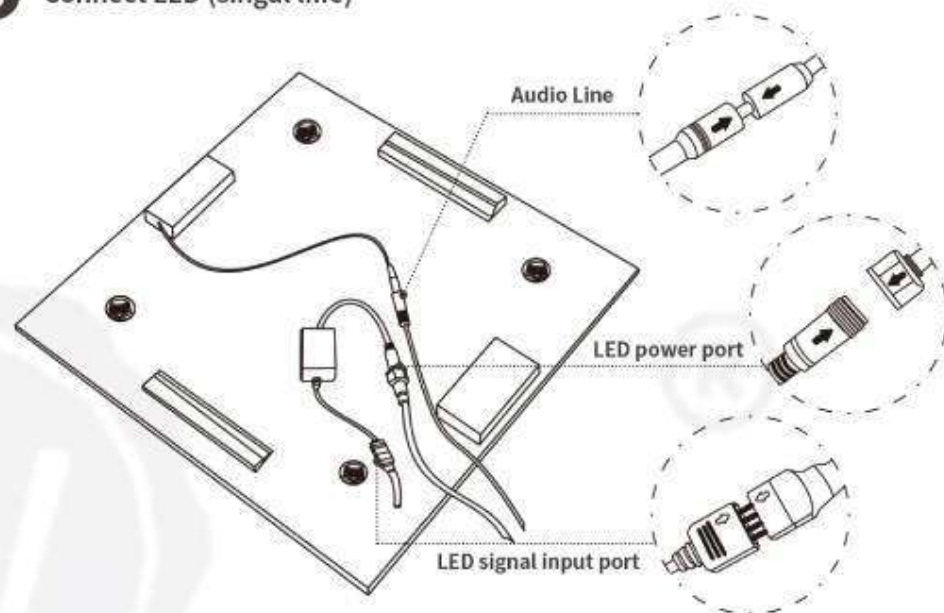


5 Connect the water inlet pipe



➤ **Luxury LED Shower spare parts installation instruction**

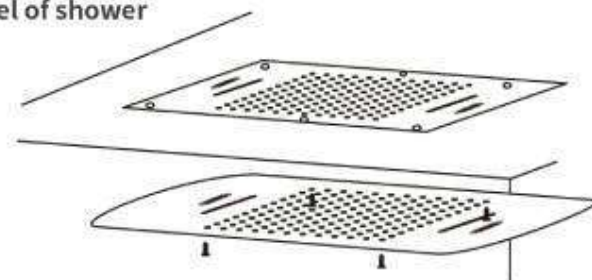
6 Connect LED (singal line)



7 Shower installation



8 Fix the decorative panel of shower

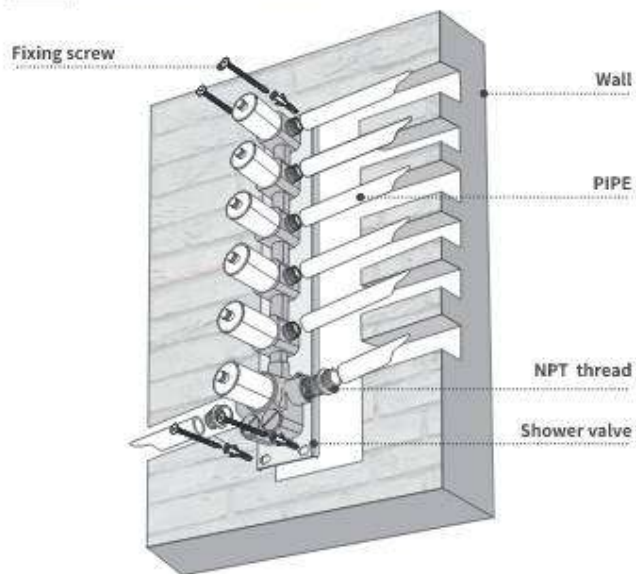


Installation method



9-2

5 Function thermostatic control shower valve



Before Tiling

Please grooved and install the shower valve according to the size drawing, the depth of the groove is about 75-110mm



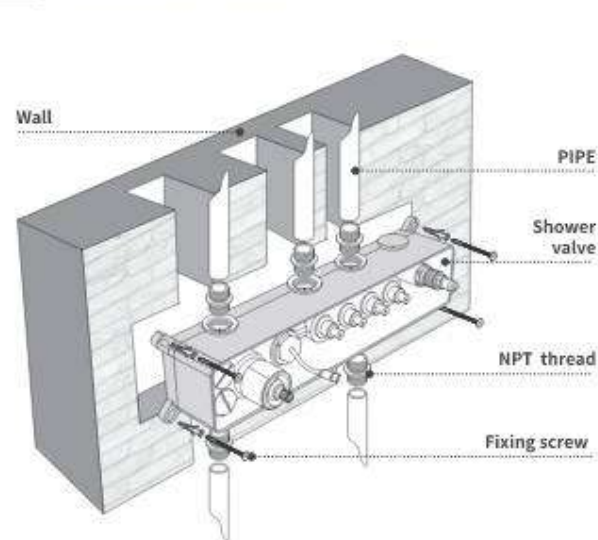
After the installation is complete, turn on the water source and try to see if the water is leaking or clogged.

Installation method



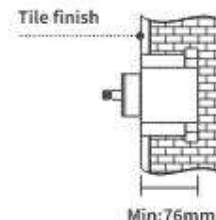
9-3

4 Function thermostatic control shower valve



Before Tiling

Please grooved and install the shower valve according to the size drawing, the depth of the groove is about 77-85mm



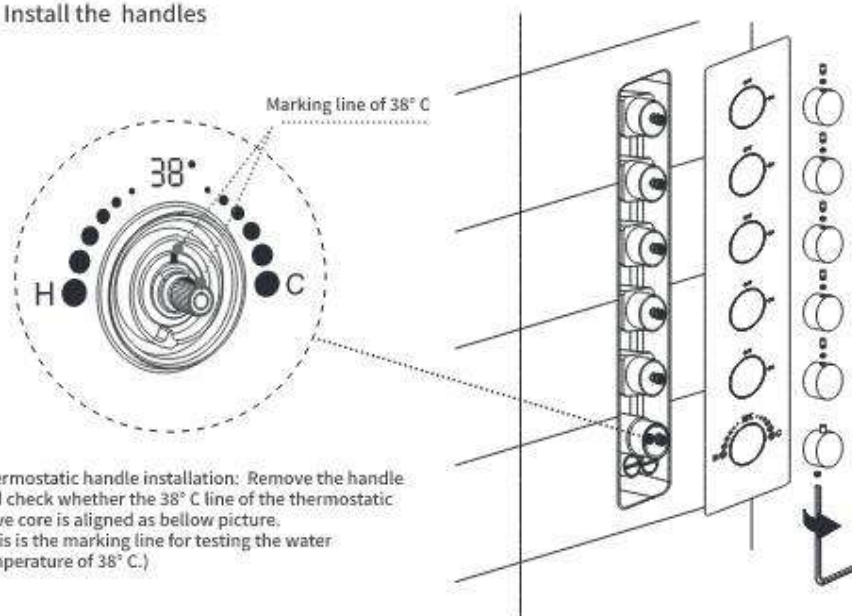
After the installation is complete, turn on the water source and try to see if the water is leaking or clogged.

10-2

5 Function thermostatic control shower valve

Install the handles

After Tiling



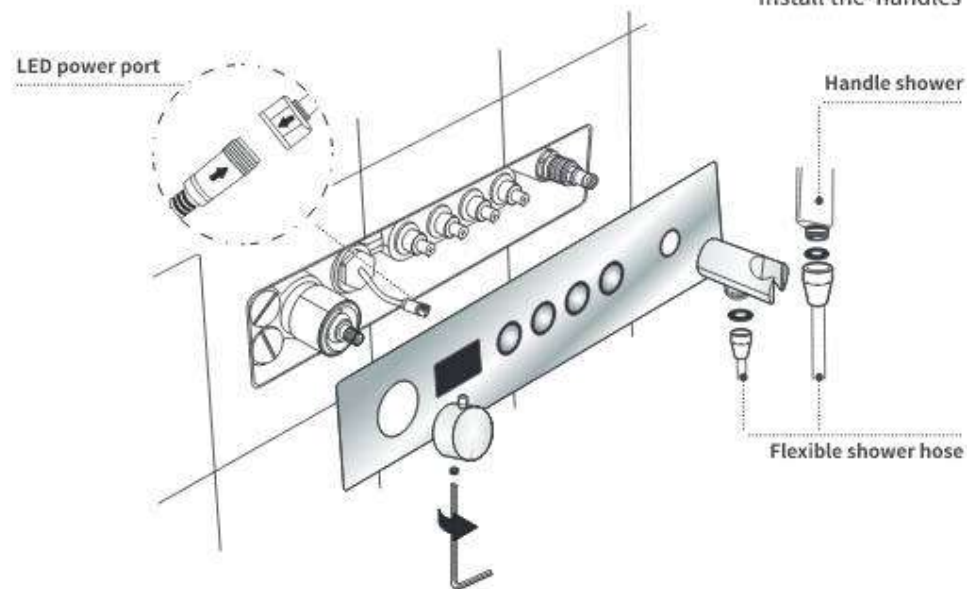
Thermostatic handle installation: Remove the handle and check whether the 38° C line of the thermostatic valve core is aligned as bellow picture. (This is the marking line for testing the water temperature of 38° C.)

10-3

4 Function thermostatic control shower valve

After Tiling

Install the handles



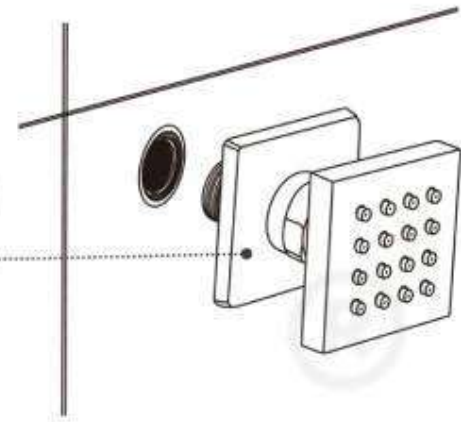
➤ Installation method

11 Body jets * 6

After Tiling



Wrap with the appropriate raw material



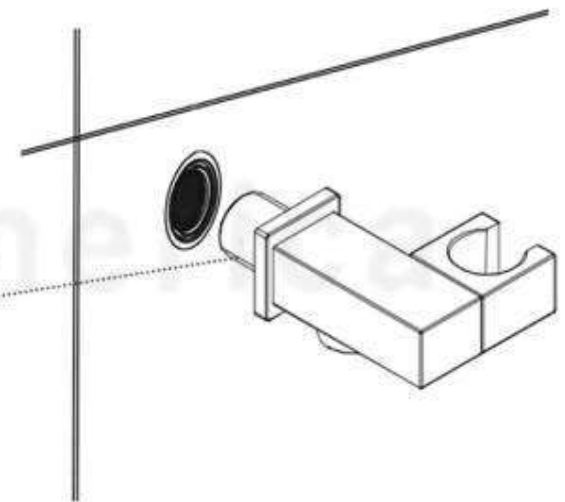
Installing on the required outlet pipe

12 Handle shower hook

After Tiling



Wrapp with the appropriate raw material



Installing on the required outlet pipe