

Installation instructions

½ inch Water pipes lines: A9622F4C1 ,A9622F4B1, A9622F4R1, A9622F4BG1

(1) Water leak reasons and solution for shower head

The O rings damaged inside the extensions: need replace new O rings

The extensions do not tighten well and correctly: re-tighten the extensions

The valve body installed too deeply: re-install the valve body or customize longer extensions

The adapter of head valve body don't tighten well: re-tighten it. Be sure not un-tighten the adapters during connect water pipes to the adapters.

All shower head are made of stainless and brass and they are not easy to be damaged and they won't leak water.

If you find any water leak issue, pls contact us and we will supply free parts such as O rings and longer extensions.

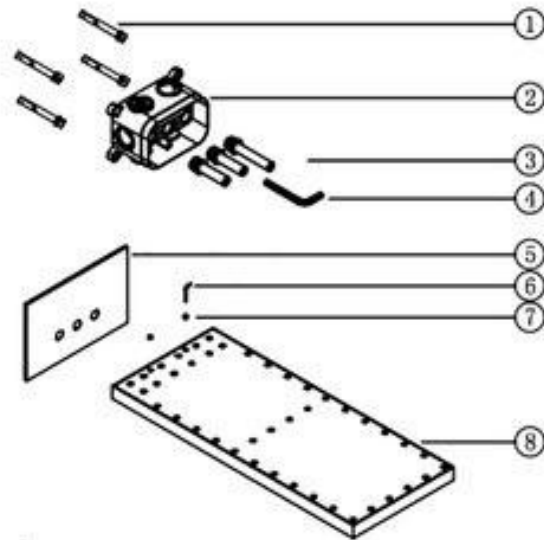
Pls install the items strictly and do not uninstall each part from the original item.

The detail installation instruction are below

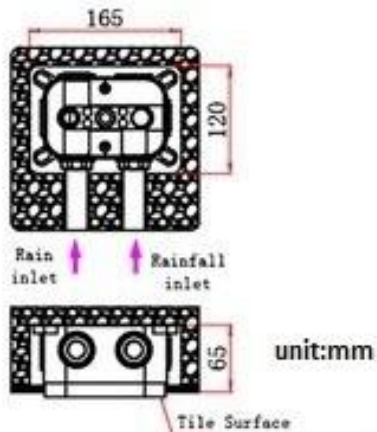
Shower head installation steps:

Parts list

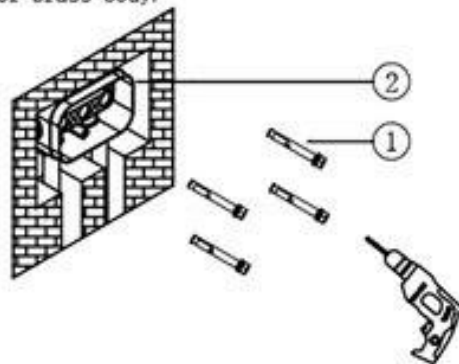
No.	Name	QTY
1	Expansion screws	4
2	Inwall box	1
3	Water inlet	3
4	S8 Allen Key	1
5	Flange	1
6	Allen Key 2.5	1
7	M4 screw	2
8	Shower head body	1



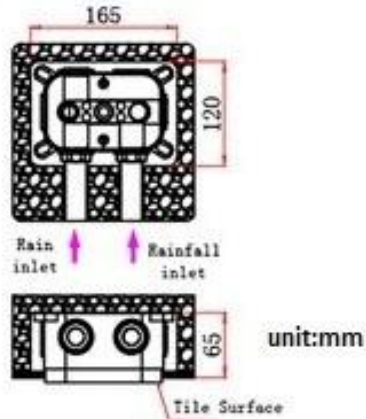
1. Digging wall according to following size, and connect rain and rainfall inlet correctly.



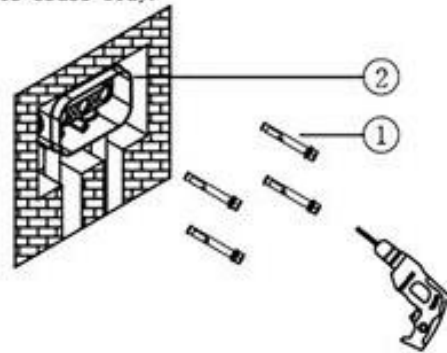
2. Lock Inwall box by four expansion screws while gurantee horizontal level. Do not remove the cover inside inwall box when seal wall by cement to prevent cement stick to screws of brass body.



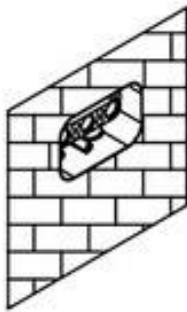
1. Digging wall according to following size, and connect rain and rainfall inlet correctly.



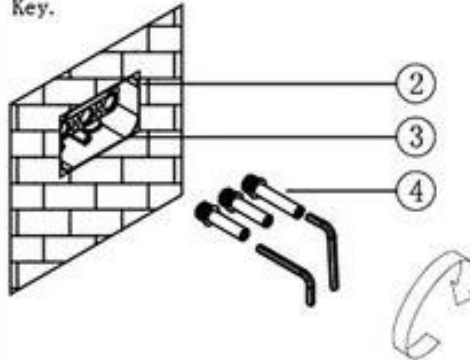
2. Lock Inwall box by four expansion screws while gurantee horizontal level. Do not remove the cover inside inwall box when seal wall by cement to prevent cement stick to screws of brass body.



3. Remain inwall box in same level as wall after seal the tile.

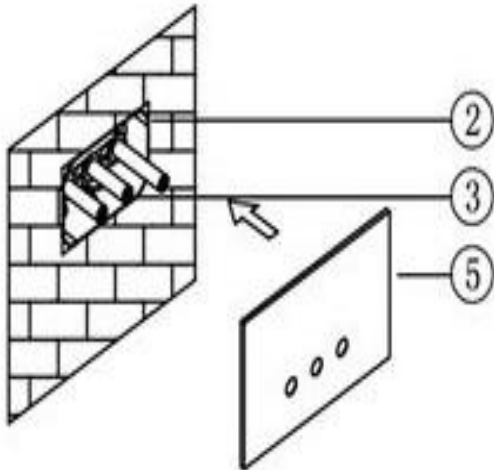


4. Install shower head body. First, remove the cover inside inwall box, screw three water inlets into inwall box with S8 Allen Key.

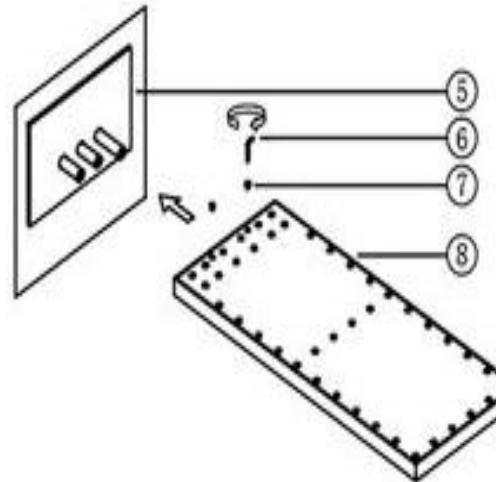


5. Install flange as picture.

Caution: do setp 4-5-6 to test horizontal and vertical position of shower head before wall seal to avoid any trouble of repair after wall seal.

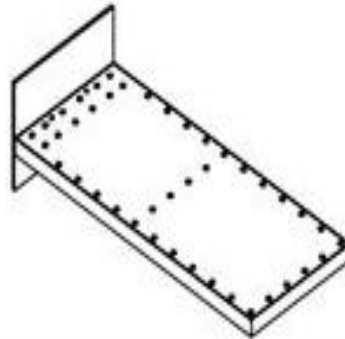
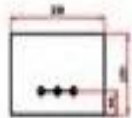
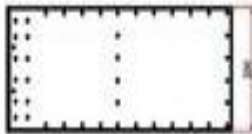


6. Push shower head body into according water inlets, and tighten shower body by M4 screw with Allen Key 2.5.



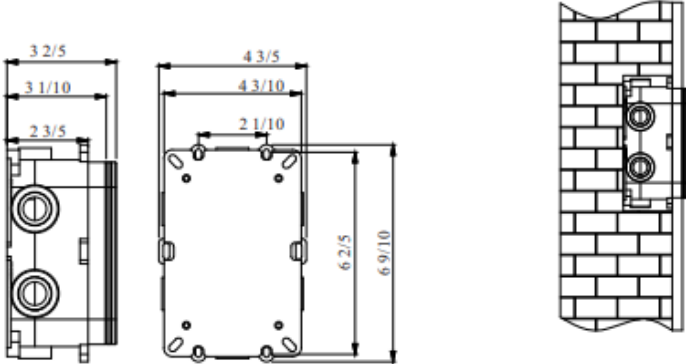
Installation Finish.

Attention: no need to remove screws on backcover of shower head body when installation.



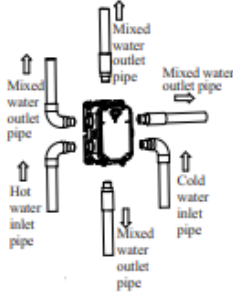
Shower valve installation

① **Basic Size**




According to the basic size of the embedded box, use a special tool to open the main hole on the solid wall. As shown in the figure, it should be considered that the depth of the wall after the final treatment and the bottom of the opening is $3\frac{1}{10}$ - $3\frac{3}{5}$ inch. Between, the width is between $4\frac{7}{10}$ - $4\frac{9}{10}$ inch, and the height is between $6\frac{9}{10}$ - $7\frac{1}{10}$ inch.

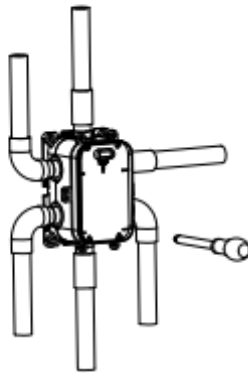
②



As shown in the figure, the inlet and outlet pipes are embedded. Pay attention to the correct direction of installing the embedded box. Be sure to mark the **TOP** of the baffle upward, and the vertical direction of the embedded box. The lower left interface is connected to the hot water pipe. The interface is connected to the cold water pipe, the upper left interface is connected to the top spray pipe, and the upper right interface is connected to the handheld pipe.

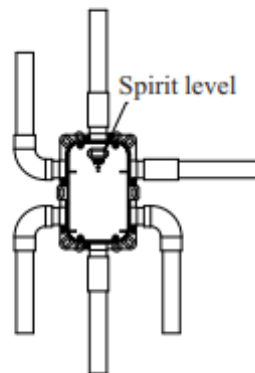
 **Note:** Please strictly follow the cold and hot water pipes shown in the diagram to connect the main body cold water and hot water to the correct position to avoid reverse installation.

③

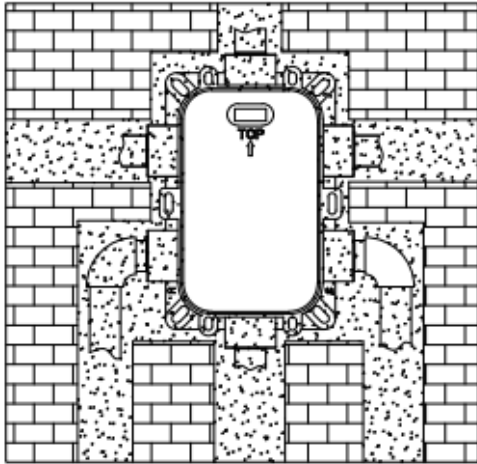


Open the water source to test whether the left and right inlet pipes are connected tightly and without leakage. After the inlet pipe is tested, adjust the flow switch to be on to test whether the mixed water outlet pipes are tightly connected without leakage. At the same time, the water retention function is installed according to the embedded box. Built-in box with self-tapping screws in solid wall is fixed on the wall.

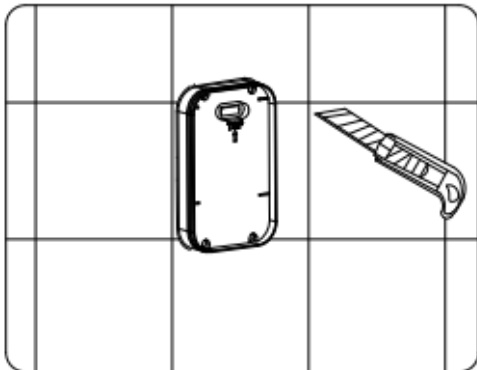
④



As shown in the figure, our company's embedded box has a built-in spirit level to correct the installation of the embedded box. It is best to move the mercury to the center of the spirit level. If it is not installed properly, it will affect the panel installation effect.



Make sure that the pipe connection is correct and that the test water has no leakage. After the installation of the other embedded components of the shower is completed, the embedded box and the pipeline are sealed and fixed with filler.



As shown in the figure, the external leakage embedded box is cut off, and the subsequent control valve installation can be performed after the wall is laid.

As shown in the figure, install the control valve, and fix the thermostatic control valve with the screws that originally removed the flap. After fixing the control valve, open the water pipe switch. Please pay attention to check whether there is any leakage between the control valve and the base. Control the valve and check whether the 6 rubber rings under the control valve are installed correctly. After the inspection, please reinstall the control valve. Then test whether the diverter spool is normal. The next step is to test whether the water temperature is $38^{\circ} \pm 1$ under normal use. If there is high or low temperature, please check if the red pen mark on the thermostat spool is aligned. If the temperature is not constant, please check whether the hot and cold water pipes and the hot and cold water inlets of the main body are installed correctly. After testing all functions, please install the panel and the switch handle. Make sure that the direction of the handle bar is facing the 38° position.

