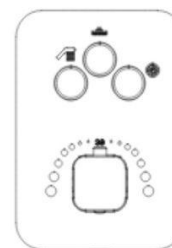
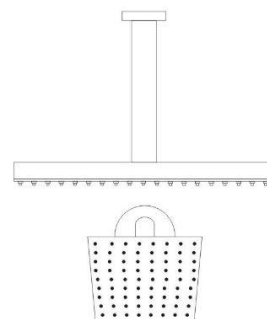


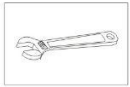
THERMOSTATIC SHOWER MANUAL



Installation Step

Multi-function Thermostatic Concealed Shower

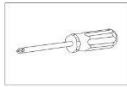
INSTALLATION Tools You Will Need :



Adjustable wrench



Hexagon wrench



Phillips Screwdriver



Pipe Tape



Glue

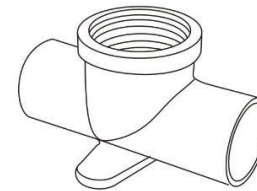
Notes before installation :

1. Please check that all components are available.
2. Before installation ensure that all feed lines are clear of debris and on/off valve is available.
3. Ensure water pressure is between 20-125 PSI (includes combination of hot and cold feed lines).
4. Pictures in the manual are general in content and may not represent exactly your purchased faucet. If you are having difficulties please contact a professional plumber.
5. If you will be away from home for an extended period you should shut off the main water supply.

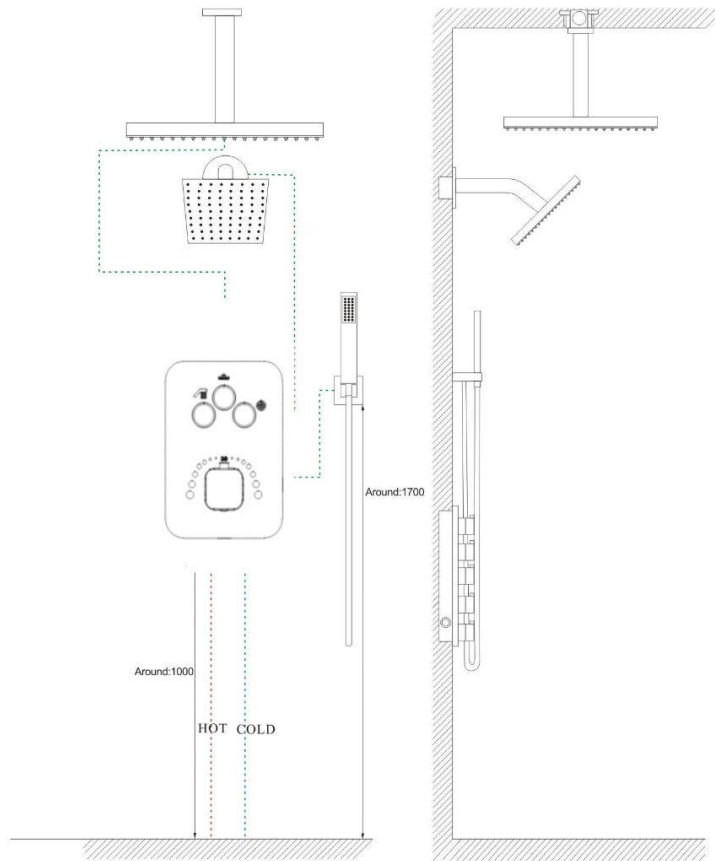
Daily maintenance

1. Use a soft cloth and vinegar to remove hard-water spots.
2. Check aerator (if present) regularly for calcium build up are when water stream is not optimum.
3. DO NOT use caustic cleaning products as the use will break down finish and will void the product warranty.
4. Acceptable cleaners include vinegar or mild non-abrasive liquid detergents.
5. If the water pressure appears to be less than optimum remove, inspect, clean or replace aerator

You need to purchase this accessory to install

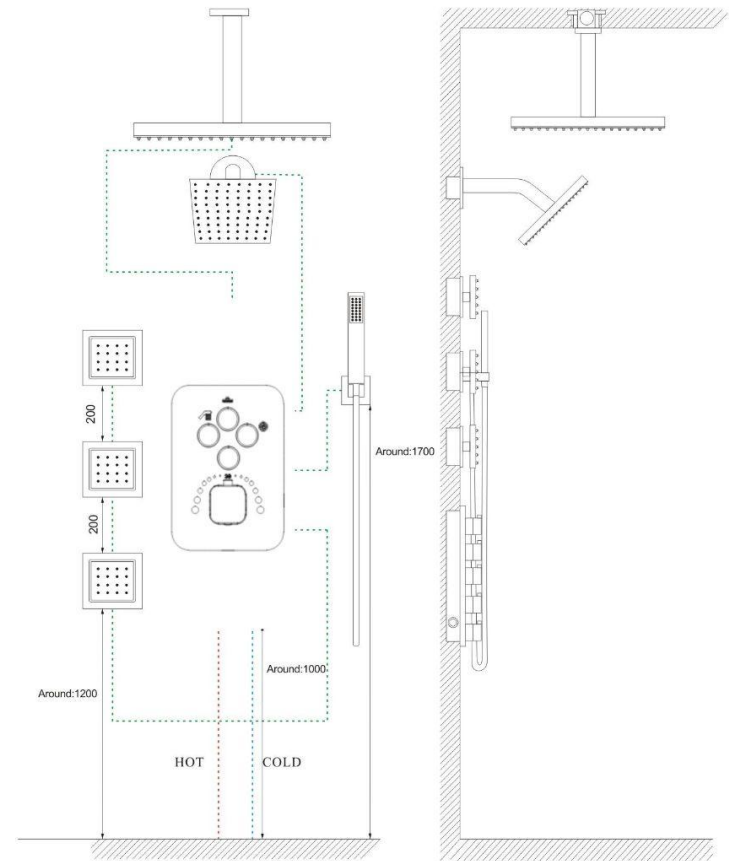


1/2 inch inlets 3-way thermostatic shower faucet



3

1/2 inch inlets 4-way thermostatic shower faucet

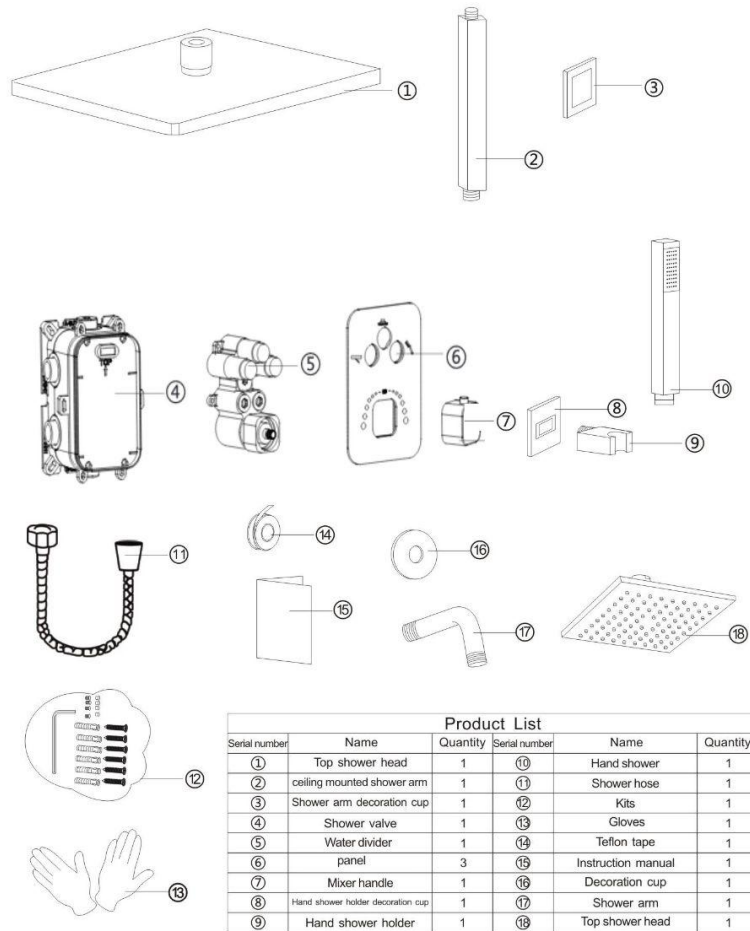


4

Product List

Please check the accessories with following table, if there is anything missing, please contact customer service immediately.

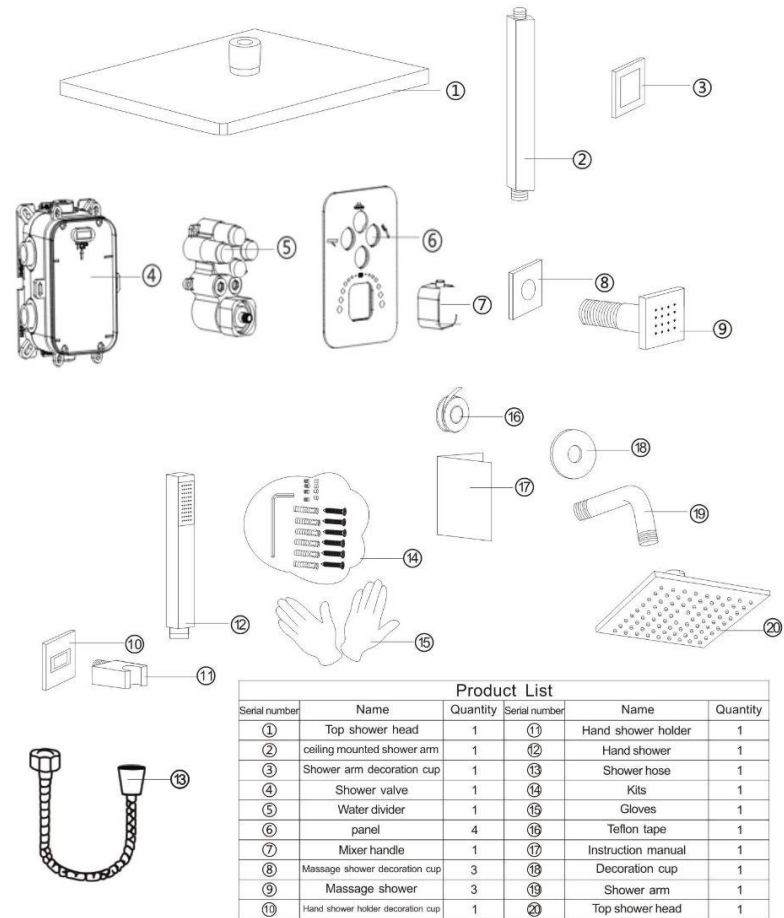
1/2 inch inlets 3-way thermostatic shower faucet



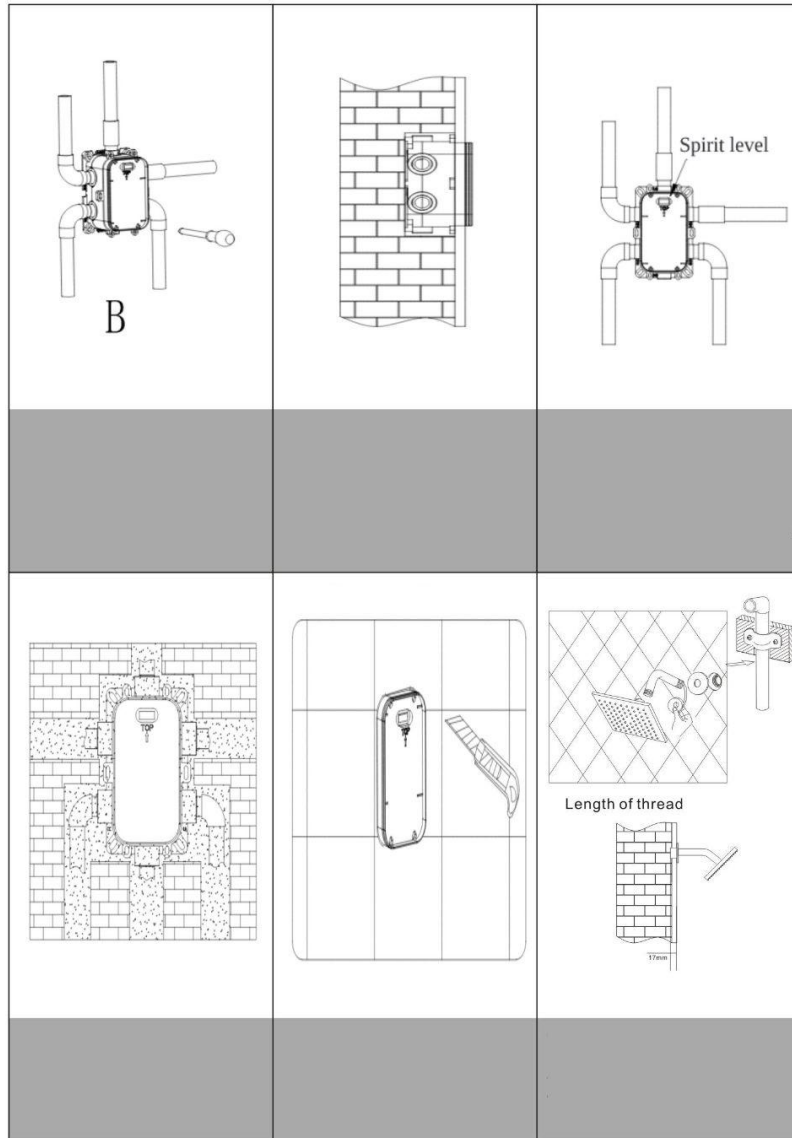
Product List

Please check the accessories with following table, if there is anything missing, please contact customer service immediately.

1/2 inch inlets 4-way thermostatic shower faucet

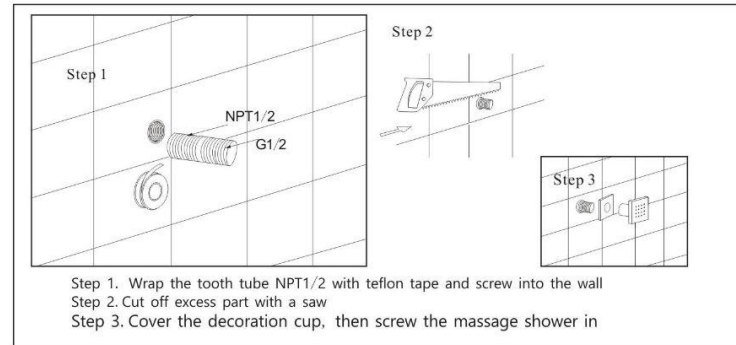


◆ Installation step —1/2 inch inlets 3-way thermostatic shower faucet

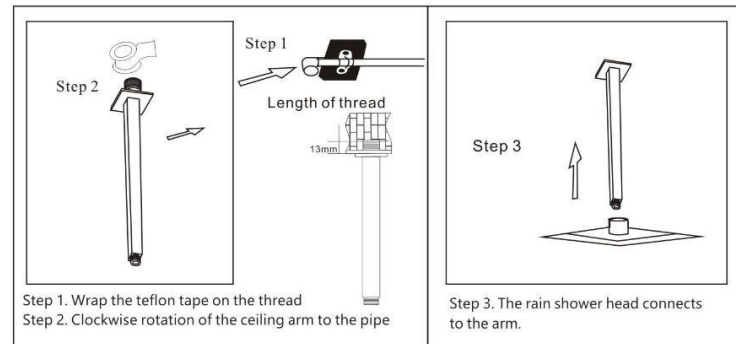


7

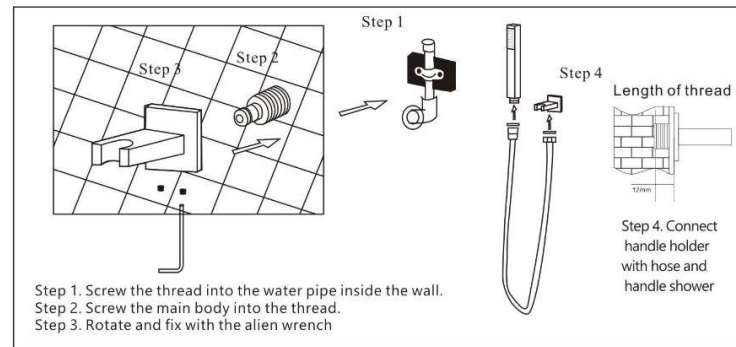
◆ Install the massage shower



◆ Install the rain shower head



◆ Install the handheld shower head



8