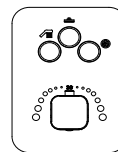
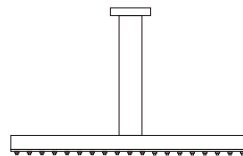
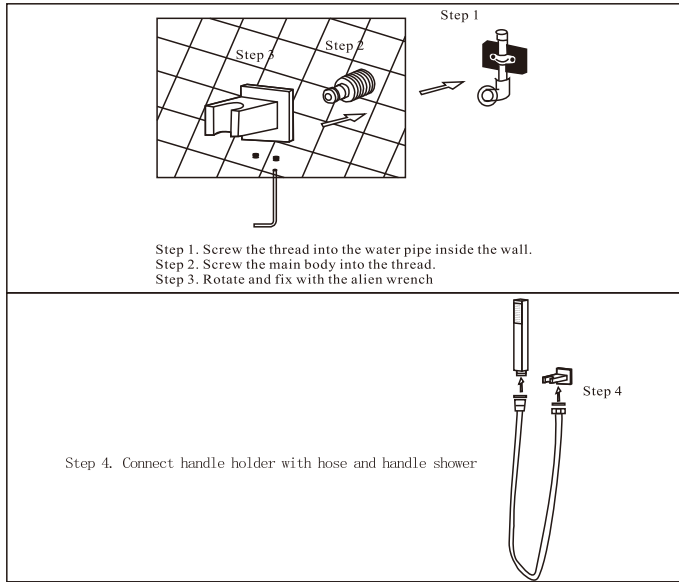


THERMOSTATIC SHOWER MANUAL

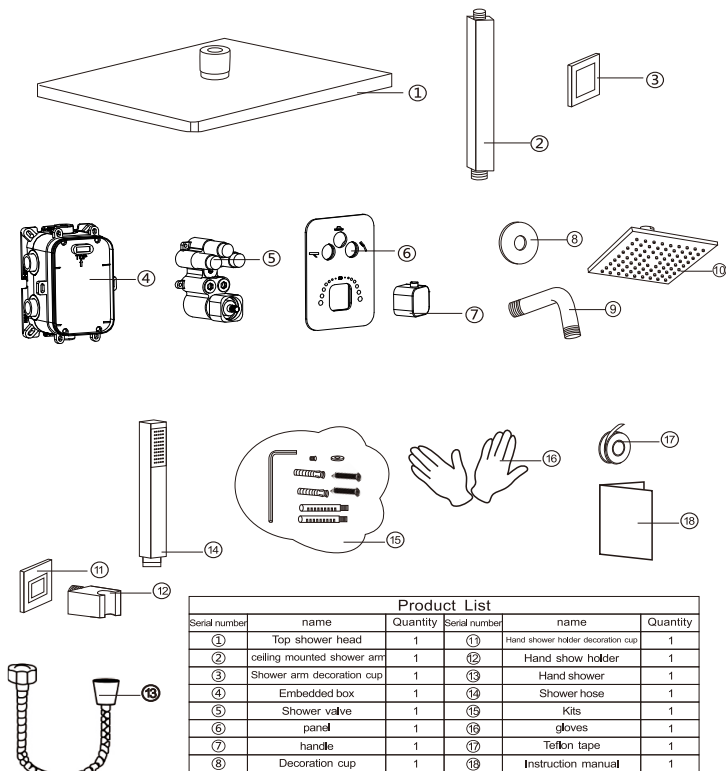
◆ Install the handheld shower head



Product List

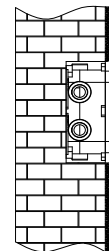
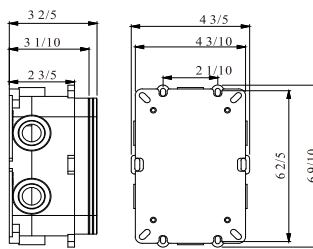
Please check the accessories with following table, if there is anything missing, please contact customer service immediately.

Ceiling mounted shower items



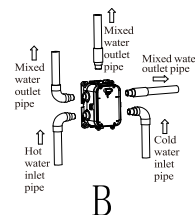
Serial number	name	Quantity	Serial number	name	Quantity
①	Top shower head	1	⑬	Hand shower holder decoration cup	1
②	ceiling mounted shower arm	1	⑭	Hand show holder	1
③	Shower arm decoration cup	1	⑮	Hand shower	1
④	Embedded box	1	⑯	Shower hose	1
⑤	Shower valve	1	⑰	Kits	1
⑥	panel	1	⑱	gloves	1
⑦	handle	1	⑲	Teflon tape	1
⑧	Decoration cup	1	⑳	Instruction manual	1
⑨	Shower arm	1			
⑩	Top shower head	1			

① Basic Size



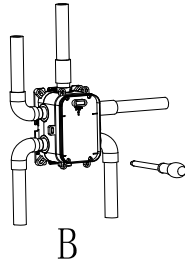
According to the basic size of the embedded box, use a special tool to open the main hole on the solid wall. As shown in the figure, it should be considered that the depth of the wall after the final treatment.

②



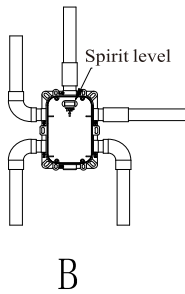
As shown in the figure, the inlet and outlet pipes are embedded. Pay attention to the correct direction of installing the embedded box. Be sure to mark the top **TOP** of the baffle upward, and the vertical direction of the embedded box.

③



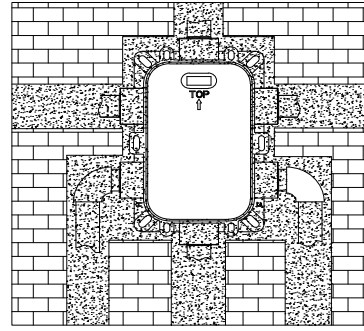
Open the water source to test whether the left and right inlet pipes are connected tightly and without leakage. After the inlet pipe is tested, adjust the flow switch to be on to test whether the mixed water outlet pipes are tightly connected without leakage.

④



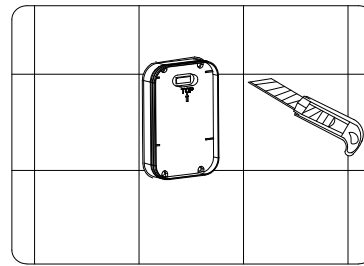
It is best to move the mercury to the center of the spirit level. If it is not installed properly, it will affect the panel installation effect.

⑤



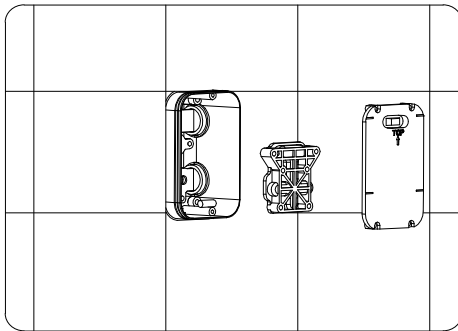
After the installation of the other embedded components of the shower is completed, the embedded box and the pipeline are sealed and fixed with filler.

⑥



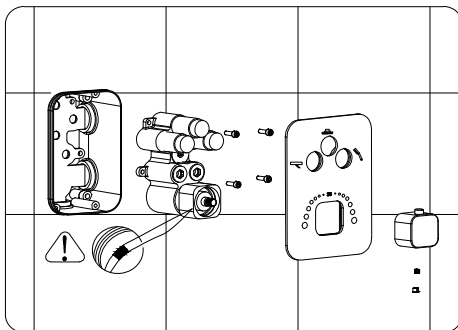
The external leakage embedded box is cut off.

⑦



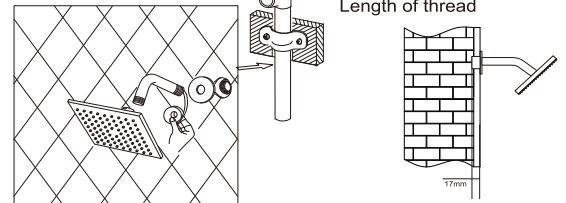
Take out the spirit level installation cover box and test water cover as shown in the figure

⑧



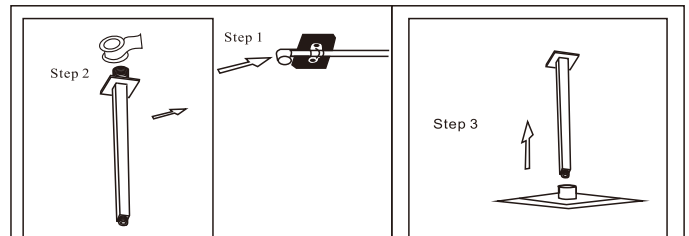
As shown in the figure, install the control valve, and then install the switch handle. Pay attention to the red pen mark. Use the small hexagon wrench included in the package to fix the switch handle clockwise on the valve body of the control valve. The direction of the handle stem is 38° position.

◆ Install the massage shower



Step 1, Wrap the tooth tube NPT1/2 with teflon tape and screw into the wall
Step 2, Cut off excess part with a saw
Step 3, Cover the decoration cup, then screw the massage shower in

◆ Install the rain shower head



Step 1. Wrap the teflon tape on the thread
Step 2. Clockwise rotation of the ceiling arm to the pipe

Step 3. The rain shower head connects to the arm.