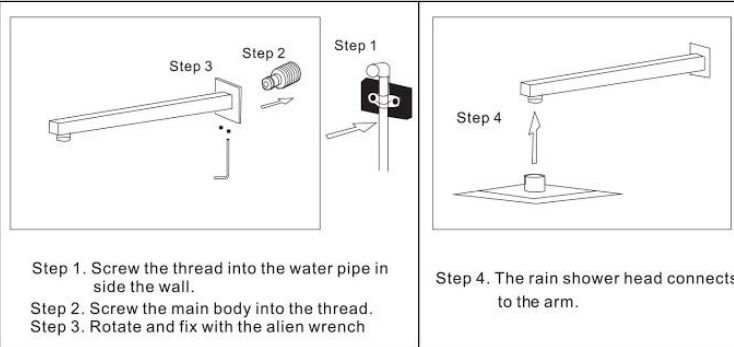
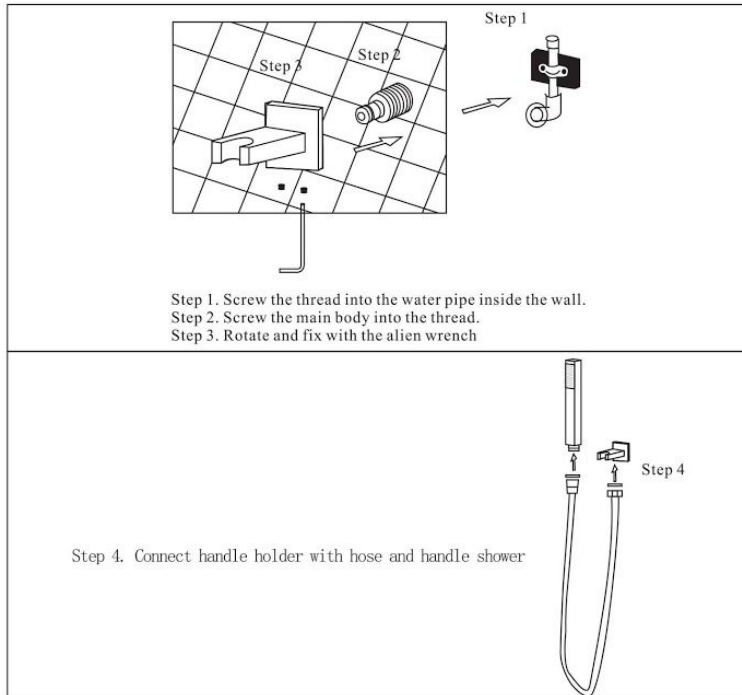


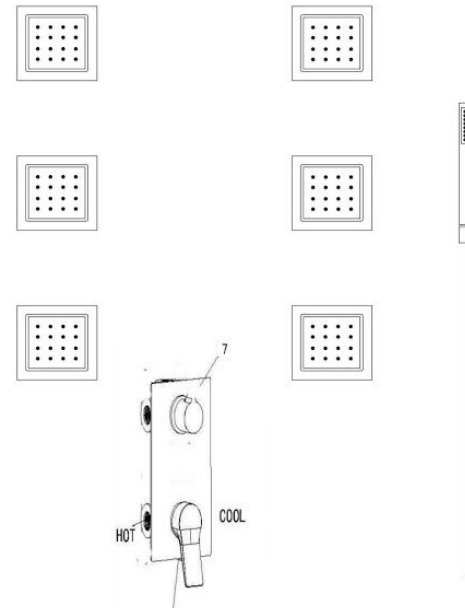
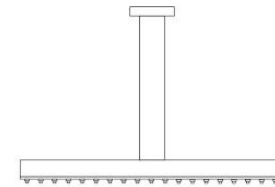
Or



◆ Install The handheld shower Head



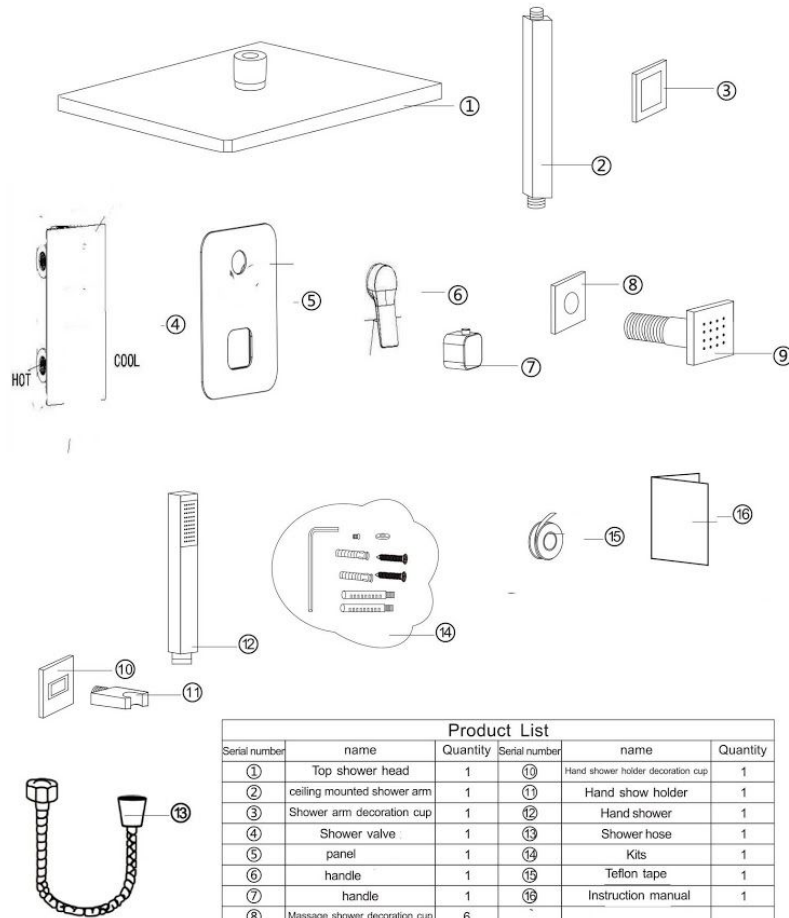
3 WAY DIGITAL SHOWER MANUAL



Product List

Please check the accessories with following table, if there is anything missing, please contact customer service immediately.

Ceiling mounted shower items

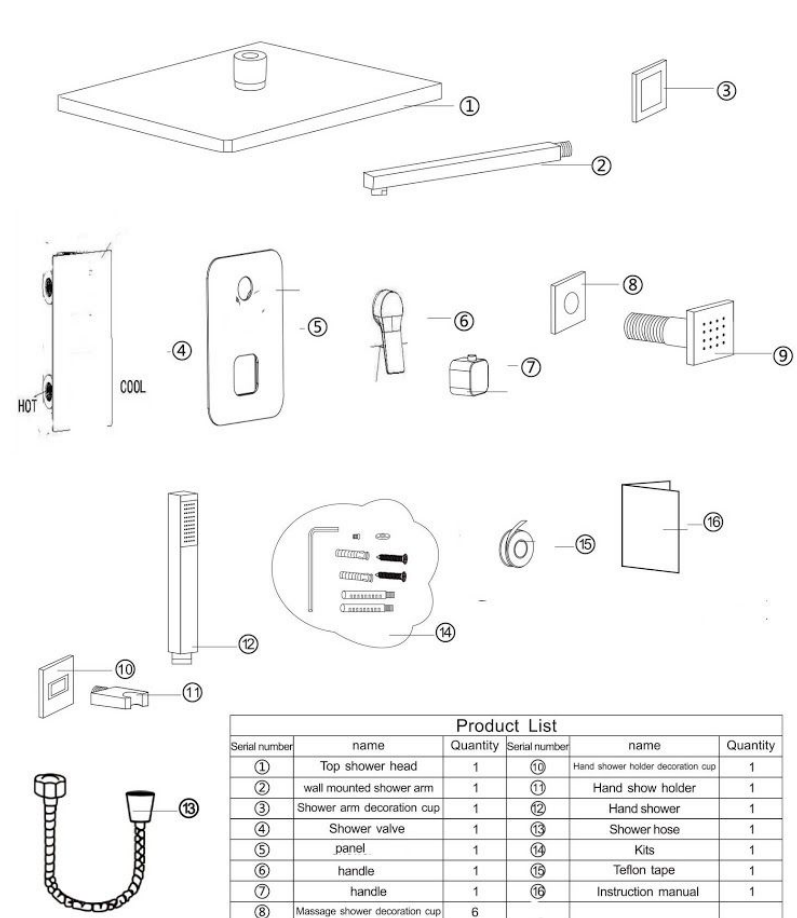


Product List		Product List			
Serial number	name	Quantity	Serial number	name	Quantity
①	Top shower head	1	⑩	Hand shower holder decoration cup	1
②	ceiling mounted shower arm	1	⑪	Hand show holder	1
③	Shower arm decoration cup	1	⑫	Hand shower	1
④	Shower valve	1	⑬	Shower hose	1
⑤	panel	1	⑭	Kits	1
⑥	handle	1	⑮	Teflon tape	1
⑦	handle	1	⑯	Instruction manual	1
⑧	Massage shower decoration cup	6			
⑨	Massage shower	6			

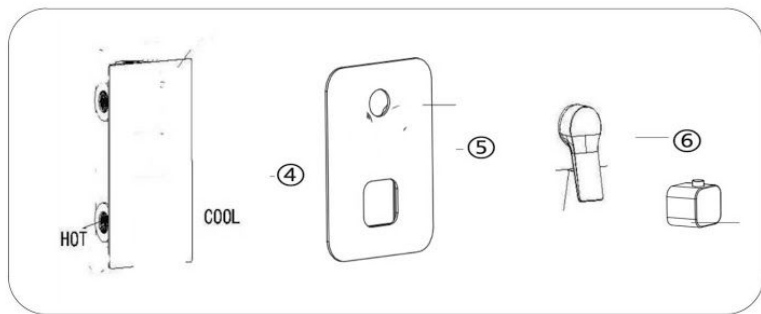
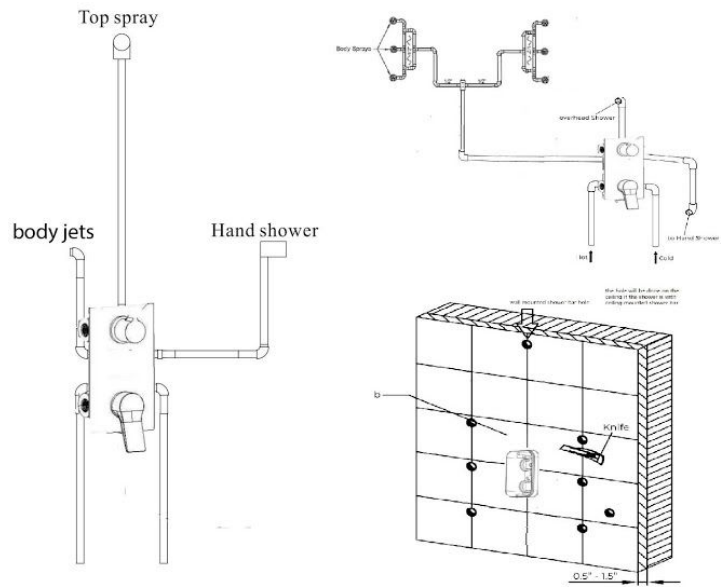
Product List

Please check the accessories with following table, if there is anything missing, please contact customer service immediately.

Wall mounted shower items



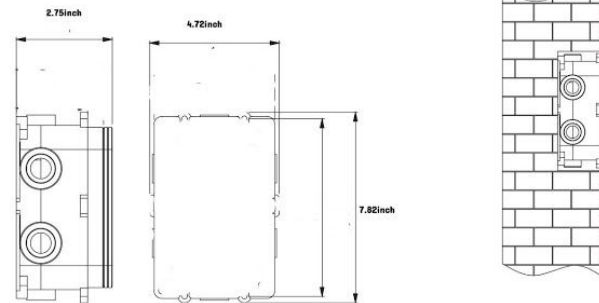
Product List		Product List			
Serial number	name	Quantity	Serial number	name	Quantity
①	Top shower head	1	⑩	Hand shower holder decoration cup	1
②	wall mounted shower arm	1	⑪	Hand show holder	1
③	Shower arm decoration cup	1	⑫	Hand shower	1
④	Shower valve	1	⑬	Shower hose	1
⑤	panel	1	⑭	Kits	1
⑥	handle	1	⑮	Teflon tape	1
⑦	handle	1	⑯	Instruction manual	1
⑧	Massage shower decoration cup	6			
⑨	Massage shower	6			



Note: Do not disassemble this product under non-professional guidance. Pictures are for reference only. All the spare parts are subject to the actual product.

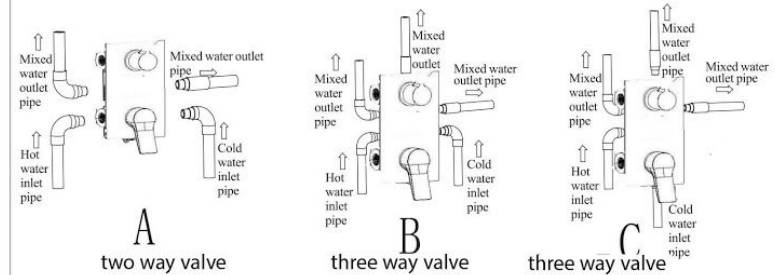
①

Basic Size



According to the basic size of the embedded box, use a special tool to open the main hole on the solid wall. As shown in the figure, it should be considered that the depth of the wall after the final treatment and the bottom of the opening is 80-92mm. Between, the width is between 120-125mm, and the height is between 175-180mm.

②

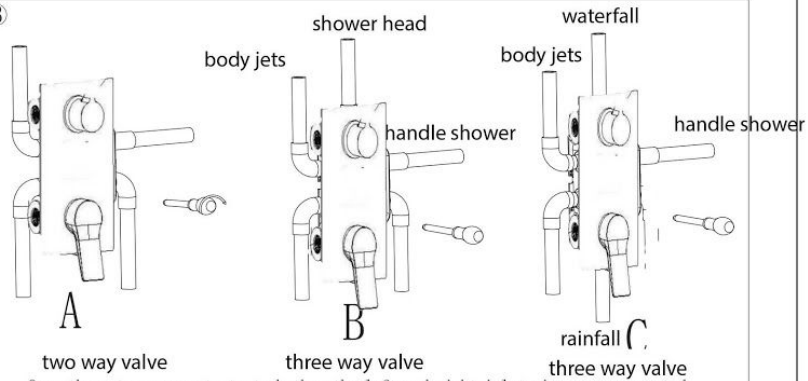


As shown in the figure, the inlet and outlet pipes are embedded. Pay attention to the correct direction of installing the embedded box. Be sure to mark the top **TOP** of the baffle upward, and the vertical direction of the embedded box. The lower left interface is connected to the hot water pipe. The interface is connected to the cold water pipe, the upper left interface is connected to the top spray pipe, and the upper right interface is connected to the handheld pipe.



Note: Please strictly follow the cold and hot water pipes shown in the diagram to connect the main body cold water and hot water to the correct position to avoid reverse installation.

③



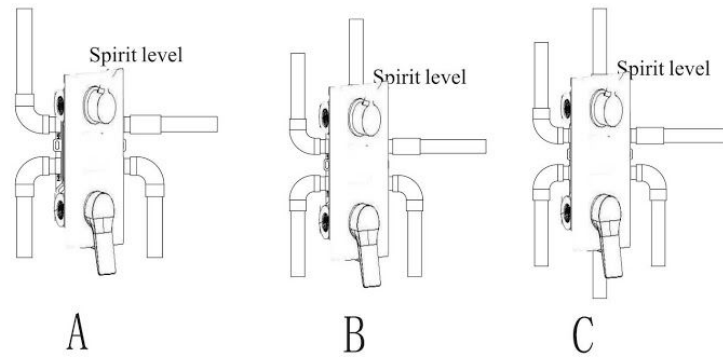
two way valve

three way valve

three way valve

Open the water source to test whether the left and right inlet pipes are connected tightly and without leakage. After the inlet pipe is tested, adjust the flow switch to be on to test whether the mixed water outlet pipes are tightly connected without leakage. At the same time, the water retention function is installed according to the embedded box. Built-in box with self-tapping screws in solid wall is fixed on the wall.

④



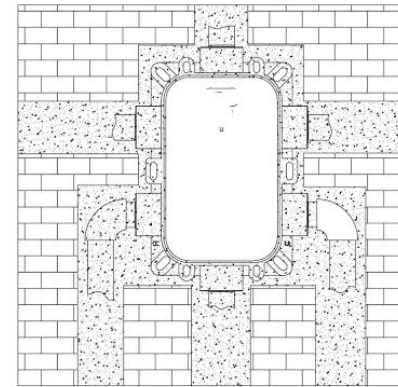
A

B

C

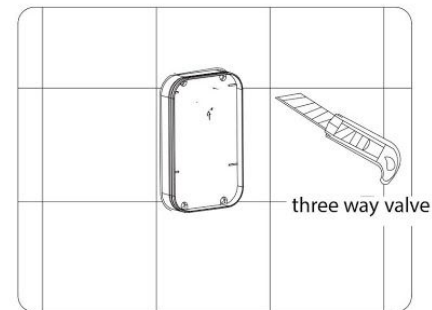
As shown in the figure, our company's embedded box has a built-in spirit level to correct the installation of the embedded box. It is best to move the mercury to the center of the spirit level. If it is not installed properly, it will affect the panel installation effect.

⑤



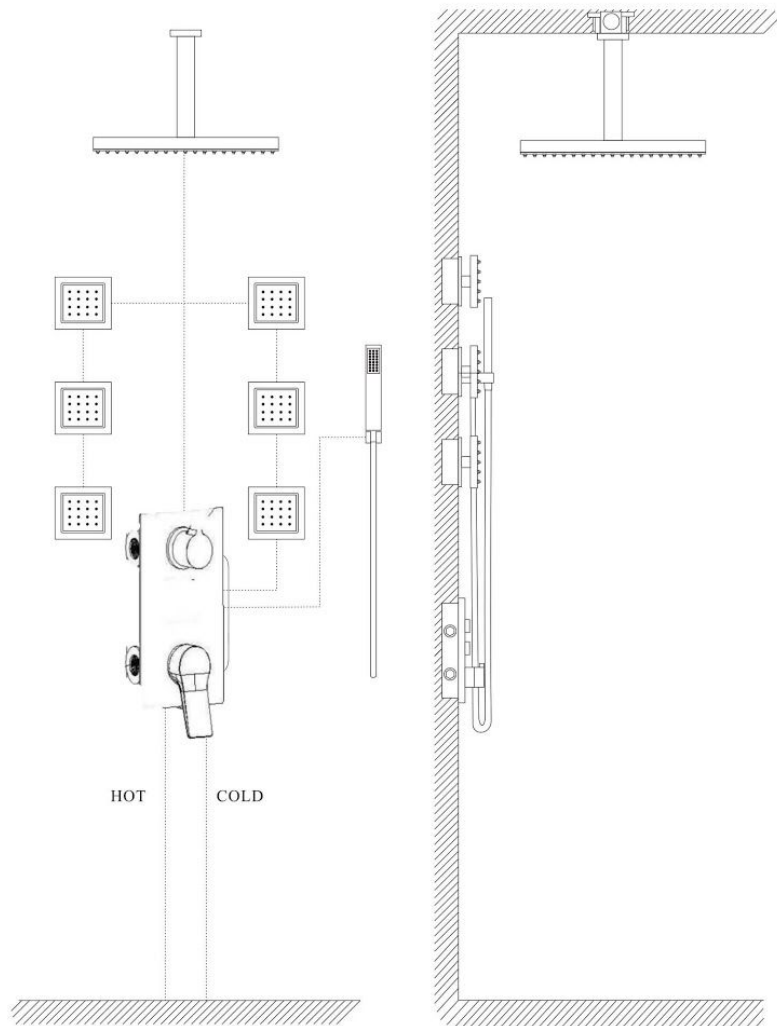
Make sure that the pipe connection is correct and that the test water has no leakage. After the installation of the other embedded components of the shower is completed, the embedded box and the pipeline are sealed and fixed with filler.

⑥

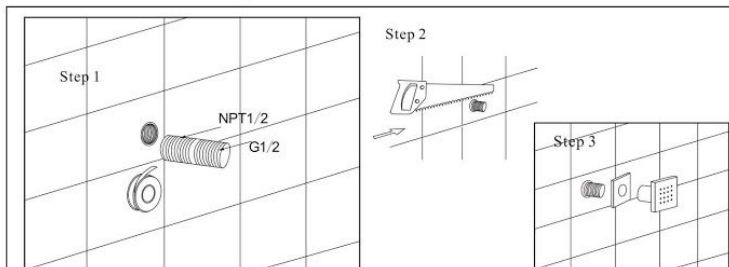


three way valve

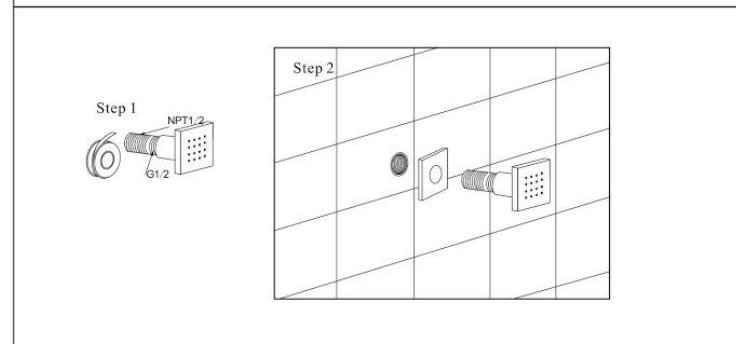
As shown in the figure, the external leakage embedded box is cut off, and the subsequent control valve installation can be performed after the wall is laid.



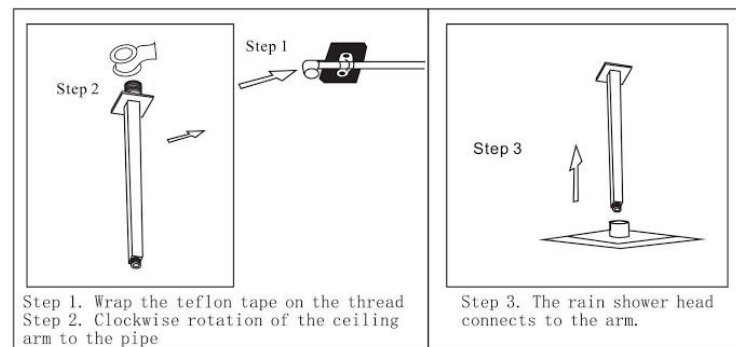
◆ Install the massage shower



Step 1, Wrap the tooth tube NPT1/2 with teflon tape and screw into the wall
 Step 2, Cut off excess part with a saw
 Step 3, Cover the decoration cup, then screw the massage shower in



◆ Install The rain shower Head



Step 1. Wrap the teflon tape on the thread
 Step 2. Clockwise rotation of the ceiling arm to the pipe

Step 3. The rain shower head connects to the arm.