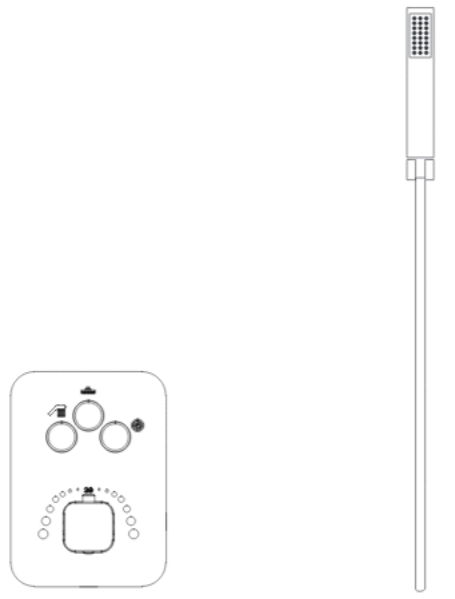
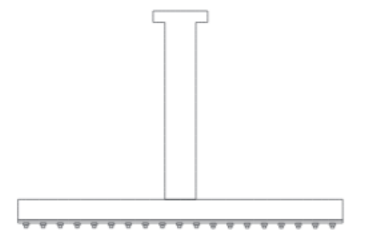


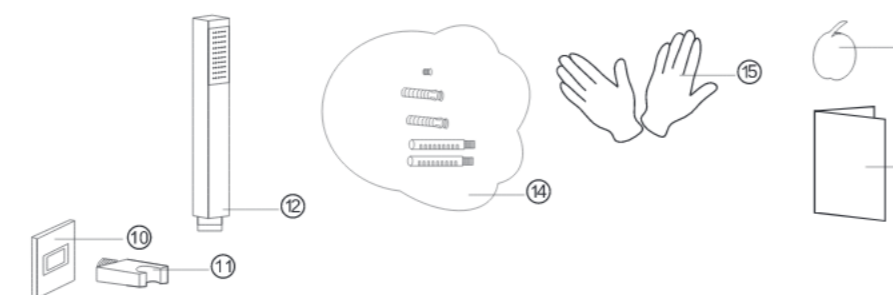
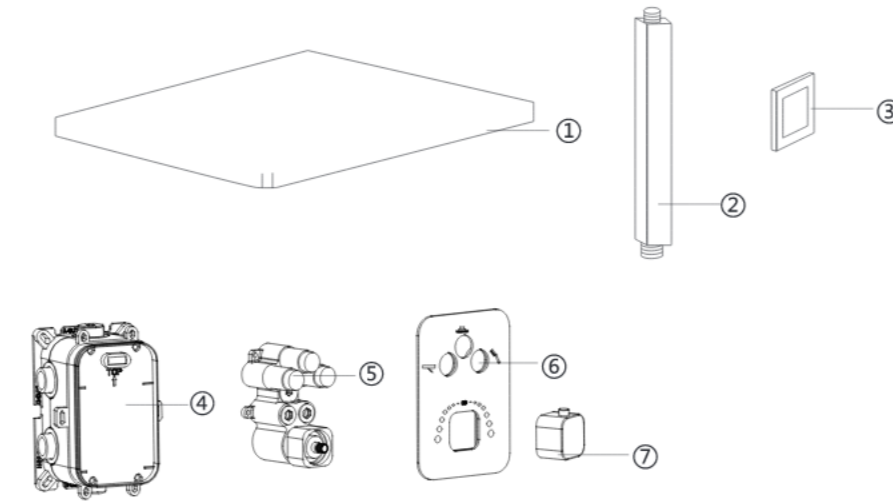
THERMOSTATIC SHOWER MANUAL



Product List

Please check the accessories with following table, if there is anything missing please contact customer service immediately.

Ceiling mounted shower items

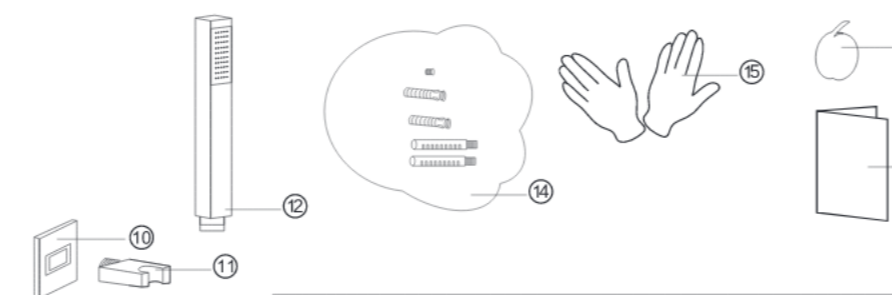
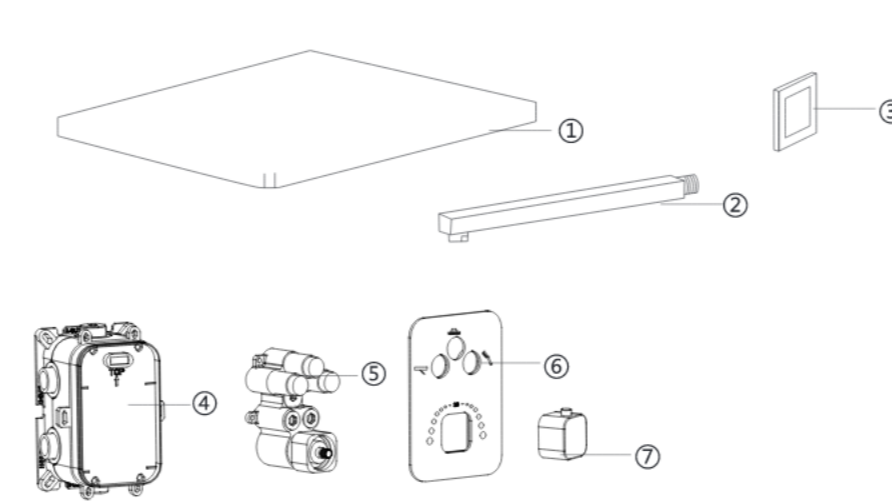


Serial number	name	Quantity	Serial number	name	Quantity
①	Top shower head	1	⑩	Hand shower holder	1
②	ceiling mounted shower arm	1	⑪	Hand shower holder	1
③	Shower arm decoration cap	1	⑫	Hand shower	1
④	Embedded box	1	⑬	Shower hose	1
⑤	Shower valve	1	⑭	Kits	1
⑥	panel	1	⑮	gloves	1
⑦	handle	1	⑯	Teflon tape	1
			⑰	Instruction manual	1

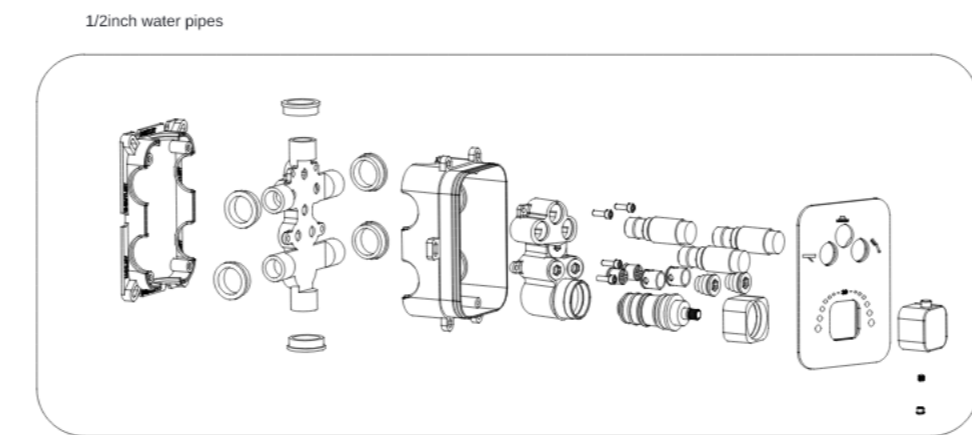
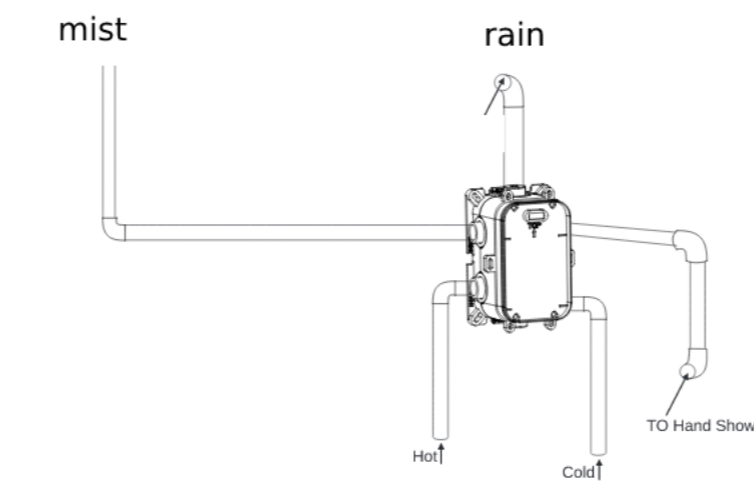
Product List

Please check the accessories with following table, if there is anything missing please contact customer service immediately.

Wall mounted shower items

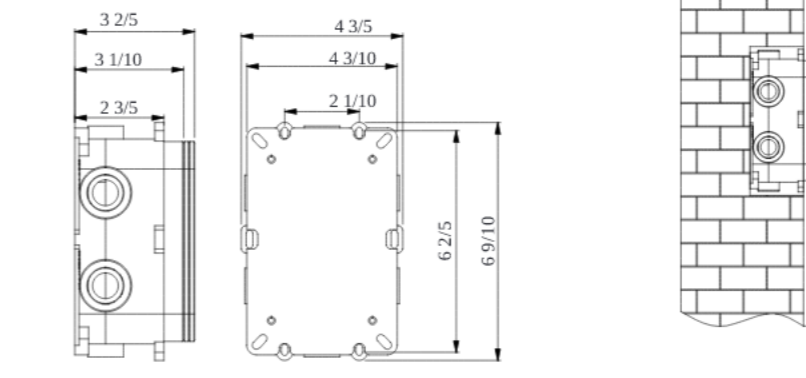


Serial number	name	Quantity	Serial number	name	Quantity
①	Top shower head	1	⑩	Hand shower holder	1
②	wall mounted shower arm	1	⑪	Hand shower holder	1
③	Shower arm decoration cap	1	⑫	Hand shower	1
④	Embedded box	1	⑬	Shower hose	1
⑤	Shower valve	1	⑭	Kits	1
⑥	panel	1	⑮	gloves	1
⑦	handle	1	⑯	Teflon tape	1
			⑰	Instruction manual	1

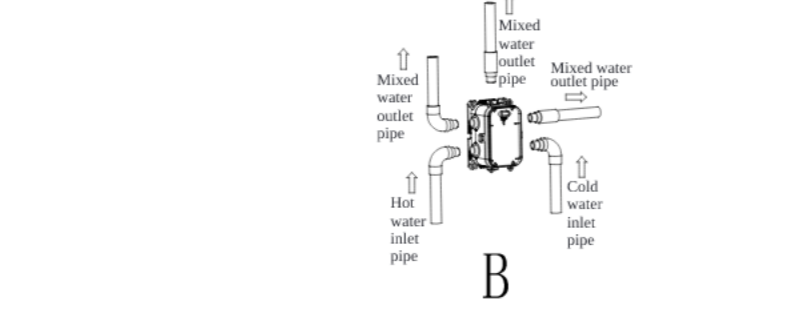


Note: Do not disassemble this product under non-professional guidance. Pictures are for reference only. All the spare parts are subject to the actual product.

Basic Size

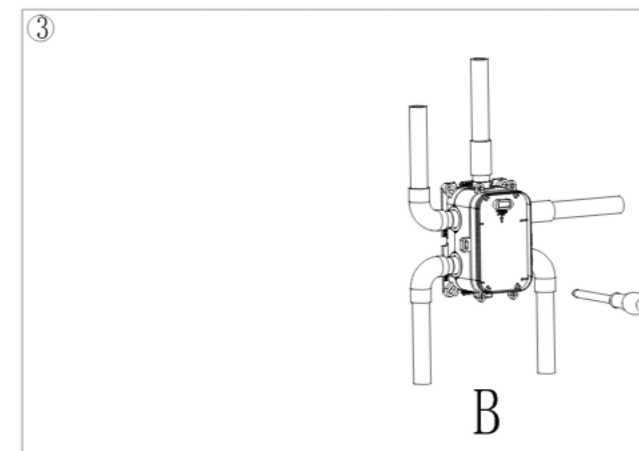


According to the basic size of the embedded box, use a special tool to open the main hole on the solid wall. As shown in the figure, it should be considered that the depth of the wall after the final treatment and the bottom of the opening is 3 1/10-3 3/5 inch between, the width is between 4 7/10-4 9/10 inch, and the height is between 6 9/10-7 1/10 inch.

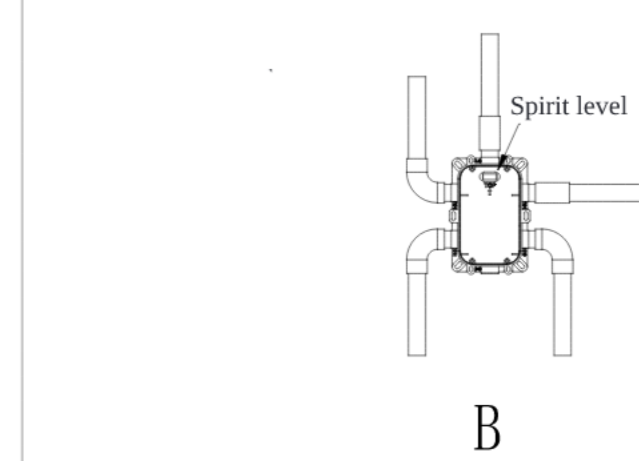


As shown in the figure, the inlet and outlet pipes are embedded. Pay attention to the correct direction of installing the embedded box. Be sure to mark the top of the baffle upward, and the vertical direction of the embedded box. The lower left interface is connected to the hot water pipe. The interface is connected to the cold water pipe, the upper left interface is connected to the top spray pipe, and the upper right interface is connected to the handheld pipe.

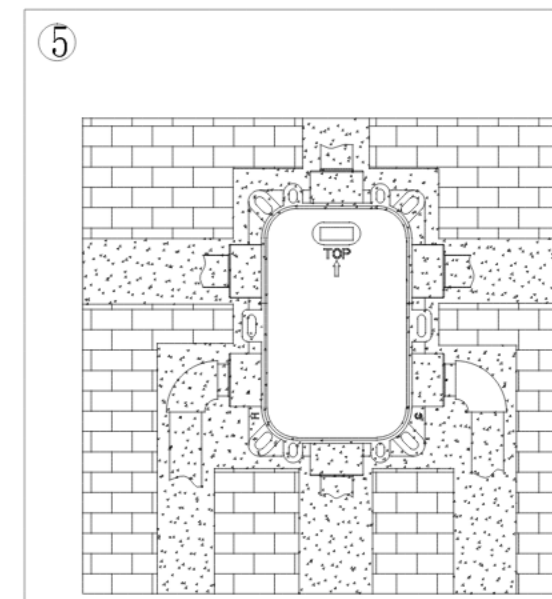
Note: Please strictly follow the cold and hot water pipes shown in the diagram to connect the main body cold water and hot water to the correct position to avoid reverse installation.



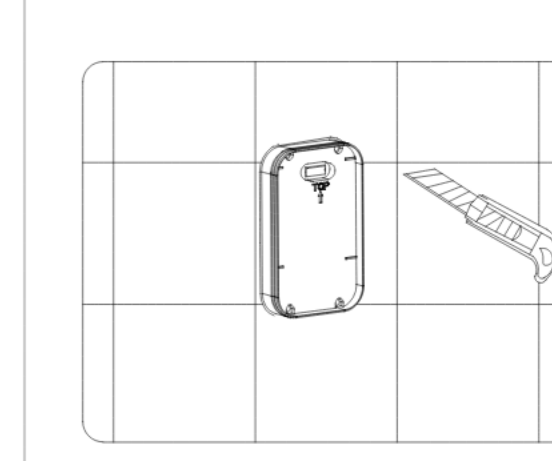
Open the water source to test whether the left and right inlet pipes are connected tightly and without leakage. After the inlet pipe is tested, adjust the flow switch to be on to test whether the mixed water outlet pipes are tightly connected without leakage. At the same time, the water retention function is installed according to the embedded box. Built-in box with self-tapping screws in solid wall is fixed on the wall.



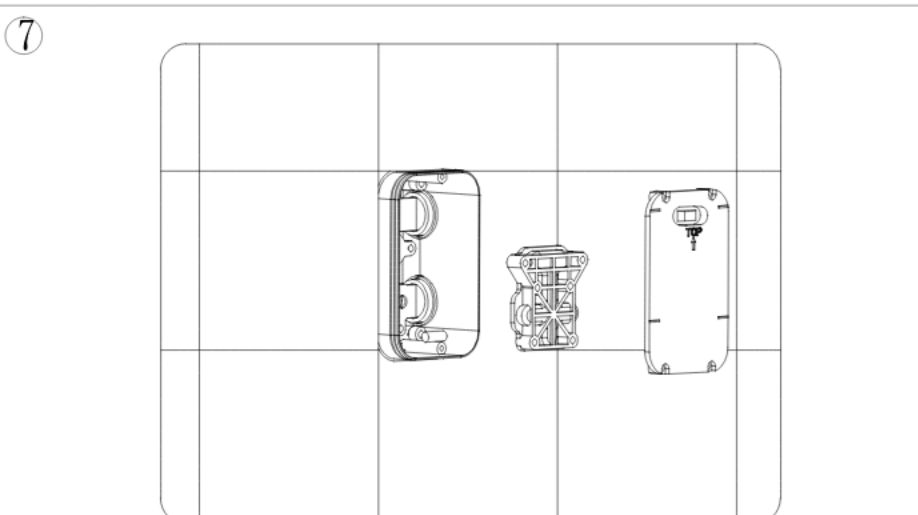
As shown in the figure, our company's embedded box has a built-in spirit level to correct the installation of the embedded box. It is best to move the mercury to the center of the spirit level. If it is not installed properly, it will affect the panel installation effect.



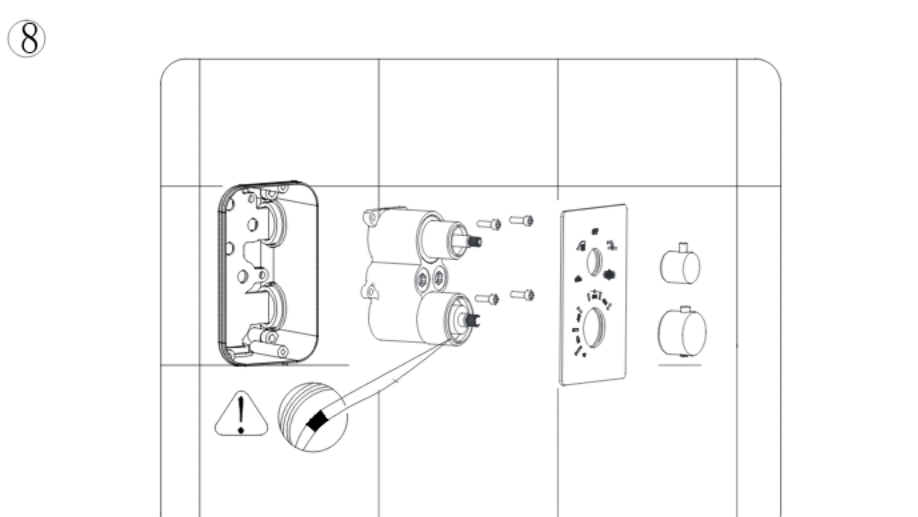
Make sure that the pipe connection is correct and that the test water has no leakage. After the installation of the other embedded components of the showers complete, the embedded box and the pipeline are sealed and fixed with filler.



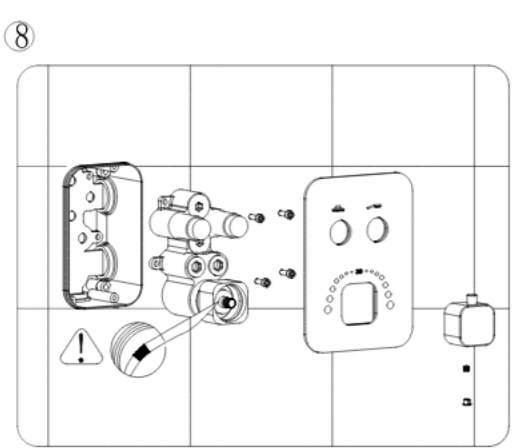
As shown in the figure, the external leakage embedded box is cut off, and the subsequent control valve installation can be performed after the wall is laid.



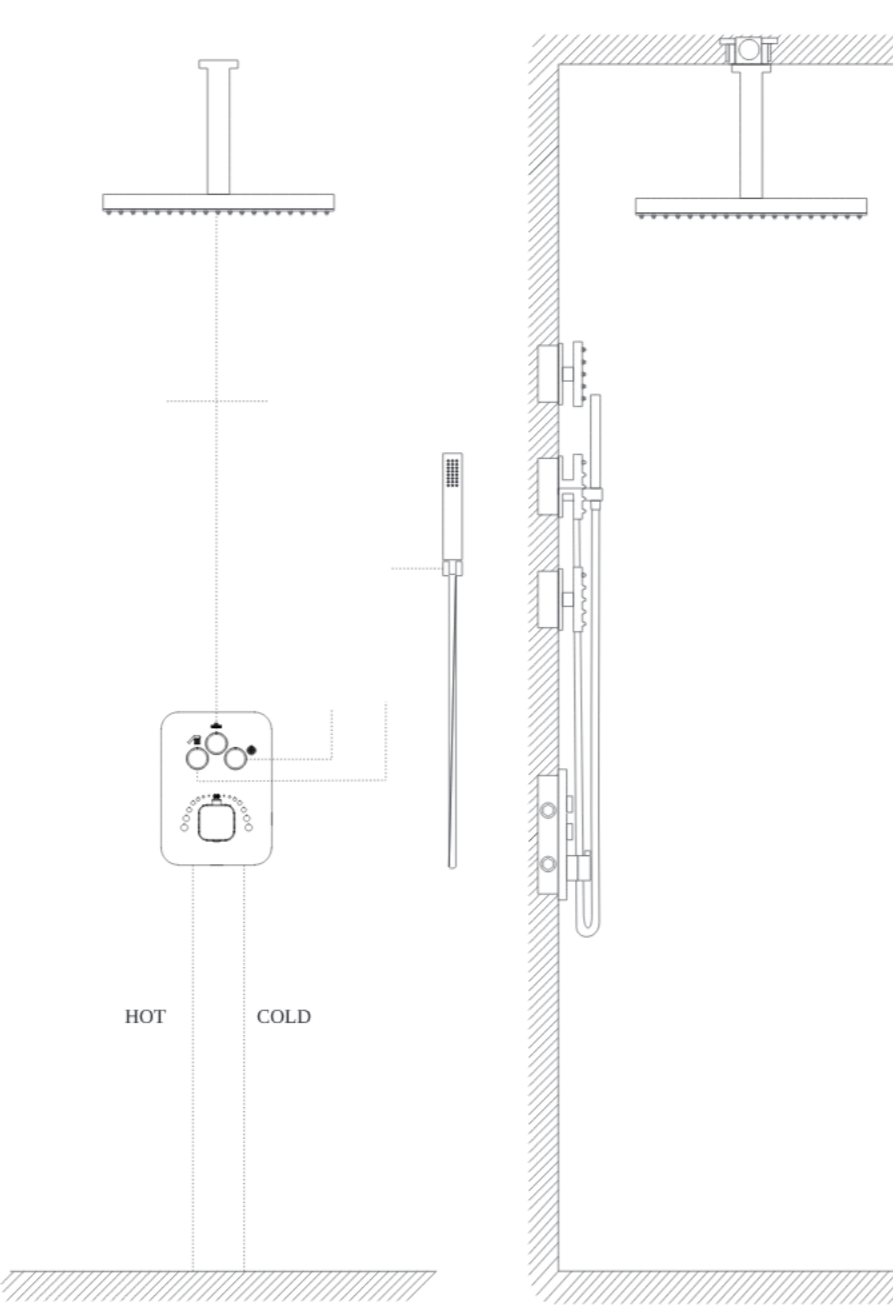
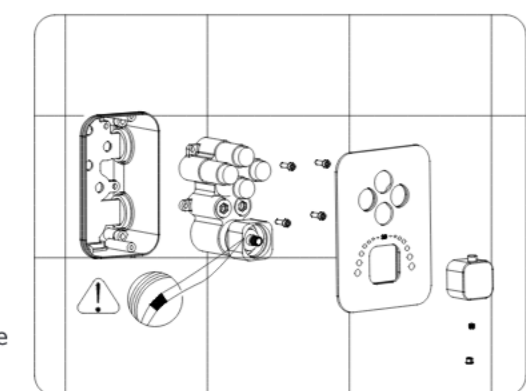
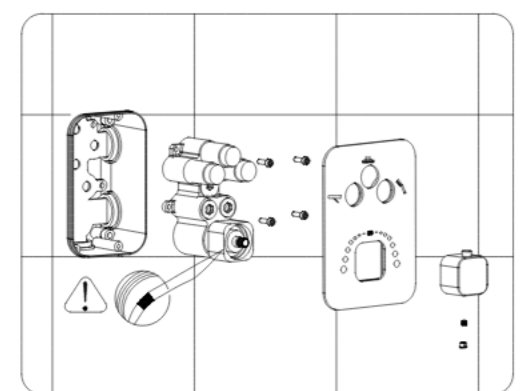
Take out the spirit level installation cover box and test water cover as shown in the figure.



As shown in the figure, install the control valve, and then install the switch handle. Pay attention to the red pen mark. Use the small hexagon wrench included in the package to fix the switch handle clockwise on the valve body of the control valve. The direction of the handle stem is 38 ° position.



As shown in the figure, install the control valve, and fix the thermostatic control valve with the screws that originally removed the flap. After fixing the control valve, open the water pipe switch. Please pay attention to check whether there is any leakage between the control valve and the base. Control the valve and check whether the 6 rubber rings under the control valve are installed correctly. After the inspection, please reinstall the control valve. Then test whether the diverter spool is normal. The next step is to test whether the water temperature is 38 ° ± 1 under normal use. If there is high or low temperature, please check if the red pen mark on the thermostat spool is aligned. If the temperature is not constant, please check whether the hot or cold water pipes and the hot and cold water inlets of the main body are installed correctly. After testing all functions, please install the panel and the switch handle. Make sure that the direction of the handle bar is facing the 38 ° position.



◆ Install the rain shower head

