

THERMOSTATIC SHOWER Series INSTALLATION GUIDE



A



B



C



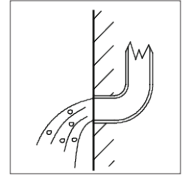
D

CONTENT

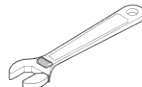
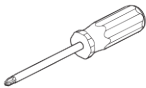
■ Installation condition	1
■ 6058/6063 Luxury 3-Function Thermostatic Shower System	2
■ 6088 Double Shower 3-Function Thermostatic Shower System	8
■ 6089 Luxury 4-Function Thermostatic Shower System	14
■ Care and Maintenance	21

◆ Installation Condition

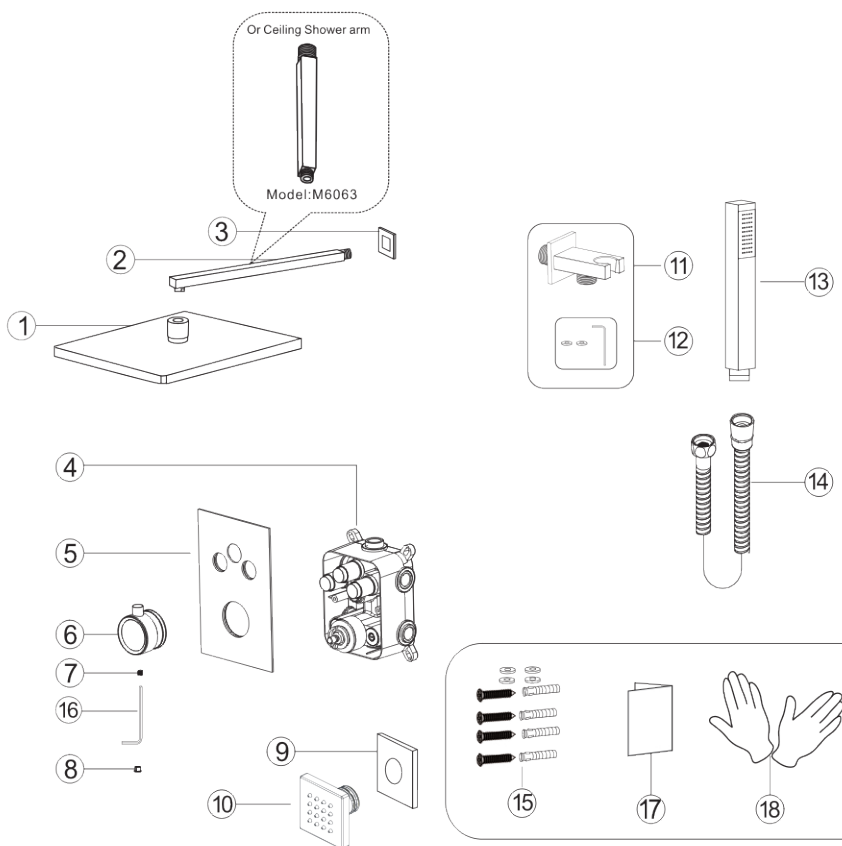
1. Check the Accessories List to verify that all parts are complete in this package.
2. Do not disassemble the main body by yourself.
3. Connect inlet pipes to supply valves.
4. Make sure inlet pipes and supply valves have been installed and cleaned, with no impurities in the pipeline.
5. After installation, check all joints for leakages.
6. Do not leave the rain shower system exposed to a severely corrosive environment.



YOU MAY NEED:



◆ **Luxury 3-Function Thermostatic Shower System**
Model:M6058
PRODUCT LIST

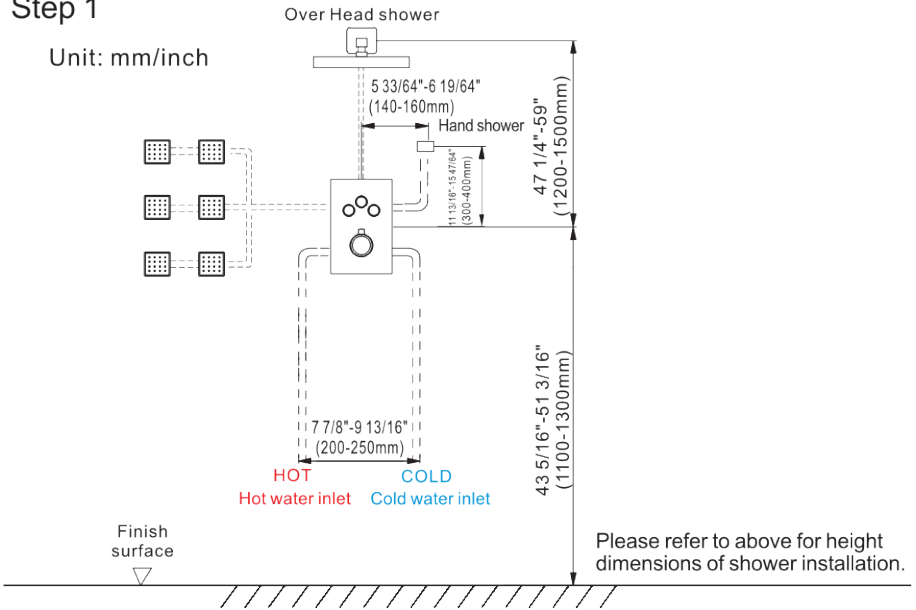


No.	Part name	Qty	No.	Part name	Qty
1	Shower head	1	11	Hand shower holder	1
2	Shower arm	1	12	Holder parts	1
3	Shower arm cup	1	13	Hand shower	1
4	Main body	1	14	Shower hose	1
5	Panel	1	15	Body box fittings	4
6	Handel	1	16	Handle wrench	1
7	Valve screw	1	17	Instruction manual	1
8	Handle cap	1	18	Gloves	2
9	Body jet cup	6			
10	Body jet	6			

◆ **Essential Dimensions**

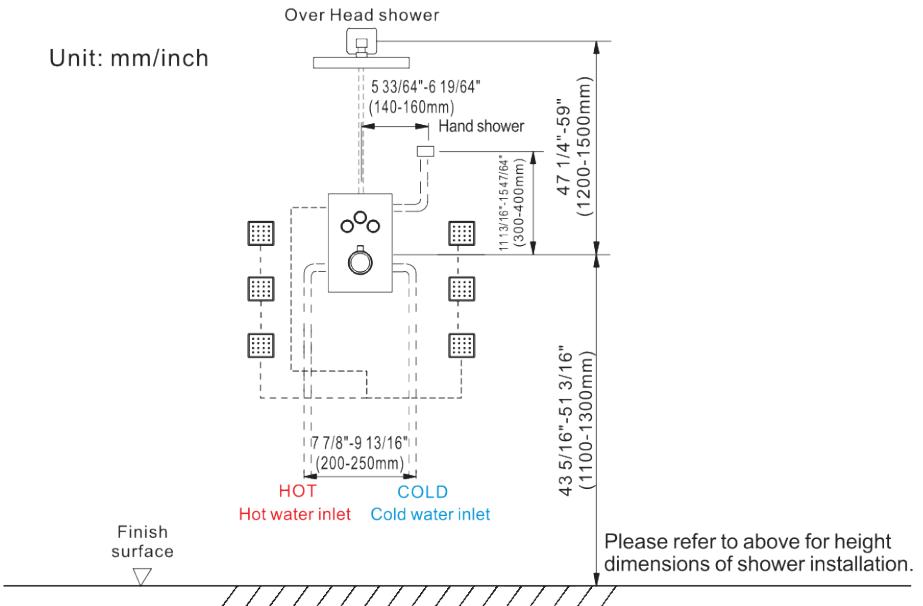
Step 1

Unit: mm/inch



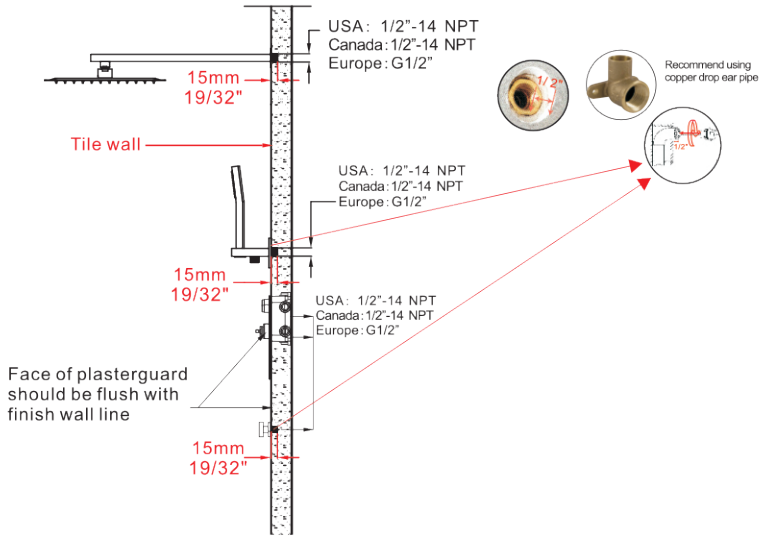
Step 2

Unit: mm/inch



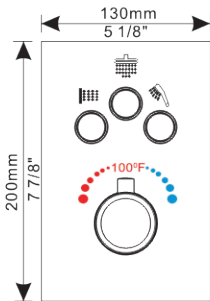
◆ Installation Depth Of Shower Arm&shower holder & body Jet

Unit:mm/inch

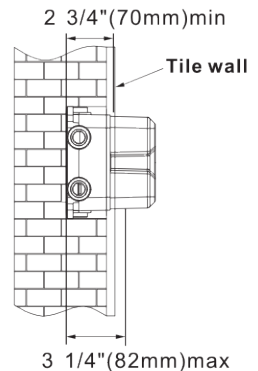


The installation depth of shower arm & shower holder & body jet can't over 19/32"(15mm)so the thickness of tile must be calculated before installation.

◆ Installation Depth of Main Body

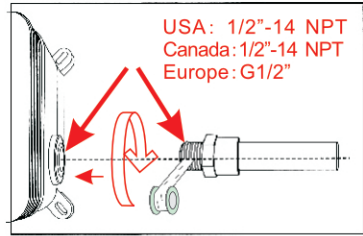
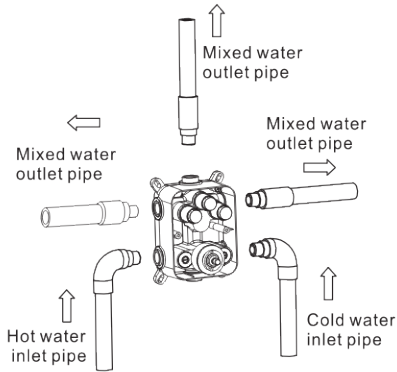


All button can be turned on at the same time and they could be turned on separately too.



- Notice:**
- 1.The installation depth of main body should be no less than 2 3/4"(70mm) and no more than 3 1/4"(82mm), including the thickness of tile. Other wise,the panel cannot be installed.
 - 2.The opening size of ceramic tile shall be smaller than the panel size

◆ Main Body Connecting Pipe Schematic Diagram

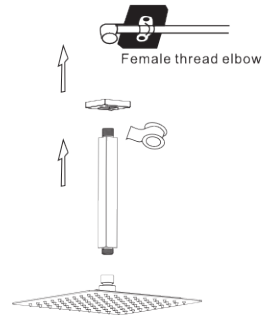
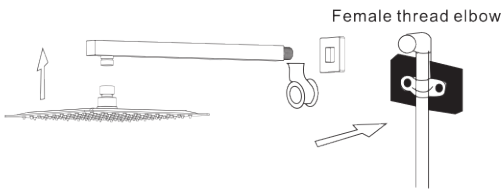


1. Connect the water pipes as illustrations. Please make sure the mark ↑ is facing upward.
2. Before tiling, turn on the water and pull the shower handle to check for leakages.



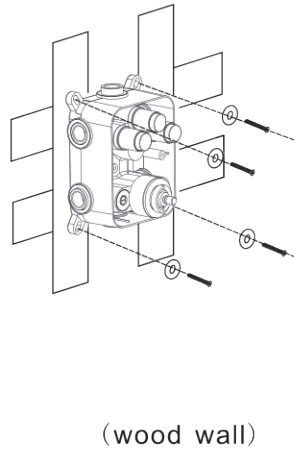
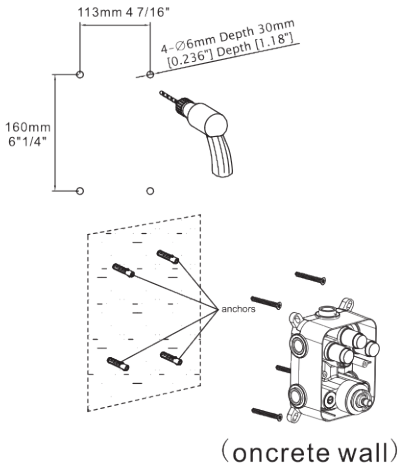
Warning: must install hot water and cold water inlet strictly as instructions.

◆ Installation Of Rain Shower Head & Shower Arm



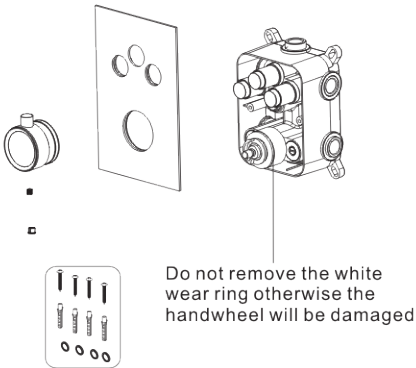
1. Connect shower arm with the cover before screwing arm into riser connection to prevent damage.
2. Fix shower head onto shower arm and apply tape to pipe threads on both ends.
3. Do not overtighten shower head. It is 360° swivel connection.

◆ Main Body valve installation



1. Make marks according to the size of the main body valve and then drill anchors into the wall (concrete wall)
 2. Lock main body to wood directly with screws (wood wall)
- ▲ Please note that the level meter should be parallel with the wall, otherwise the panel cannot be installed.

◆ Main Body valve installation

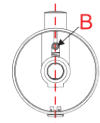
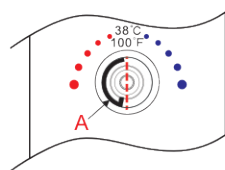


Precautions for handwheel installation

※1: The line can't misplace, it should be kept in a line, otherwise the water temperature of 100 F or 38 C will not be correct.

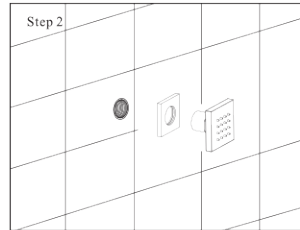
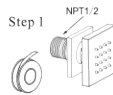
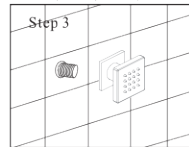
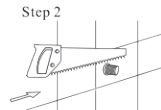
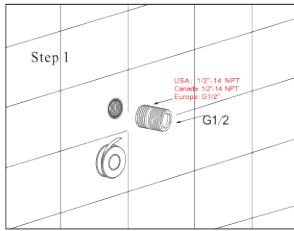


※2: Please ensure that A Plastic locating ring and B handwheel locating pin kept in the same line with 100 F or 38 C. Otherwise, the water temperature will be wrong.



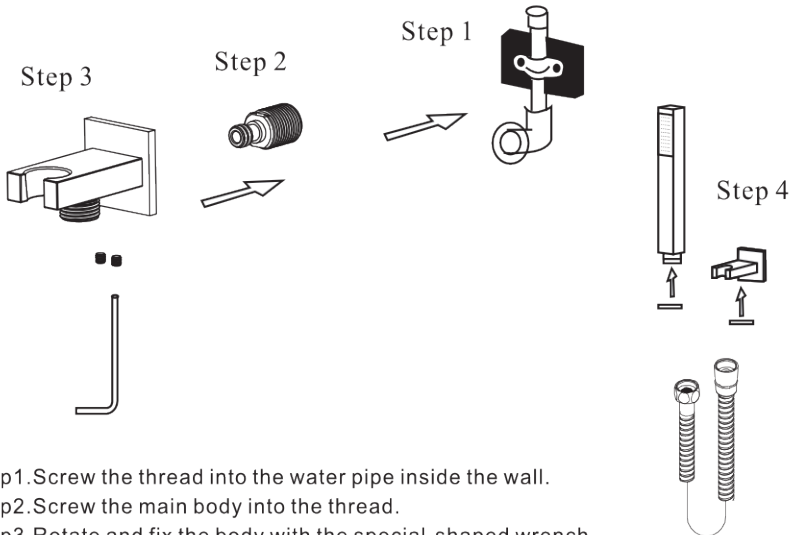
1. Use Valve gasket spare parts and to fixed Main body on the wall and then install Panel.
2. Please fix the main body to the wall remove the plastic protective cover and install panel water diverter screw and water diverter cap step by step.
3. Install the handle with the screw and handle cap.

◆ Body Jets Installation



- Step 1. Wrap the threaded pipe of NPT1/2 with Teflon tape and screw it into the wall.
 Step 2. Cut off excess part with a saw.
 Step 3. Screw the massage body jet onto the wall.

◆ Hand Shower Holder Installation

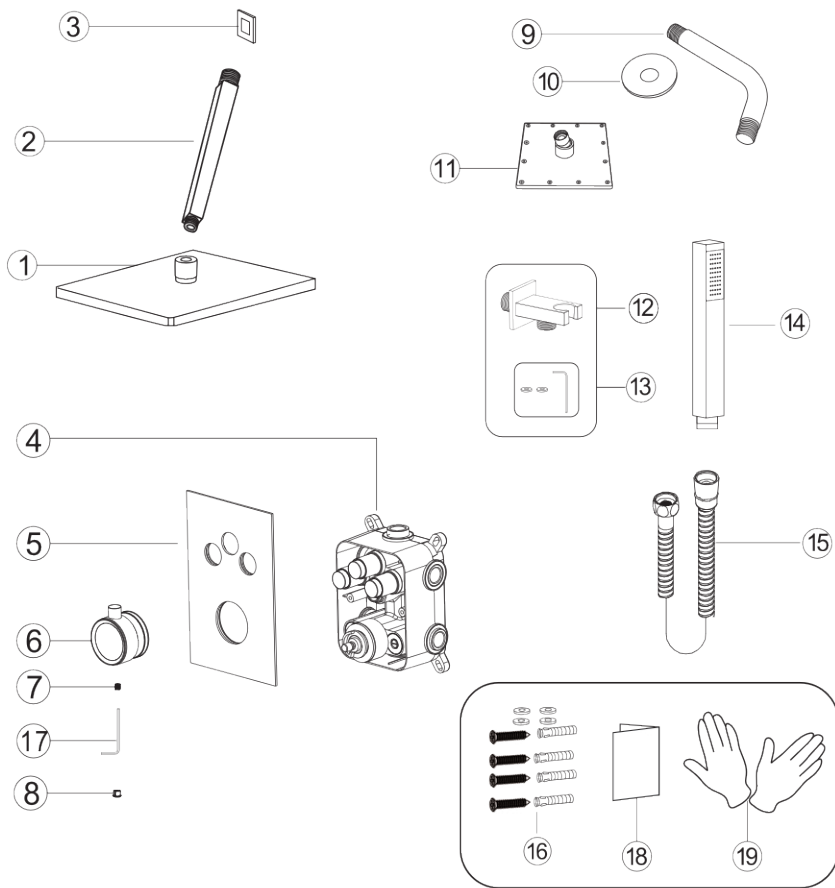


- Step 1. Screw the thread into the water pipe inside the wall.
 Step 2. Screw the main body into the thread.
 Step 3. Rotate and fix the body with the special-shaped wrench.
 Step 4. Connect hand shower and the hose.

◆ **Luxury 3-Function Thermostatic Shower System**

Model:M6088

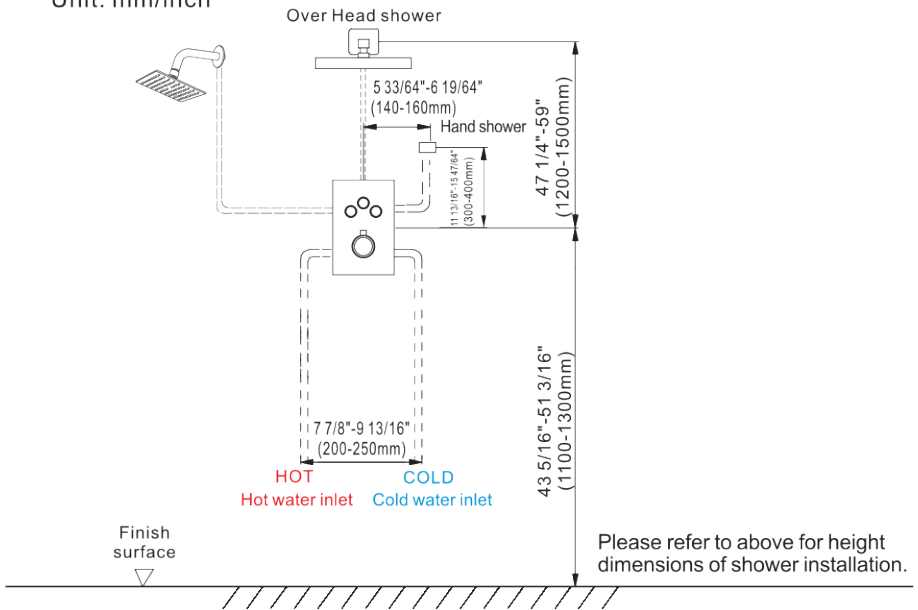
PRODUCT LIST



No.	Part name	Qty	No.	Part name	Qty
1	Shower head	1	11	6in Shower head	1
2	Shower arm	1	12	Hand shower holder	1
3	Shower arm cup	1	13	Holder parts	1
4	Main body	1	14	Hand shower	1
5	Panel	1	15	Shower hose	1
6	Handel	1	16	Body box fittings	4
7	Valve screw	1	17	Handle wrench	1
8	Handle cap	1	18	Instruction manual	1
9	Shower arm		19	Gloves	2
10	Shower arm cup	1			

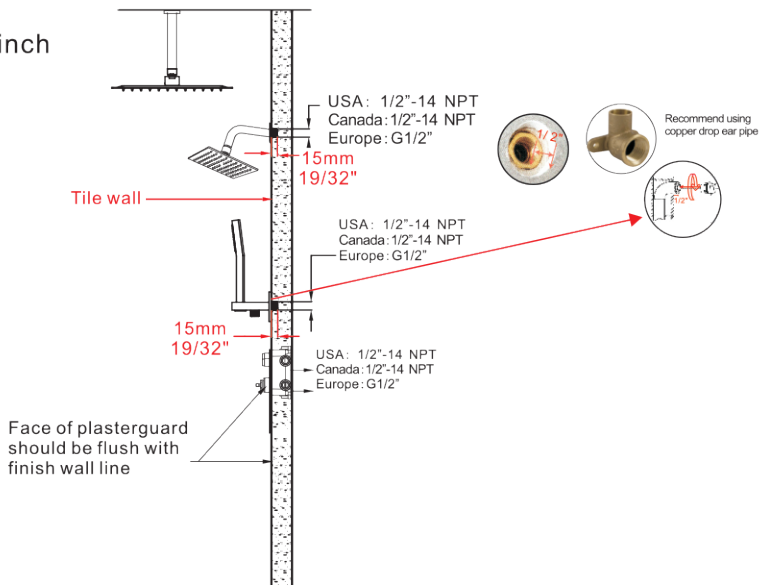
◆ Essential Dimensions

Unit: mm/inch



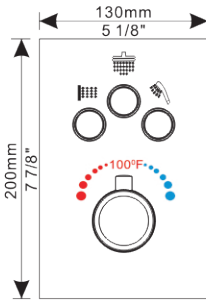
◆ Installation Depth Of Shower arm&shower Holder&body Jet

Unit: mm/inch

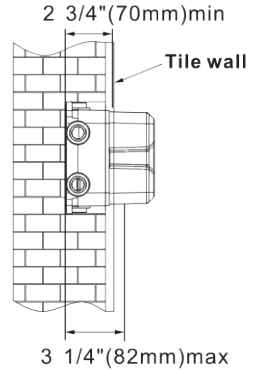


The installation depth of shower arm & shower holder & body jet can't over 19/32"(15mm) so the thickness of tile must be calculated before installation.

◆ Installation Depth of Main Body

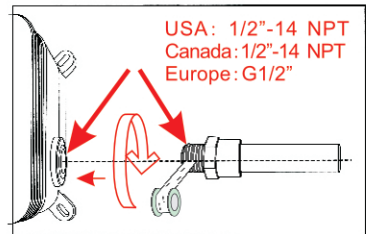
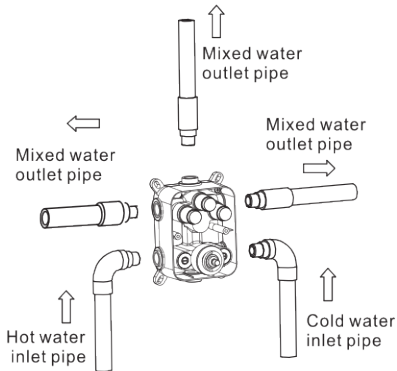


All button can be turned on at the same time and they could be turned on separately too.



- Notice:** 1. The installation depth of main body should be no less than 2 3/4" (70mm) and no more than 3 1/4" (82mm), including the thickness of tile. Other wise, the panel cannot be installed.
2. The opening size of ceramic tile shall be smaller than the panel size

◆ Main Body Connecting Pipe Schematic Diagram

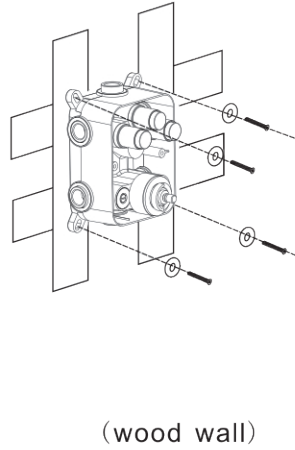
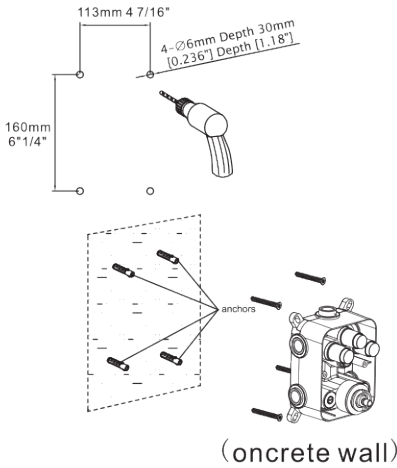


1. Connect the water pipes as illustrations. Please make sure the mark ↑ is facing upward.
2. Before tiling, turn on the water and pull the shower handle to check for leakages.



Warning: must install hot water and cold water inlet strictly as instructions.

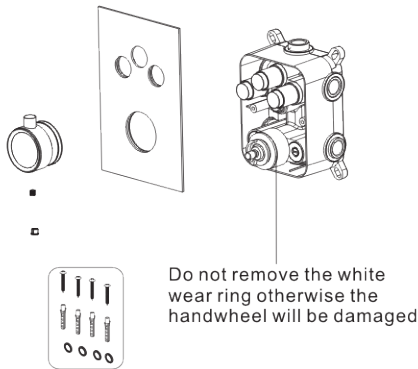
◆ Main Body valve installation



1. Make marks according to the size of the main body valve and then drill anchors into the wall (concrete wall)
2. Lock main body to wood directly with screws (wood wall)

▲ Please note that the level meter should be parallel with the wall, otherwise the panel cannot be installed.

◆ Main Body valve installation

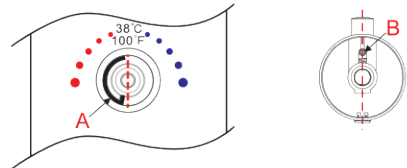


Precautions for handwheel installation

※1: The line can't misplace, it should be kept in a line, otherwise the water temperature of 100 F or 38 C will not be correct.

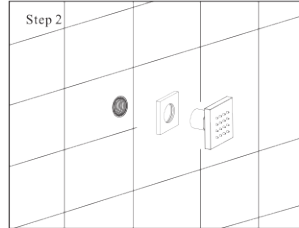
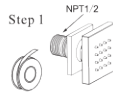
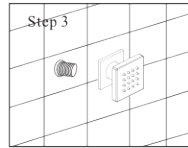
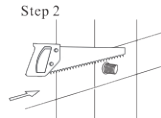
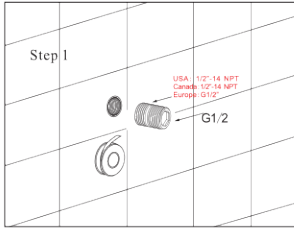


※2: Please ensure that A Plastic locating ring and B handwheel locating pin kept in the same line with 100 F or 38 C. Otherwise, the water temperature will be wrong.



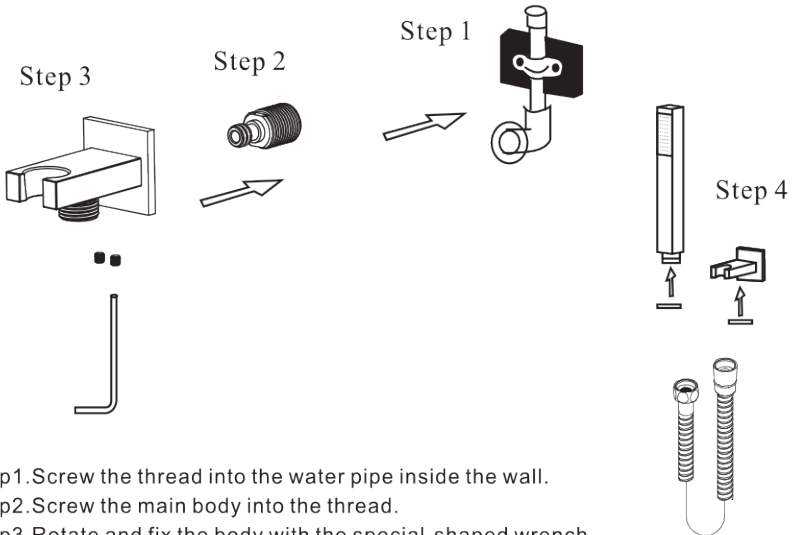
1. Use Valve gasket spare parts and to fixed Main body on the wall and then install Panel.
2. Please fix the main body to the wall remove the plastic protective cover and install panel water diverter screw and water diverter cap step by step.
3. Install the handle with the screw and handle cap.

◆ Body Jets Installation



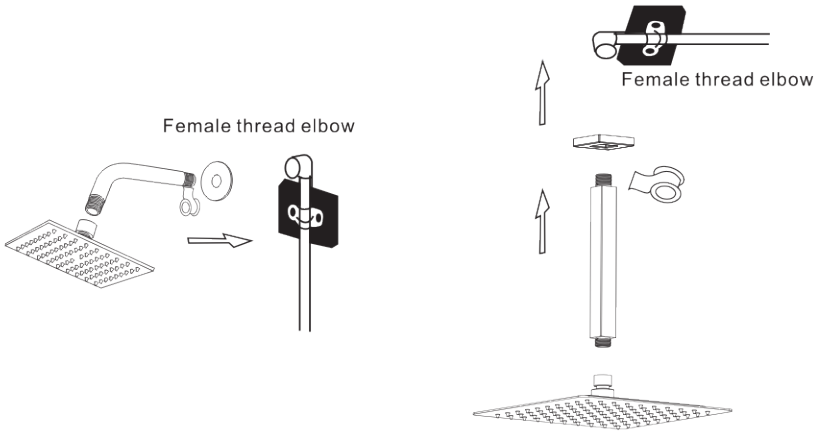
- Step 1.Wrap the threaded pipe of NPT1/2 with Teflon tape and screw it into the wall.
 Step 2.Cut off excess part with a saw.
 Step 3.Screw the massage body jet onto the wall.

◆ Hand Shower Holder Installation



- Step1.Screw the thread into the water pipe inside the wall.
 Step2.Screw the main body into the thread.
 Step3.Rotate and fix the body with the special-shaped wrench.
 Step4.Connect hand shower and the hose.

◆ Installation Of Rain Shower Head & Shower Arm

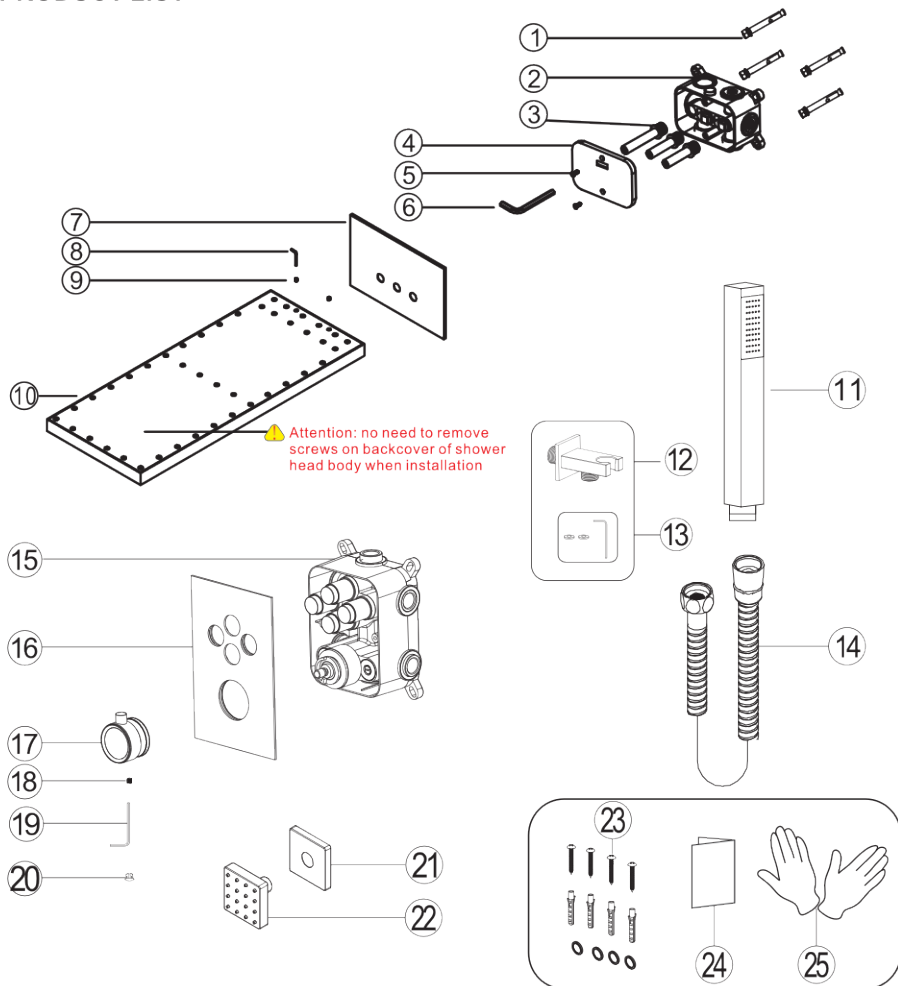


1. Connect shower arm with the cover before screwing arm into riser connection to prevent damage.
 2. Fix shower head onto shower arm and apply tape to pipe threads on both ends.
 3. Do not overtighten shower head. It is 360° swivel connection.
-

◆ Luxury 4-Function Thermostatic Shower System

Model: 6089

PRODUCT LIST

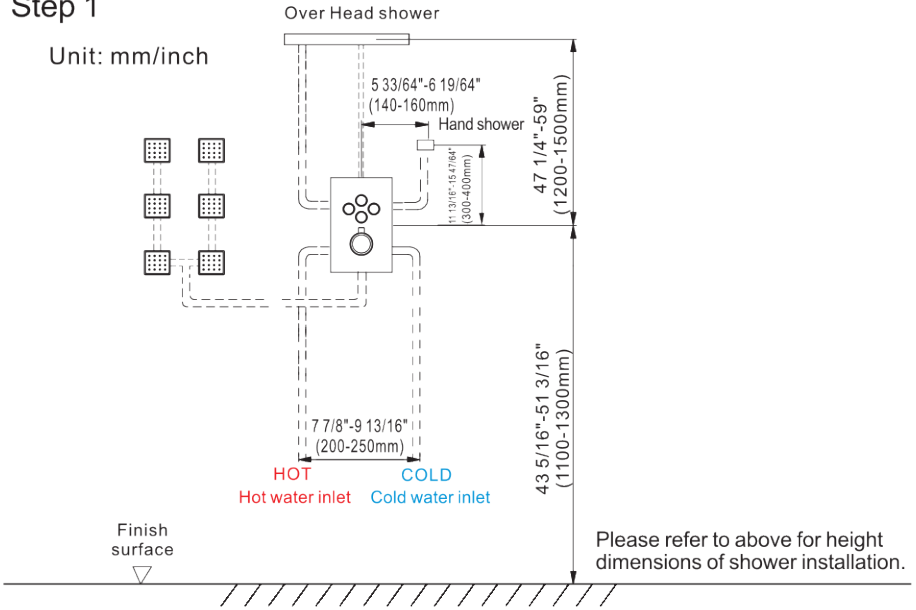


No.	Part name	Qty	No.	Part name	Qty	No.	Part name	Qty
1	Expansion screws	4	10	Shower head body	1	19	Handle wrench	1
2	Inwall box	1	11	Shower hand	1	20	Handle cap	1
3	Waterinlet	3	12	Hand show holer	1	21	Body jet cup	6
4	Cover	1	13	Holder parts	1	22	Body jet	6
5	Screw	2	14	Shower hose	1	23	Valve gasket spare parts	4
6	S8 Allen key	1	15	Main body	1	24	Instruction manual	1
7	Flange	1	16	Panel	1	25	Gloves	2
8	Allen key 2.5	1	17	Handle	1			
9	M4 screw	2	18	Screw	1			

◆ Essential Dimensions

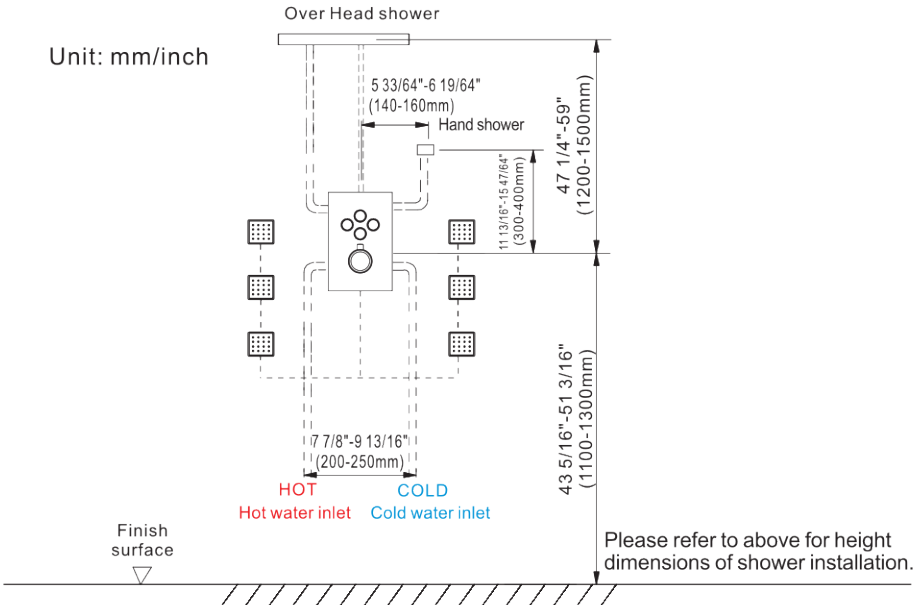
Step 1

Unit: mm/inch



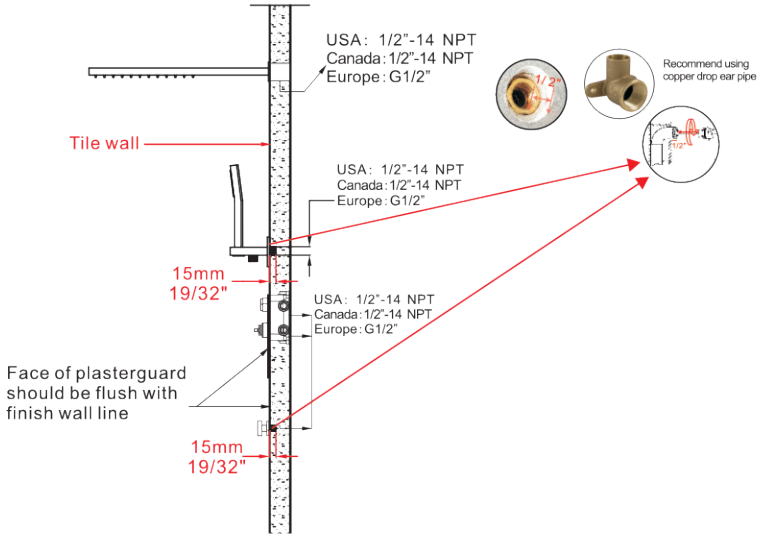
Step 2

Unit: mm/inch



◆ Installation Depth Of Shower Holder & Body Jet

Unit:mm/inch



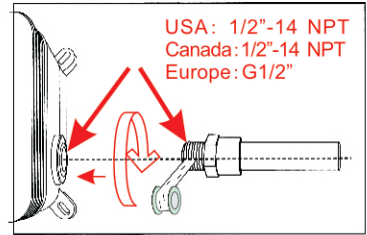
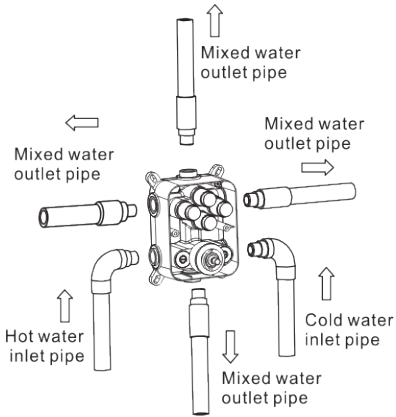
The installation depth of shower holder & body jet can't over 19/32" (15mm) so the thickness of tile must be calculated before installation.

◆ Installation Depth of Main Body



- Notice:**
1. The installation depth of main body should be no less than 2 3/4" (70mm) and no more than 3 1/4" (82mm), including the thickness of tile. Other wise, the panel cannot be installed.
 2. The opening size of ceramic tile shall be smaller than the panel size

◆ Main Body Connecting Pipe Schematic Diagram

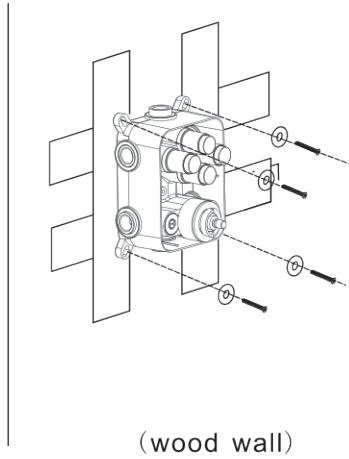
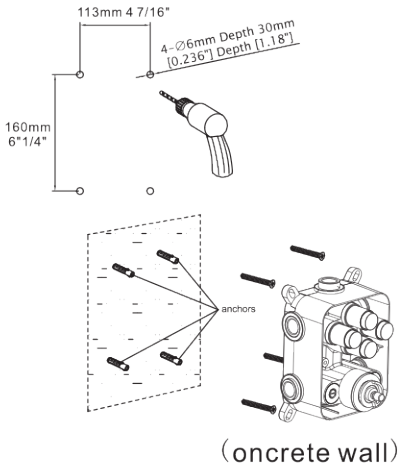


1. Connect the water pipes as illustrations. Please make sure the mark ↑ is facing upward.
2. Before tiling, turn on the water and pull the shower handle to check for leakages.



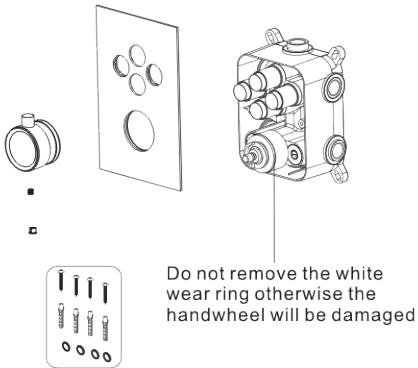
Warning: must install hot water and cold water inlet strictly as instructions.

◆ Main Body valve installation



1. Make marks according to the size of the main body valve and then drill anchors into the wall (concrete wall)
 2. Lock main body to wood directly with screws (wood wall)
- ▲ Please note that the level meter should be parallel with the wall, otherwise the panel cannot be installed.

◆ Main Body valve installation

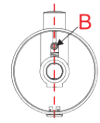
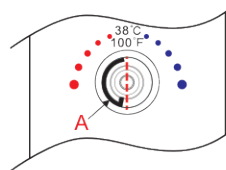


Precautions for handwheel installation

※1: The line can't misplace, it should be kept in a line, otherwise the water temperature of 100 F or 38 C will not be correct.



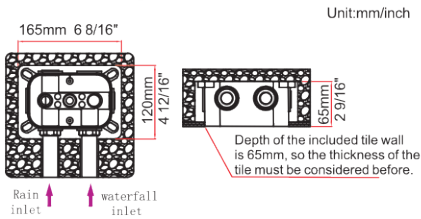
※2: Please ensure that A Plastic locating ring and B handwheel locating pin kept in the same line with 100 F or 38 C. Otherwise, the water temperature will be wrong.



1. Use Valve gasket spare parts and to fixed Main body on the wall and then install Panel.
2. Please fix the main body to the wall remove the plastic protective cover and install panel water diverter screw and water diverter cap step by step.
3. Install the handle with the screw and handle cap.

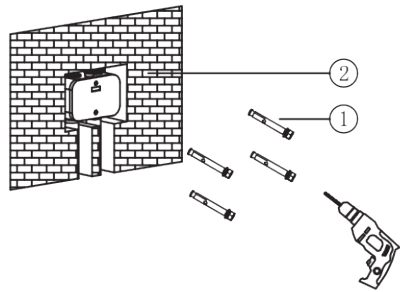
◆ MODEL:6089 22IN SHOWER HEAD INSTALLATION

1. Digging wall according to following size, and connect rain and waterfall inlet correctly

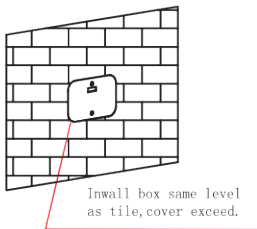


⚠ If the Inwall box is embedded too deep, the shower head will not be installed properly and it will cause water leakage and sag problems. Please pay special attention to the installation depth.

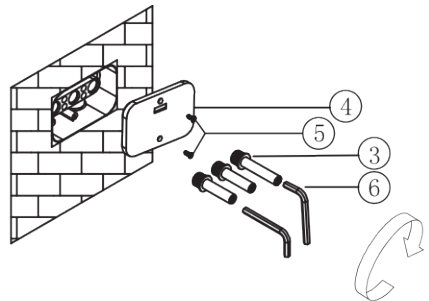
2. Lock Inwall box refer to level meter guarantee horizontal level and test leaking for 24 hours.



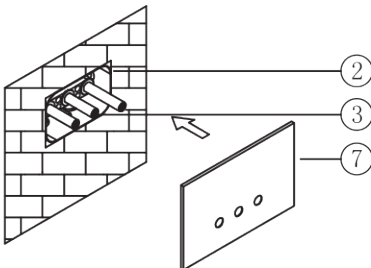
3. Remain inwall box in same level as wall after seal the tile and cover exceed wall.



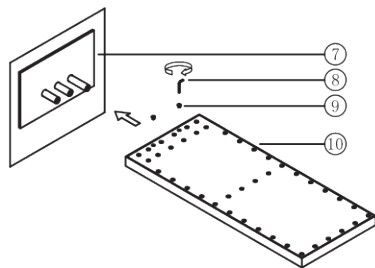
4. Install Shower head body. First remove box cover and plug, screw three water inlets into inwall box with S8 Allen Key. Longest role is support.



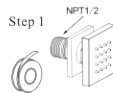
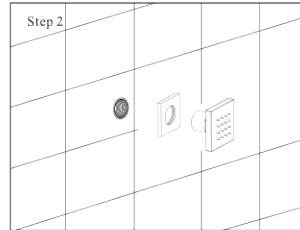
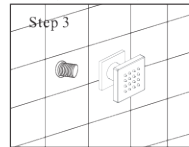
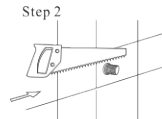
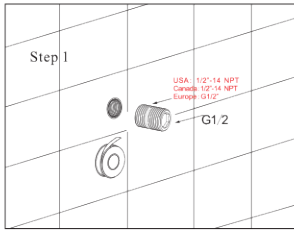
5. Install Flange as picture. Caution: do setp 4-5-6 to test horizontal and vertical position of shower head before wall seal to avoid any trouble of repair after wall seal.



6. Push shower head body into according water inlets, and tighten shower body by M4 screw with Allen key 2.5.

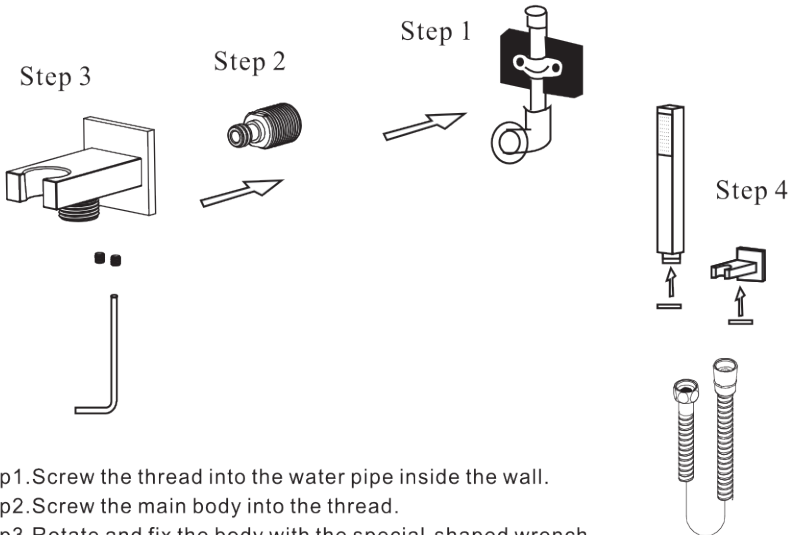


◆ Body Jets Installation



- Step 1.Wrap the threaded pipe of NPT1/2 with Teflon tape and screw it into the wall.
 Step 2.Cut off excess part with a saw.
 Step 3.Screw the massage body jet onto the wall.

◆ Hand Shower Holder Installation



- Step1.Screw the thread into the water pipe inside the wall.
 Step2.Screw the main body into the thread.
 Step3.Rotate and fix the body with the special-shaped wrench.
 Step4.Connect hand shower and the hose.

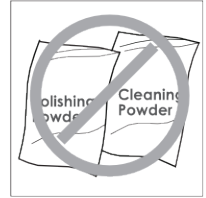
◆ CARE AND MAINTENANCE

In order to keep the mixer surface bright , please clean the mixer regularly.

Rinse faucet with clean water and wipe with soft cotton cloth.

Avoid using cleaning powder , harsh cleaning chemicals, brushes, and cloth with coarse surface to prevent scratching and corrosion.

Do not use acid cleaner to clean the faucet as it may cause surface corrosion of the faucet. If the faucet comes into contact with harmful acid substances, please rinse it with water immediately.



◆ IF A LARGE-SCALE CLEAN-UP IS NECESSARY, FOLLOW THESE PROCEDURES:

1: Use clean water and soft cloth to remove dirt on the surface as much as possible.

2: Use one of the following cleaners to remove dirt on the surface

Mild liquid cleaner.

Colorless glass cleaner, powder cleaner which does not have abrasive function and can be dissolved completely.

Polish liquid which does not have abrasive function.

3: After cleaning, remove the cleansing agent with clean water completely and wipe with soft cotton cloth.

