

brewista®

ARTISAN Cupping Kettle

variable temperature kettle

1.7L BA17VK Series



**READ THIS MANUAL PRIOR TO FIRST USE
AND SAVE FOR FUTURE REFERENCE**

Household Use Only

1-year Limited Warranty

IMPORTANT SAFEGUARDS

When using electrical appliances, basic safety precautions should always be followed including the following:

- Read all instructions.
- Do not touch hot surfaces. Use handles or knobs.
- To protect against fire, electric shock and injury to persons, do not immerse cord, plugs, base or kettle in water or other liquid.
- Never leave the appliance unattended when in use. Close supervision is necessary when any appliance is used by or near children.
- Unplug from outlet when not in use, no water in kettle, filling water, moving kettle and before cleaning. Allow to cool before putting on or taking off parts, and before cleaning the appliance.
- Do not operate any appliance with a damaged cord or plug or after the appliance malfunctions, or has been damaged in any manner. Contact our Customer service email address hello@brewista.co for assistance.
- Do not use a base unit other than the one supplied. The use of accessory attachments that are not recommended by the appliance manufacturer may result in fire, electric shock or injury to persons.
- Do not use outdoors.
- Do not let cord hang over edge of table or counter, or touch hot surfaces. Always store excess portion of the power cord in the compartment of the base unit.
- Electric kettle must be operated on a flat surface. Do not place on or near a hot gas or electric burner, in a heated oven, or on the top of other electric appliances.
- Always attach plug to appliance first, then plug cord into the wall outlet. To disconnect, turn control to off, then remove plug from wall outlet.
- Do not use appliance for any purpose other than intended use.
- To avoid circuit overload, do not operate another high wattage appliance on the same circuit.
- Do not fill kettle when positioned on base. Remove all moisture on the bottom of the body before placing it onto the power base.
- Be aware of steam being emitted from spout or lid especially during refilling. Do not remove lid during boiling cycle.
- Do not use the kettle to heat anything other than water. Do not fill above the "max" indication. Do not operate kettle if water is below minimum marking. If the kettle is overfilled, boiling water may be ejected. The kettle is only to use with the base unit provided.
- Do not insert any object into slots or holes of the kettle.
- Scalding may occur if the lid is removed during the boiling cycles.

SAVE THESE INSTRUCTIONS

- If the supplied cord is damaged, it must be replaced by the manufacturer, its service agent, or a similarly qualified person in order to avoid hazard.
- The appliance can be used by children ages 8 years and older and persons with reduced physical, sensory, or mental capabilities or lack the experience and knowledge if they have been given supervision or instruction concerning the use of the appliance in a safe way and understand the hazards involved. Cleaning and user maintenance shall not be made by children unless they are older than 8 and supervised.
- Keep the appliance and its cord out of reach of children less than 8 years old.
- Do not remove the lid while water is boiling
- Do not operate the kettle on an inclined plane.
- Do not operate the kettle unless the element is fully connected.
- Do not move while the kettle is switched on.

SAVE THESE INSTRUCTIONS

ADDITIONAL SAFEGUARDS

DO NOT OPERATE APPLIANCE IF THE LINE CORD SHOWS ANY DAMAGE OR IF APPLIANCE WORKS INTERMITTENTLY OR STOPS WORKING ENTIRELY.

EXTENSION CORDS

A short power-supply cord is to be provided to reduce the risk resulting from becoming entangled in or tripping over a longer cord. Longer detachable power-supply cords or extension cords are available and may be used if care is exercised in their use. If a longer detachable power-supply cord or extension cord is used,

- 1) The marked electrical rating of the cord set or extension cord should be at least as great as the electrical rating of the appliance, and
- 2) The extension cord should be a grounding-type 3-wire cord, and
- 3) The longer cord should be arranged so that it will not drape over the countertop or tabletop where it can be tripped over, snagged, or pulled on unintentionally (especially by children).

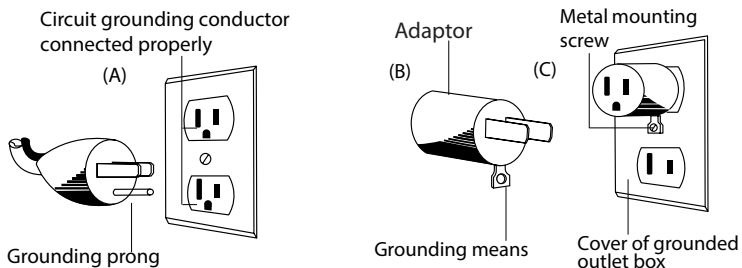
GROUNDING INSTRUCTIONS

This appliance must be grounded while in use.

CAUTION: To ensure continued protection against risk of electric shock, connect to properly grounded outlets only.

GROUNDING INSTRUCTIONS

In North American markets the appliance has a plug that looks like Figure A. **DO NOT attempt to insert a power cord into an incompatible outlet.** Appliance damage, electrical system damage or physical harm may result. An adaptor, as shown in Figure B, should be used for connecting a 3-prong grounding plug to a 2-wire receptacle. The grounding tab, which extends from the adaptor, must be connected to a permanent ground such as a properly grounded receptacle as shown in Figure C, using a metal screw.



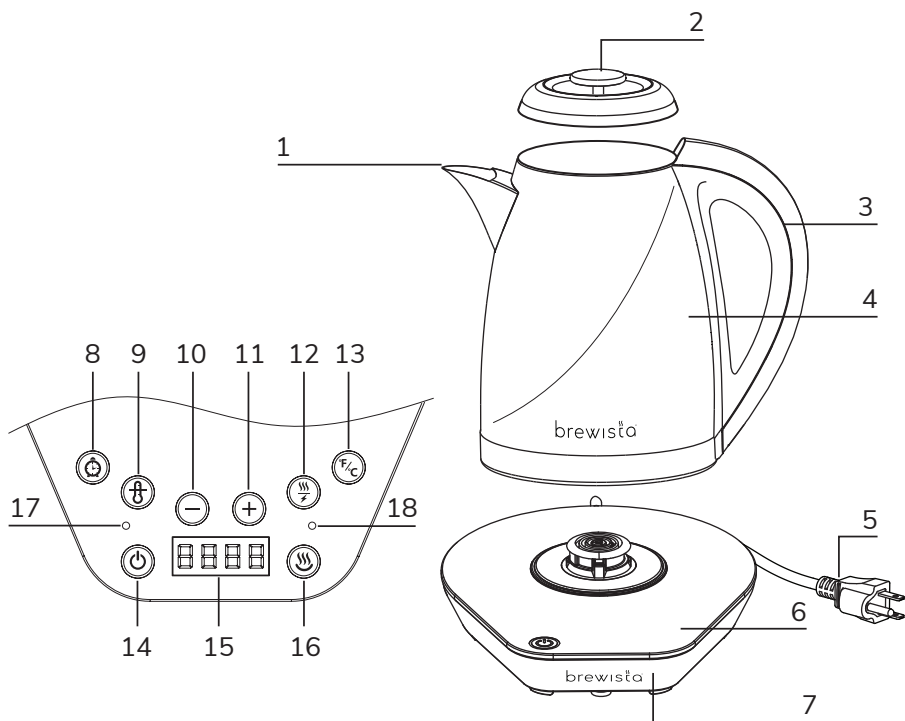
Warning: This appliance utilizes a high wattage relay for arriving at the desired water temperature. In some instances, this relay may cause slight flickering of lights on the same circuit. It is best to use this appliance on a dedicated circuit or with all other appliances off during this appliance's use. It will not damage electrical systems but caution should be used to not overload this circuit with other appliances running at the same time.

Table of Contents

Cover/Customer Service Information	1
IMPORTANT SAFEGUARDS	2
ADDITIONAL SAFEGUARDS	4
Kettle Components & Interface	6
Operation Illustrations	7
Operation Instructions	7
• Setting Up the Kettle	7
• Preparing the Kettle for First Time Use	8
• Selecting Temperature Display, Fahrenheit or Celsius	8
• Setting the Temperature	8
• Suggested Temperature Chart	8
• Manual Boiling	8
• Selecting a Preset Temperature	8
• Manually Setting the Desired Temperature	9
• Fast Boil Function	10
• Setting the Keep Warm Function	10
• Count-up Timer Feature	10
• Audible Beeping Sounds	10
• Maintenance and Cleaning	11
• Storage	11
• Decalcifying	12
• Preparing Coffee	13
• High Altitude Users	14
• Warnings and Technical Data	14
1-year Limited Warranty Information	15
Correct Disposal of this Product	15

Thank you for purchasing the Brewista Artisan 1.7L Variable Temperature Kettle. This user manual includes important information regarding the setup, use and maintenance of this product. **Please carefully read through this manual and save for future reference.**

Kettle Components & Interface



- | | |
|-------------------------------|---------------------------------|
| 1) Spout | 10) [-] icon |
| 2) Lid | 11) [+] icon |
| 3) Handle | 12) Fast Boil icon |
| 4) Kettle Body | 13) Display degree °F / °C icon |
| 5) Power Cord* | 14) Power icon |
| 6) Reinforced Glass Faceplate | 15) LCD Display |
| 7) Base | 16) Keep Warm icon |
| 8) Count-up Timer icon | 17) Heating Indicator Light |
| 9) Temperature Setting icon | 18) Keep Warm Indicator Light |

* Power Cord on 110-127V models is attached to the base. Power Cord on 220-240V models is removable.

Operation Illustrations



Operation Instructions

Note: Before plugging the kettle into the wall outlet, check that the electrical circuit is not overloaded with other appliances.

1) Setting Up the Kettle:

- Set the base (7) on a flat, steady surface.
- Remove the kettle from the base (7).
- Take off the lid (2).
- Fill the kettle with cold water (illustration A).

IMPORTANT! Do not fill above “max” fill line (1.7L) marked inside of kettle.

- After filling the kettle with water, replace the lid (2) securely and place the kettle firmly on the base (7) (illustration B).
- Plug the power cord into a grounded wall outlet (illustration B).

2) Preparing the Kettle for First Time Use:

- Fill the kettle to the 1.7L “max” fill line with cold water.
- Replace the lid (2).
- Press Power icon (14) (illustration C). LCD display (15) will flash 5 times showing the last-set temperature before beginning the heating cycle.
- Bring water to a boil, then empty the kettle.
- Allow the appliance to cool down for 1 minute.
- Repeat this boil and rinse procedure twice before using.

3) Selecting the Temperature Display, Fahrenheit or Celsius:

- When the base is powered on, press the °F / °C icon (13) to change the temperature display to either Fahrenheit or Celsius.
- Temperature unit can be changed during any mode of operation except for Timer mode.

4) Setting the Temperature:

Note: At higher altitudes water boils at lower temperatures. Do not set the temperature above the water boiling point. Refer to the graph in the “High Altitude Users” section later in this manual to determine the boiling temperature for your altitude.

Suggested Temperature Chart:

Beverage	Temperature	Beverage	Temperature
Green Tea	80 °C (175 °F)	Cocoa	88 °C (190 °F)
White Tea	85 °C (185 °F)	Hot Cereal	91 °C (195 °F)
Oolong Tea	88 °C (190 °F)	Coffee	96 °C (205 °F)
Black Tea / Herbal Teas	98 °C (208 °F)	Tea Bags	98 °C (208 °F)

- **Manual Boiling (illustration D):**

- Press the Power icon (14) to start boiling automatically at the factory default temperature of 85 °C (185 °F).
 - If a different temperature has already been set, the factory default is no longer active and the last temperature setting will be used.
- The LCD display (15) will flash the programmed temperature three times and then display the current temperature inside the kettle.
- When the set temperature is reached, two audible beeps are emitted. Kettle will turn off automatically after 1 hour of inactivity.

- **Selecting a Preset Temperature:**
 - Repeatedly press the Temperature Setting icon (9) until the desired preset temperature is displayed.
 - The factory preset temperatures are:

• 40 °C (104 °F)	• 85 °C (185 °F)
• 50 °C (122 °F)	• 88 °C (190 °F)
• 60 °C (140 °F)	• 96 °C (205 °F)
• 70 °C (158 °F)	• 98 °C (208 °F)
• 80 °C (175 °F)	
 - The factory default temperature is 85°C (185 °F)
 - Press Power icon (14) to begin the heating cycle.
 - When the set temperature is reached, two audible beeps are emitted. Kettle will turn off automatically after 1 hour of inactivity.
- **Manually Setting the Desired Temperature:**
 - Press the Temperature Setting icon (9); the last set temperature will flash on the display (illustration D).
 - Press the [+] icon (11) or [-] icon (10) to select the desired temperature.
 - Once the display (15) stops flashing, the temperature is set and the LCD (15) displays the current water temperature.
 - Press the Power icon (14) to begin the heating cycle.
 - When the set temperature is reached, two audible beeps are emitted.

Notes:

- To manually interrupt the heating process, press the Power icon (14) or remove the kettle from the base at any time.
- Once the temperature has been set, it is stored in memory and will be recalled the next time the kettle is turned on. The factory default temperature of 85 °C (185 °F) will no longer be active after a different temperature is set.
- During the heating cycle, the LCD will display the current water temperature.
- Once the heating cycle is complete, the LCD will continue to show the water temperature for one hour if the kettle is not removed from the base.
- If the kettle is removed from the base during the heating cycle, the heating cycle will turn off, the Power icon (14) indicator light will turn off, and the LCD will display “00:00”.
- When the kettle is returned to the base, the display will show the current water temperature for 1 hour.
- To resume the heating cycle and/or Keep Warm function, the user must press the corresponding icons once the kettle is returned to the base.

5) Setting the Fast Boil Function (optional):

- The Fast Boil function heats the water to a boiling without the need for a temperature setting.
 - Press the Fast Boil icon (12) to activate the Fast Boil function.
 - The Fast Boil icon's backlight will flash and the water will be heated to a boil immediately.
 - Once water is boiling, the Fast Boil icon (12) will stop flashing but remain lit. Kettle will turn off automatically after 1 hour of inactivity.
- Press the Fast Boil icon (12) again to cancel the function.

6) Setting the Keep Warm Function (optional):

- Press the Keep Warm icon (16) at any time to activate or deactivate the function. The desired preset temperature will flash on the LCD five times.
- When the keep warm function is active, the green Keep Warm LED is illuminated.
- After the water reaches the preset temperature, 2 beeps will be heard and the set temperature will be maintained for one hour.
- Once the Keep Warm cycle is completed, one long beep will be heard.
- If the kettle is removed from the base, the kettle must be returned to the base and the Keep Warm icon (16) must be pressed again to reactivate the function.

7) Count-up Timer Feature:

- When the kettle is removed from the base, the LCD (15) will display 00:00.
 - Press the Timer icon (8) to start the count-up timer.
 - The first two digits indicate the minutes, and the last two digits indicate the seconds (see illustration above).
 - The maximum count-up time is 59'59".
 - Press Timer icon (8) again to stop the timer.
 - Press the Timer icon (8) one more time to return the timer to zero.
- Set the kettle back on the base to cancel the timer and the LCD display (15) will show the current water temperature.



8) Audible Beeping Sounds

The Brewista® Artisan Variable Temperature Kettle uses audible beeping sounds to give you feedback about what is occurring with your kettle.

- When the Power icon (14) is pressed, one beep will be heard.
- When the water reaches a preset temperature, two beeps will be heard.
- When Keep Warm function is completed, a long beeping sound will be heard.

- To turn off beeping sounds:
 - Remove kettle from the base and press both the [+] icon (11) and [-] icon (10) at the same time for one second.
 - Three beeping sounds will be emitted and the LCD (15) will read “b.OFF”.
- To turn on beeping sounds again:
 - Remove kettle from the base and press both the [+] button (11) and [-] button (10) at the same time.
 - Three beeping sounds will be emitted and the LCD (15) will read “b.ON”.

9) Maintenance and Cleaning:

- This appliance contains no user serviceable parts and requires little maintenance.
 - Refer any servicing or repairs to qualified personnel.
- Clean the kettle regularly.
 - Clean the outside of the base and the kettle with a damp, soft cloth (illustration F).
- Clean the inside of kettle with dish detergent and rinse thoroughly with water.
 - Do not use abrasive cleaners.
 - After cleaning, dry the kettle and the base thoroughly.

WARNING: Never immerse the kettle or the base in water or other liquid (illustrations H and I).

WARNING: Always unplug kettle and wait for kettle to cool before cleaning.

10) Storage:

- Clean and dry all parts before storing.
- Store the kettle in its box or in a clean, dry place.
- Never wrap the power cord around the kettle.

11) Decalcifying:

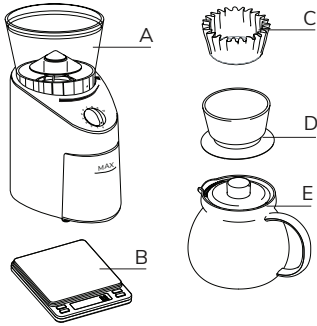
- When mineral scale builds up in the kettle, it can affect temperature consistency and slow down heating time.
- To ensure optimum performance, Brewista recommends descaling the kettle when mineral build-up is visible inside the kettle.

Note: Vinegar may not effectively descale the kettle and can be difficult to thoroughly rinse. Vinegar may also leave behind an odor that could affect future use.

PREPARING COFFEE

Pour Over Manual Brew Coffee

Pour over brewing is the simplest coffee brewing approach. It allows the individual the most control of saturation of the coffee grounds and the most participation by the user. It requires more time than hitting the ON switch of a drip coffee maker but for many, its higher involvement is part of coffee's pleasure.



- A. Grinder
- B. Scale
- C. Paper filter, cloth or permanent filter
- D. Pour over filter basket
- E. Drinking cup or carafe
- F. Method for boiling water (Brewista kettle recommended)

Brewing Manual Pour Over Method

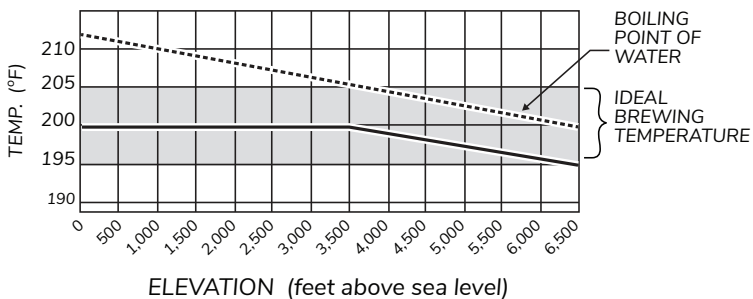
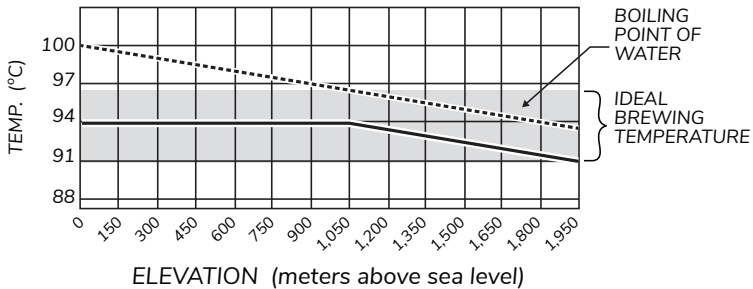
- Measure about 6 ounces of water for each cup you intend to brew. Place measured water in kettle and turn on kettle to bring water to desired temperature.
- Grind two tablespoons of beans per cup of coffee.
- Rinse the filter, dripper, and glass server (or whatever you are brewing into) in hot water to preheat them.
- Assemble the filter, dripper and vessel and dump the ground coffee into the filter.
- When the water reaches the programmed temperature, remove the kettle from the base. The desired coffee brewing temperature is 205° F/96° C, slightly lower than boiling temperature. (Refer to chart on page 14 for suggested brewing temperature based on your altitude.)
- Now pour the water into the filter. Stir the coffee just a bit to be sure it all gets saturated with water. A slow, steady pour allows for the best extraction from the grounds.

Tips:

- You may have to pour two or three times depending in the grind, filter size, and amount of coffee being made.
- Pre-wetting the coffee grounds a minute before start pour over helps extraction.
- A narrower spout allows better water flow control.
- Pour-over coffee is usually ground finer than drip coffee maker, but not as fine as espresso.

High Altitude Users

At higher elevations water boils at lower temperatures. Use the graph below to determine your kettle's boiling temperature.



WARNING: The appliance is very hot during use. Do not touch the surface of the kettle. Danger of burns!

WARNING: Never leave the kettle unattended while boiling water, especially if there are children nearby.

WARNING: Do not open the lid while boiling water.

WARNING: Do not immerse the base or the kettle in water or any other liquid. This may cause electric shock or damage the appliance.

WARNING: Be careful when handling hot water. Danger of scalding!

TECHNICAL DATA

For countries with voltage ranging from 110-127V

Rated voltage: 110-127V ~50-60Hz

Rated power input: 900-1200W

Capacity: Max. 57.5 oz (1.7L)

For countries with voltage ranging from 220-240V

Rated voltage: 220-240 V ~50-60Hz

Rated power input: 1500-1700W

Capacity: Max. 57.5 oz (1.7L)

LIMITED WARRANTY

1-Year Limited Warranty from the date of original purchase.

1. This warranty extends only to the original consumer, purchaser, or gift recipient. Keep the original sales receipt, as proof of purchase is required to make a warranty claim. The product must be purchased at an authorized retailer for the warranty to be valid.
2. Defects that occur due to improper connection, improper handling, poor water quality, or repair attempts by non-authorized persons are not covered by the warranty. The same applies for failure to comply with the use of consumables (e.g. cleaning and decalcifying agents) that do not correspond to the original specifications.
3. Routine wear parts (e.g. seals and valves, permanent filter) and fragile parts, like glass, are excluded from the warranty.
4. Damages which are not under responsibility of the manufacturer are not covered by the warranty. This is valid, especially for claims arising from improper use (e.g. operation with wrong type of current or voltage).
5. The guarantee becomes void if repairs are carried out by third parties, who are not authorized by the manufacturer to do so and/or if spare parts are used other those from the original equipment manufacturer.
6. Failure to comply with any important safeguards listed in section 1 will void the limited warranty.
7. Household-use only.

To make a warranty claim, do not return this appliance to the store. Please email hello@brewista.co



Correct Disposal of this Product

This symbol indicates that this product should not be disposed of with other household wastes throughout the European Union. To prevent possible harm to the environment or human health from uncontrolled waste disposal, recycle it responsibly to promote the sustainable reuse of material resources. To return your used device, please use the return and collection systems or contact the retailer where the product was purchased. They can collect this product for environmentally safe recycling.

brewista[®]

ARTISAN
Cupping Kettle

variable temperature kettle

1.7L BA17VK Series

510 W. Central Avenue,
Unit B, Brea, CA 92821,
U.S.A.

hello@brewista.co

