



Building Block Lateral File with Casters

Product Details

- Heavy-duty 18 gauge steel
- Accommodates side-to-side letter file storage and front-to-back legal file storage
- 75 lb weight limit per drawer evenly distributed
- Interlocking drawers for safety
- Full extension slides
- Lock with two heart-shaped keys
- Discreet 2" locking casters
- Integrated knock-outs supports wall, side-to-side, and back-to-back ganging
- Laminate surfaces available
- Ships assembled
- GREENGUARD Gold Certified
- Health Product Declaration (HPD) available
- Heartwork standard warranty
- Made (Well) in the USA

Color



Size (All dimensions in inches)

2H: 36W x 18D x 29³/₄H

3H: 36W x 18D x 42³/₄H

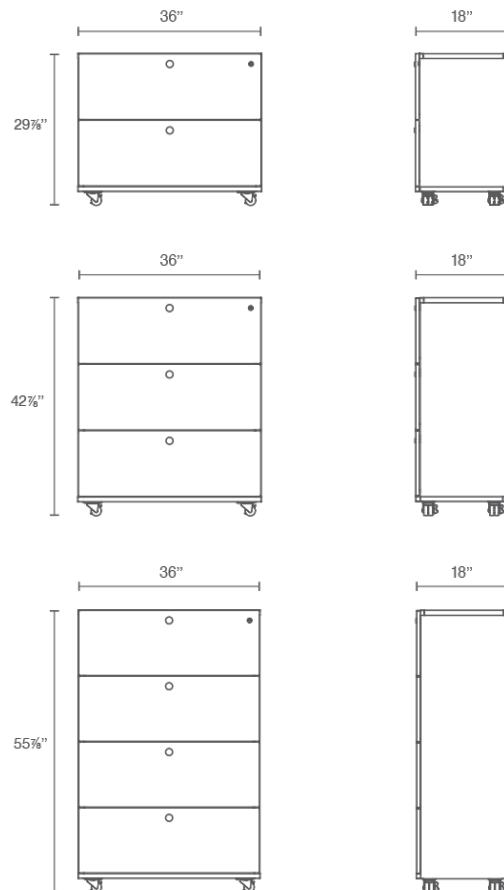
4H: 36W x 18D x 55³/₄H

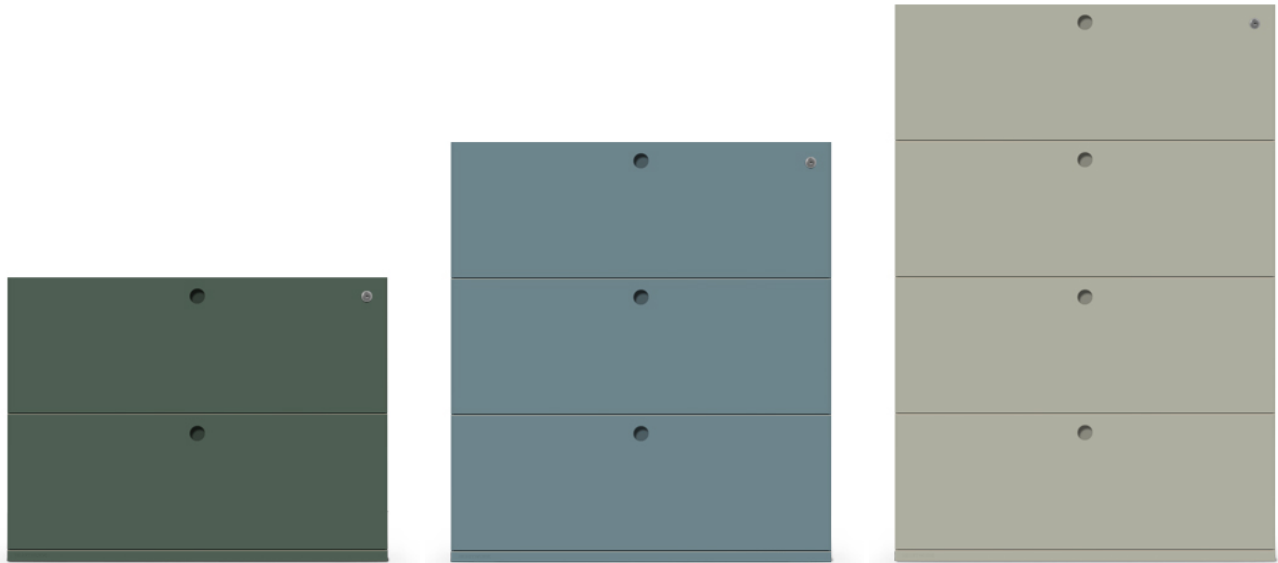
SKU

BBLAT2H.PX.CST

BBLAT3H.PX.CST

BBLAT4H.PX.CST





Building Block Lateral File with Levelers

Product Details

- Heavy-duty 18 gauge steel
- Accommodates side-to-side letter file storage and front-to-back legal file storage
- 75 lb weight limit per drawer evenly distributed
- Interlocking drawers for safety
- Full extension slides
- Lock with two heart-shaped keys
- Discreet levelers
- Integrated knock-outs supports wall, side-to-side, and back-to-back ganging
- Laminate surfaces available
- Ships assembled
- GREENGUARD Gold Certified
- Health Product Declaration (HPD) available
- Heartwork standard warranty
- Made (Well) in the USA

Color



Size (All dimensions in inches)

2H: 36W x 18D x 27½H

3H: 36W x 18D x 40½H

4H: 36W x 18D x 53½H

SKU

BBLAT2H.PX.LVL

BBLAT3H.PX.LVL

BBLAT4H.PX.LVL

