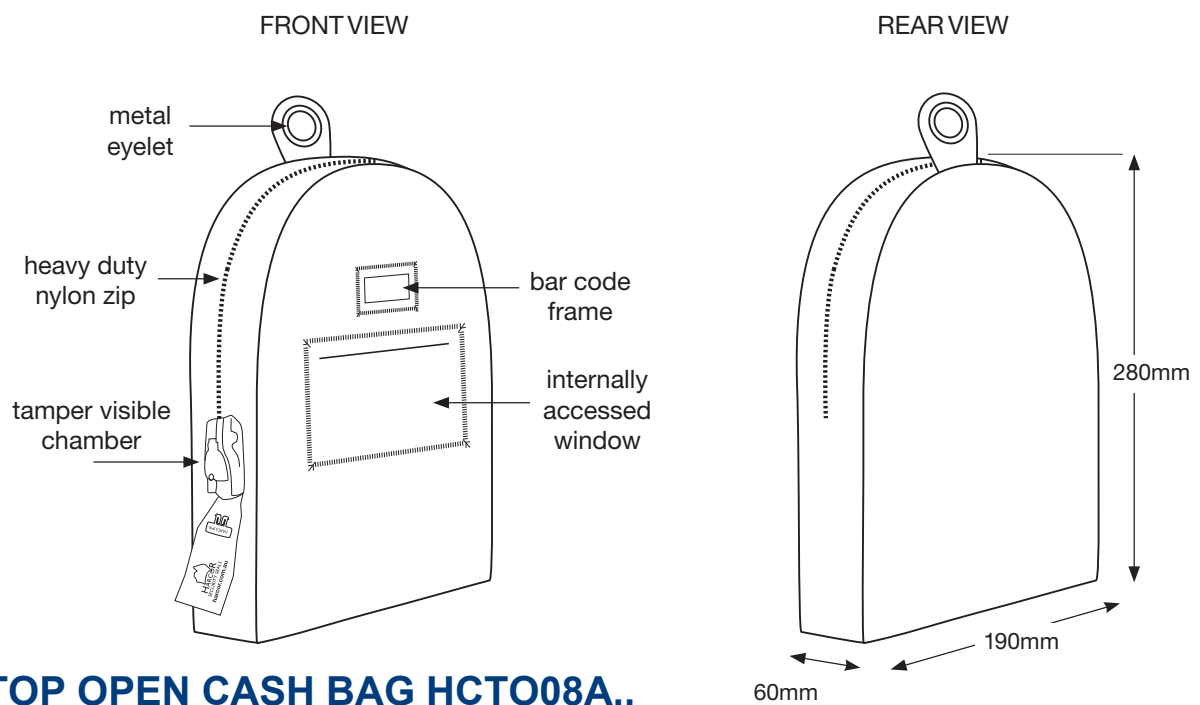


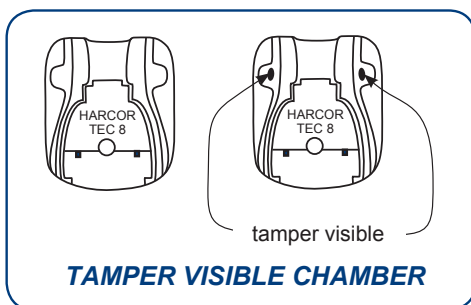
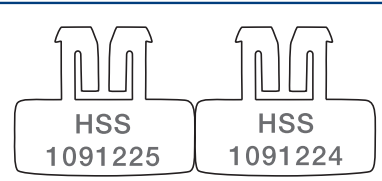
Top Open Cash Bag



TOP OPEN CASH BAG HCTO08A..

- Ideal for cash floats and company banking
- Internally accessed window
- Large expandable bag for easy clearance
- External dimensions 190 x 280 x 60mm

COLOURS: 02 ● 08 ● 12 ● 15 ○

HARCLIP™ SEAL (NUMBERED) HA056..

- Seals can be customised with logo and/or barcoded (min run 10,000)
- Australian designed
- Plain - orange only (HA05010)
- Minimum: 1,000

COLOURS: 02 ● 08 ● 12 ● 13 ● 14 ○

NSW +61 (0) 2 9454 4200 VIC +61 (0) 3 8581 9100 QLD +61 (0) 7 3209 8225 WA +61 (0) 8 9443 9010 harcor.com.au