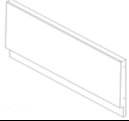







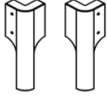




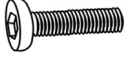
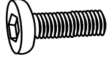



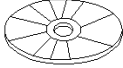


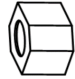
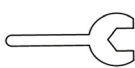

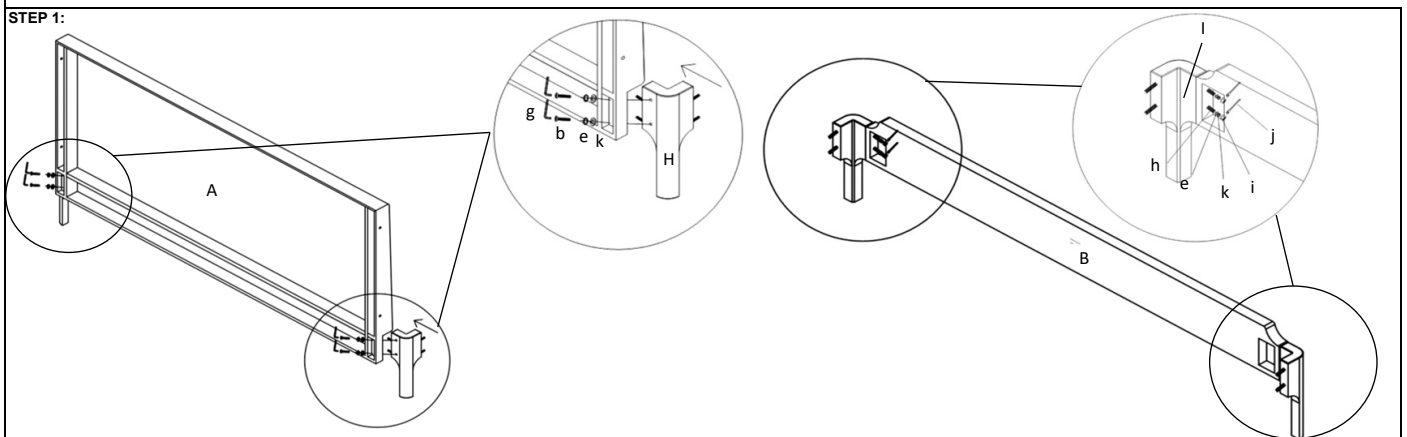


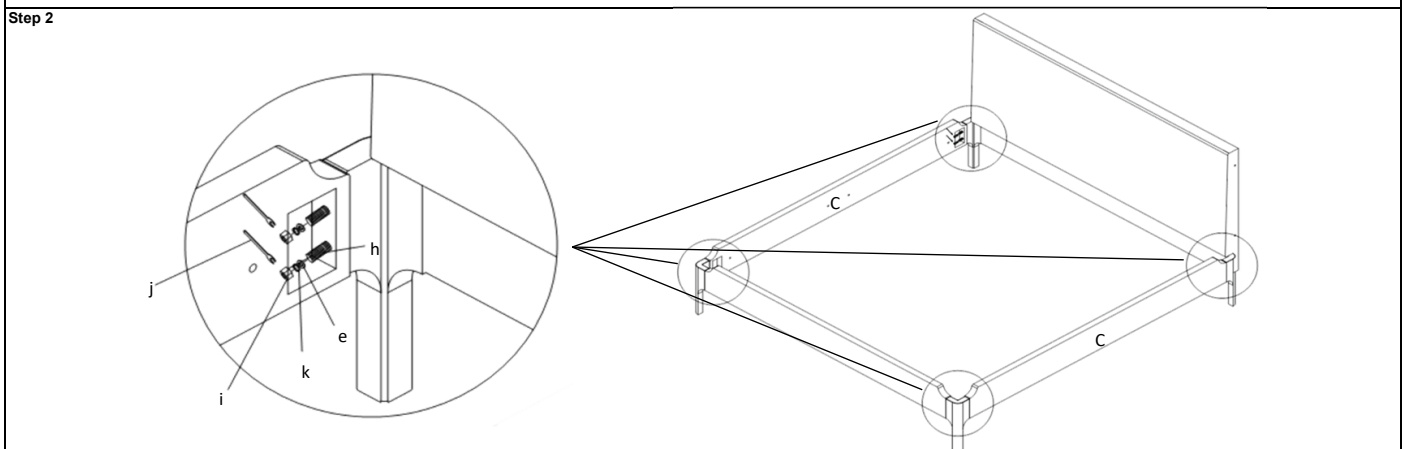
SONU Bed Frame Assembly Instruction

					
Headboard (A) 1pc	Footboard (B) 1pc	Side rail (C) 2pcs	Wing (D) 2pcs	Slat wood cleat (E) 4pcs	Middle support male (F) 1pc
					
Middle support female (G) 1pc	Slats (G) 26pc	Headboard leg(H) 1pair	Footboard leg (I) 2 pcs	Middle leg (J) 3pcs	Unilateral card slot (K) 26 pcs
	 size: M8*60mm	 size: M8*40mm	 size: M8*30mm	 size: M8*16*2mm	 M8
Unilateral card slot (J) 13 pcs	Allen head bolt (a) 8pcs	Allen head bolt (b) 8pcs	Allen head bolt (c) 3pcs	Flat washer (d) 3pcs	Allen head bolt (e) 35pcs
 size: 35*1mm	 Ø:5mm	 size: M8*90mm	 size: M8*13mm		 size: M8*22*2mm
Plastic washer (f) 3pcs	Allen Key (g) 1pc	Threaded bolt (h) 16pcs	Nut (i) 16pcs	Wrench (j)	Flat washer (k) 32pcs

Installation Steps

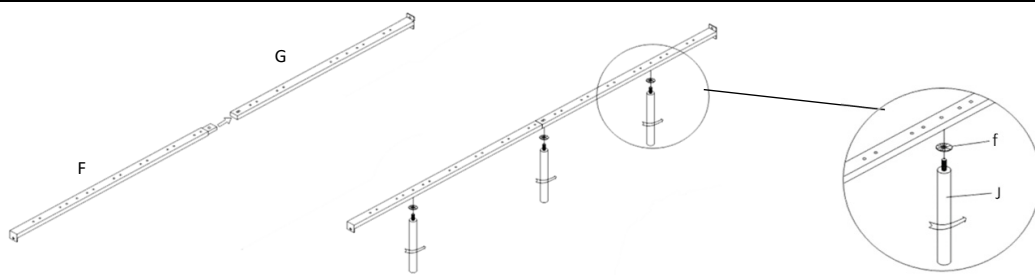


Headboard legs and footboard legs instruction



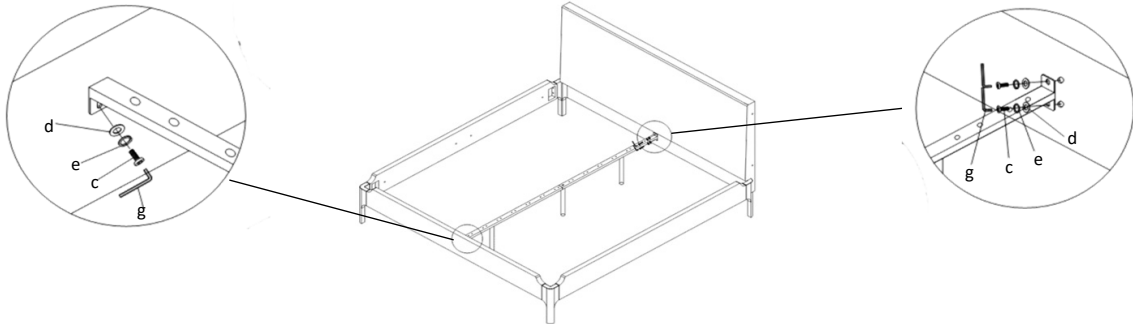
Tighten all 8 screws on HB & FB

Step 3



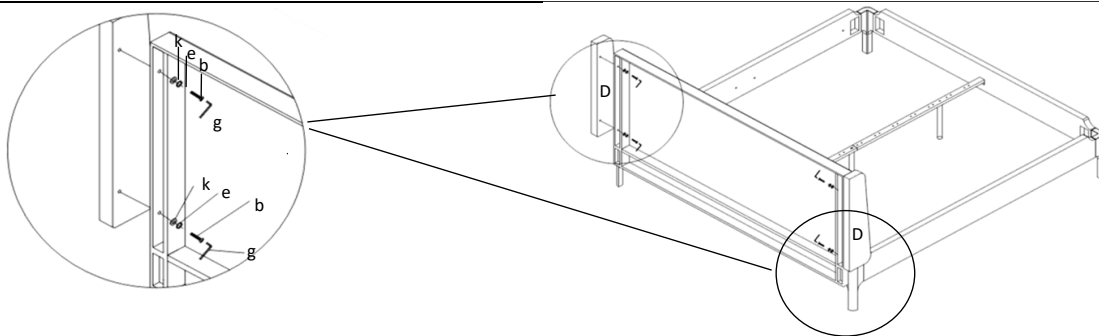
Middle slat support installation

Step 4



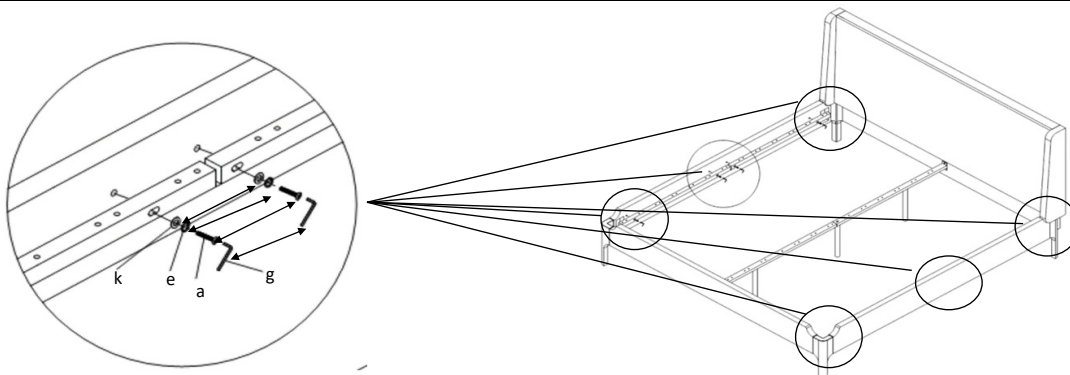
Middle support installation

Step 5



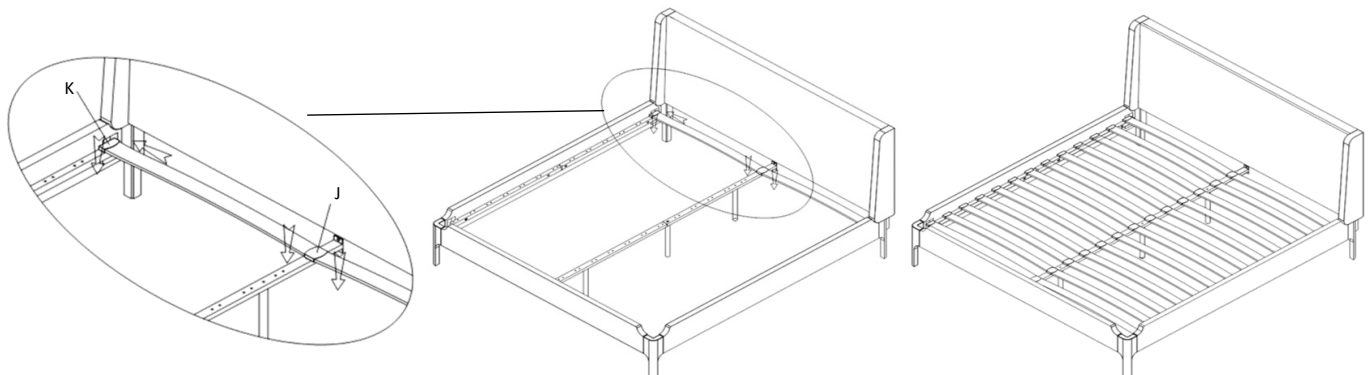
Wing installation

Step 6



Slat wood cleat installation

Step 7



Slats installation