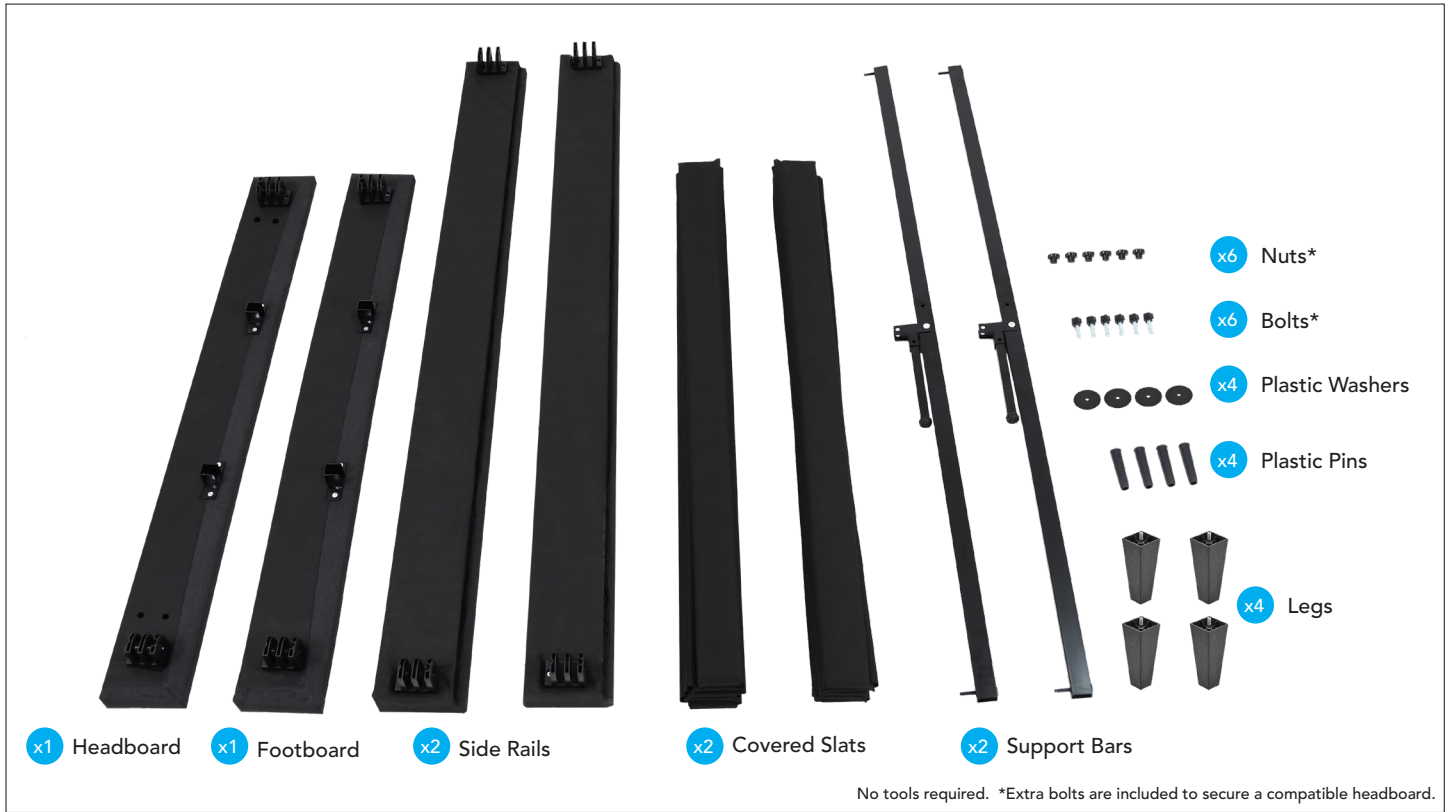


EXPRESS FOUNDATION ASSEMBLY GUIDE

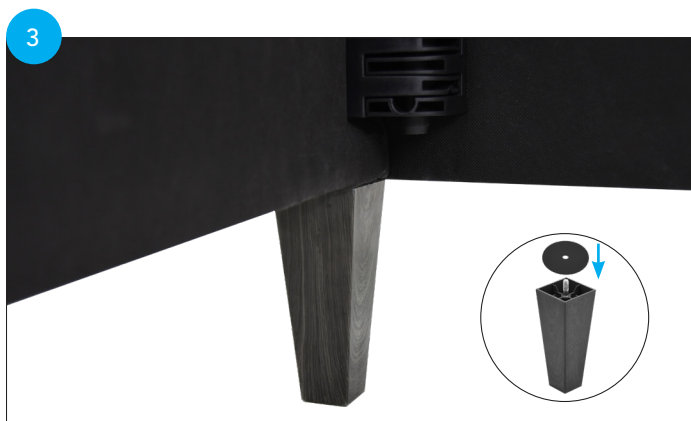
Please read all instructions and safety information carefully before use and assembly.



Align the plastic connectors at each corner.



Insert the plastic pins at each corner.



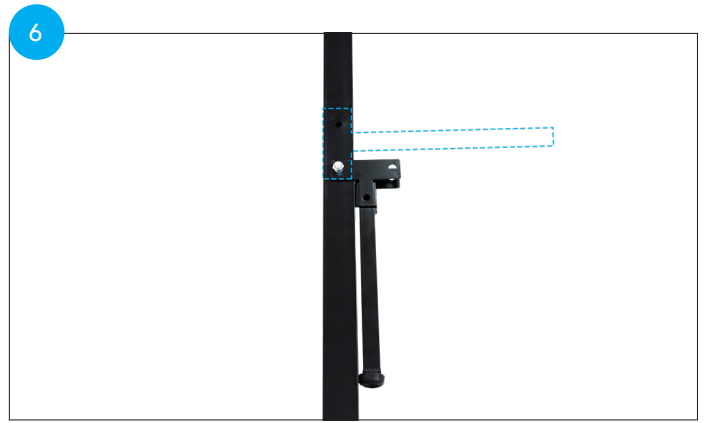
Place the plastic washers between the legs and frame. Screw in the legs.



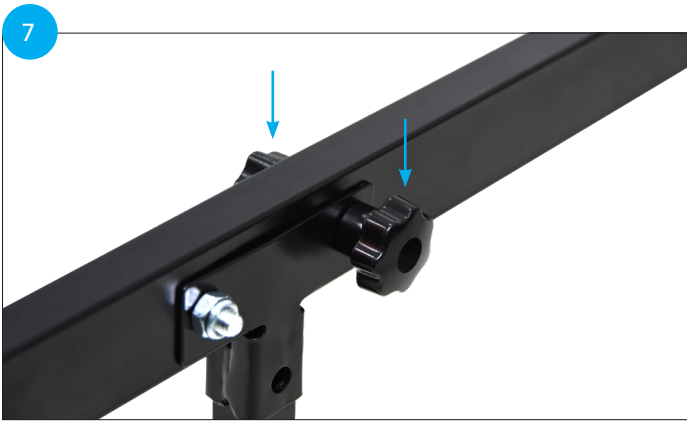
Guide the bolt on each support bar through the headboard and footboard brackets.



5. Secure each bolt on the support bar with a plastic nut.



6. Rotate the middle legs out and align the holes.



7. Secure each leg with a plastic nut and bolt.



8. Adjust the pad of each leg to the ground for proper support.



9. Place the covered slats on the frame; secure the slats with the hook and loop fastening strips.



10. Add a mattress and enjoy!