

# R.T.A - Mattress Foundation

## Assembly Instructions

### Foundation Size

- Twin
- Twin XL
- Full
- Full XL
- Queen
- King
- Cal. King

### Material & Hardware Included

**A** end rails x 2

**B** side rails x 2

**C** **Center Support Rail**

Twin & Twin XL x 0

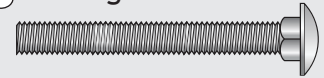
Full & Queen x 1

King & Cal. King x 2

**D** slats x 13

**E** foundation cover x 1

**F** carriage bolts x 12



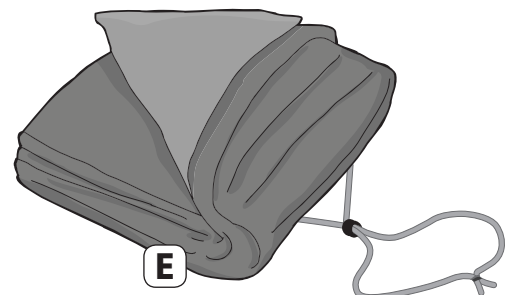
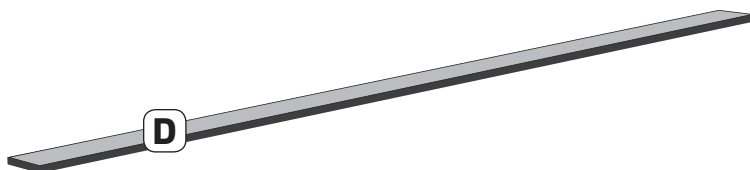
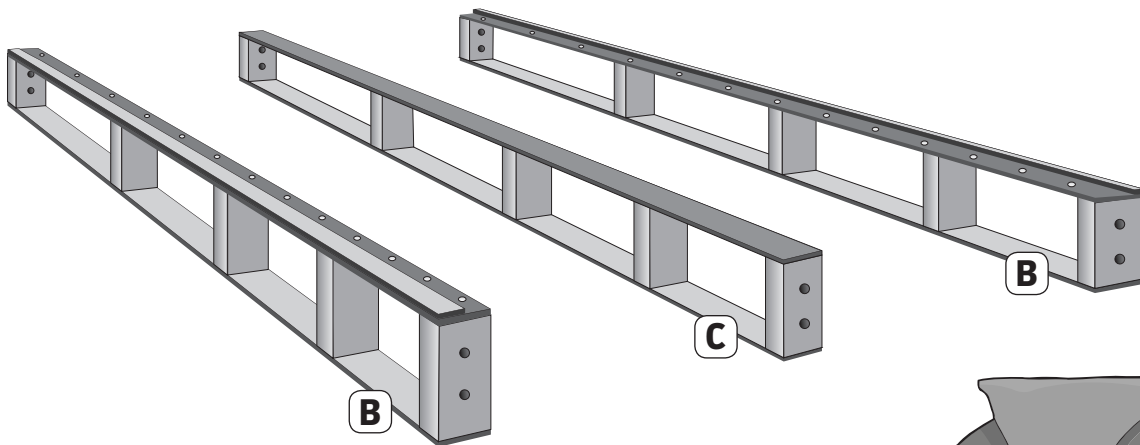
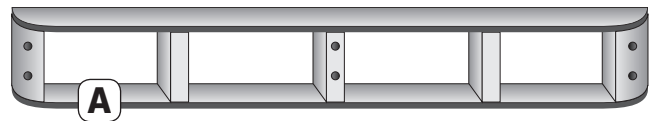
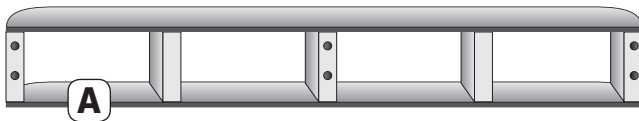
**G** washers x 12



**H** wing nuts x 12

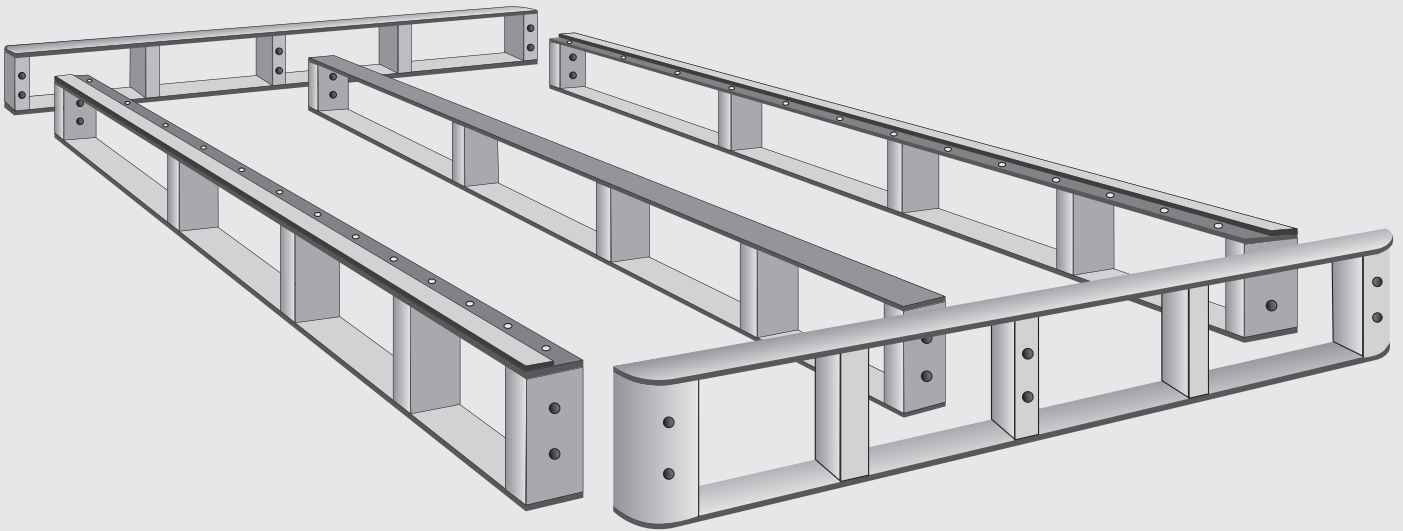


**I** plastic rivets x 26



## Step 1

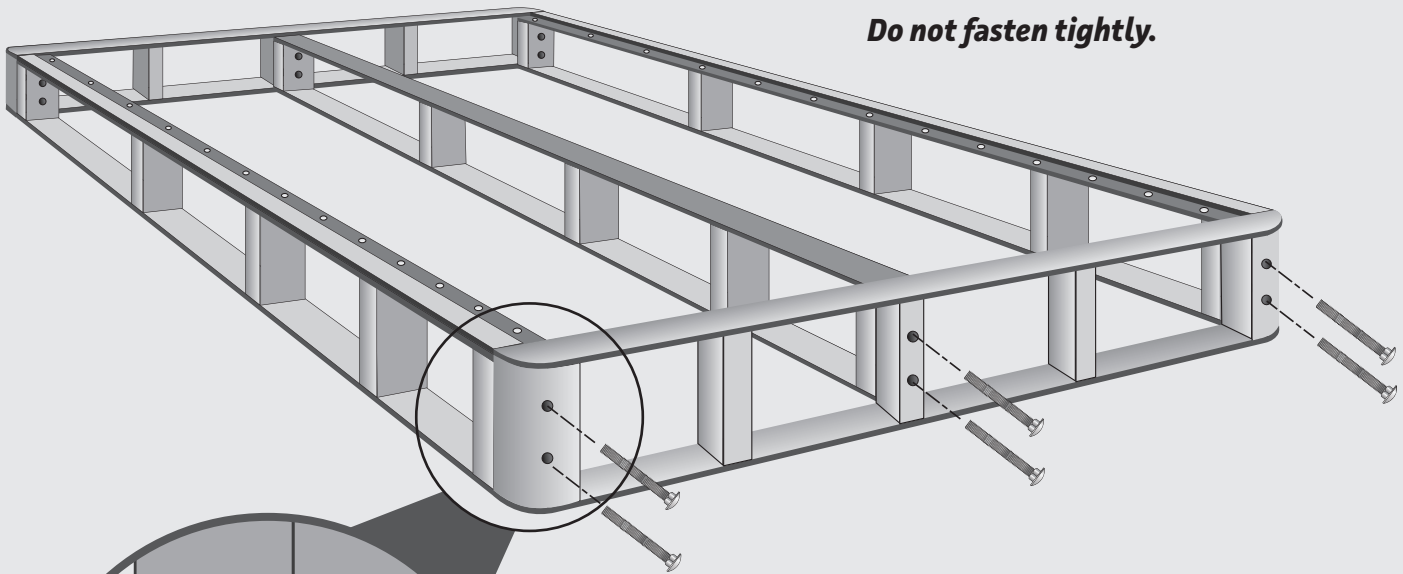
Place side and center rails on floor parallel to each other.



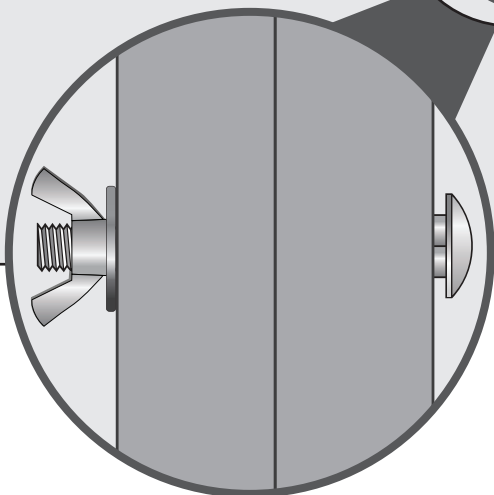
## Step 2

Fasten one end rail to sides and center (no center rail if kit is a *Twin* or *Twin XL*) using bolts, washers and wing nuts.

***Do not fasten tightly.***

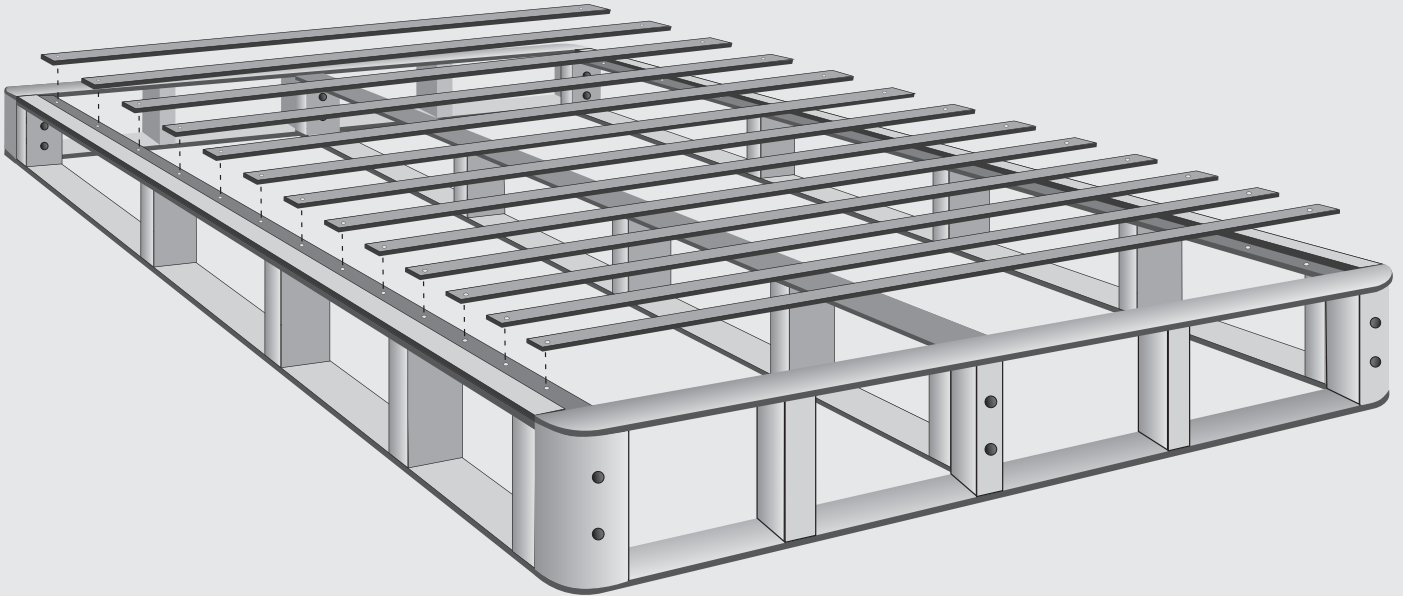


Repeat step 2 at other end of foundation. When completely assembled hand tighten all wing nuts.



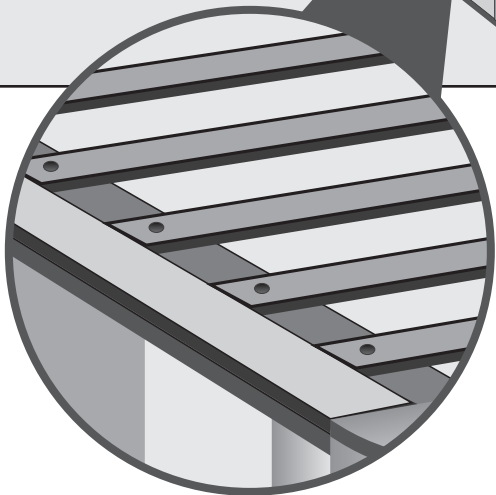
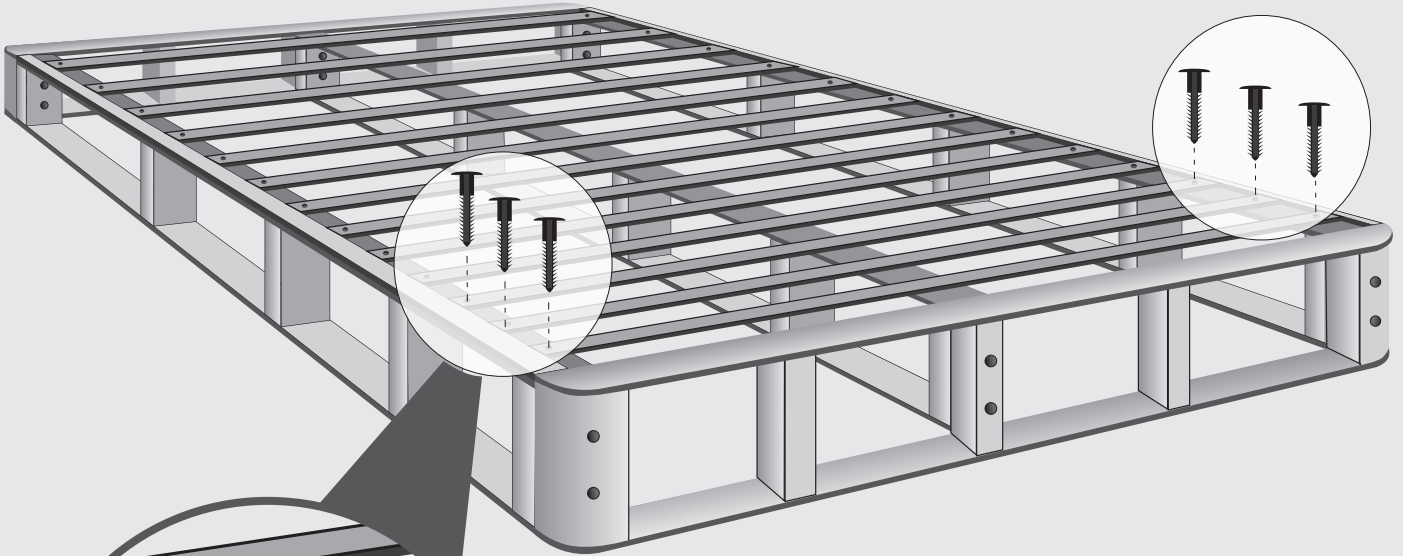
**Step 3**

Place the slats on the sides of the foundation at each predrilled hole.



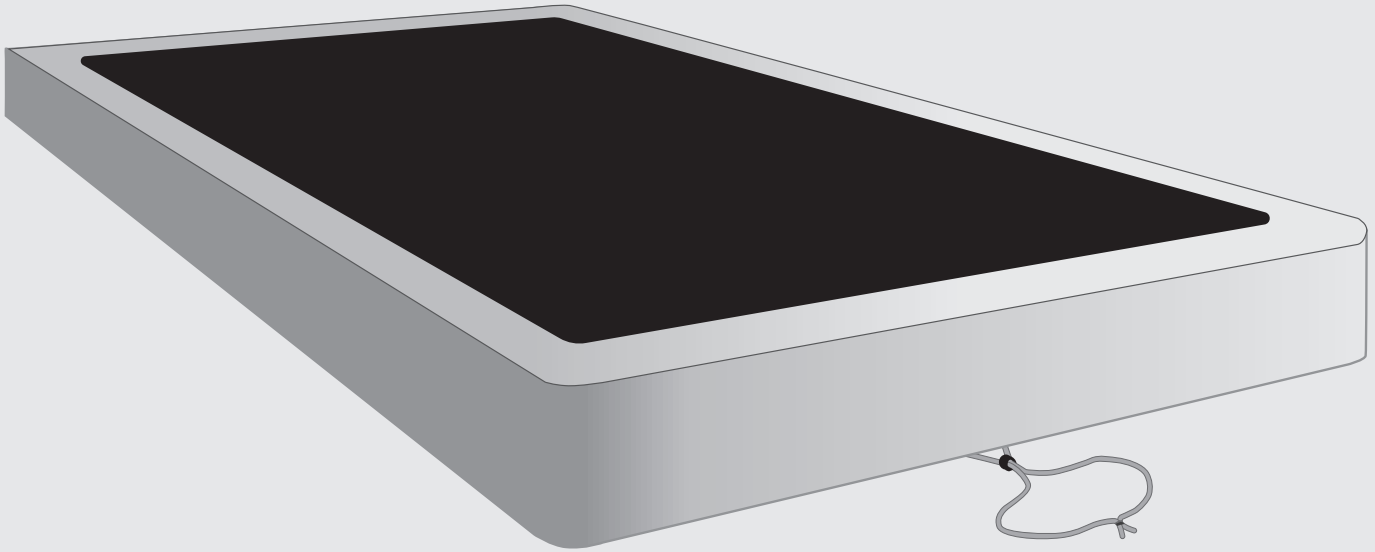
**Step 4**

Insert plastic rivets in slats as shown



### Step 5

Unfold the cover and place on the foundation. Get each corner started a little then pull down snugly on all sides.



### Step 6

Pull the drawstring to tighten the cover and slide the locking ball in place.

