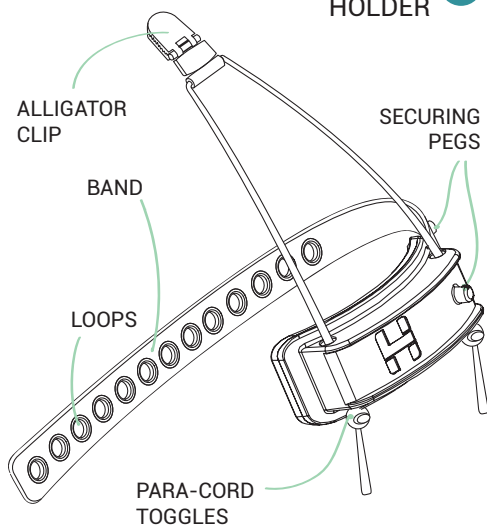




CLIP-ON DRINK HOLDER INSTRUCTION MANUAL

DRINK
HOLDER **A**



 LifeHandle



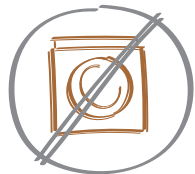
WARNINGS

The product is designed to hold insulated beverage containers that operate as the manufacturer of that container intended of approximately 24 oz or less depending on size and design.

This product is not made for beverage container materials that will eventually fail. These materials include, but are not limited to, paper and certain plastics/Styrofoam. The user of this product is urged to use caution if securing a glass beverage holder as beverage containers (bottles) made of glass may break. Caution is urged when beverages are extremely hot and/or when beverages are carbonated. Users are urged to use caution when using this product to secure a beverage container that is open, not sealed, or not sealable. User movements may lead to spillage whether the beverage container is sealed or not. The user is urged to carefully secure the beverage container and closely monitor the beverage container and the band while in use. The user of this product uses it at their own risk. Users should use this product as it was intended and exercise reasonable judgment. LifeHandle does not extend or offer any warranty or guarantee to the beverage container product used with this product. User voids any warranty/replacement if this product is not used in the manner outlined in the instructions.



MAINTENANCE AND CLEANING



Wipe clean with a damp cloth.

Spot clean with mild soap if needed.

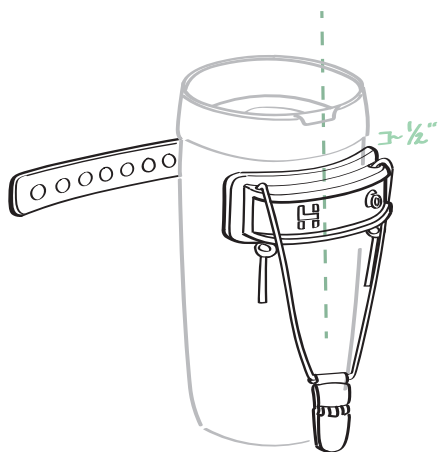
Let air dry.

Not machine washable.

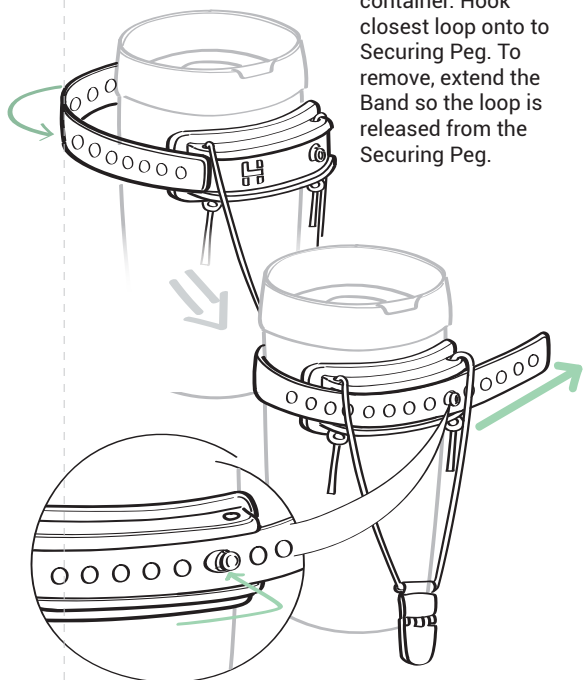
Not dishwasher-safe.

ATTACHING CONTAINER:

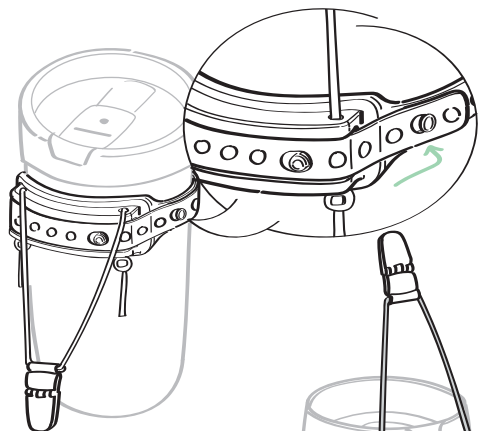
- 1 Before filling up your beverage container, firmly secure the Drink Holder approximately a half inch from the lid of the container. Align rigid plastic part of the Drink Holder with the mouth/opening of your beverage container.



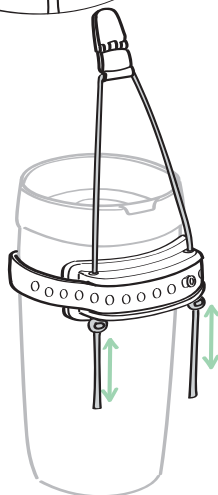
- 2 Pull the Band tightly around beverage container. Hook closest loop onto to Securing Peg. To remove, extend the Band so the loop is released from the Securing Peg.



- 3 Use the Securing Peg on the band to retain any excess length.



- 4 Use the para-cord toggles to adjust to your preferred length. Attach Clip to secure part of your outer garment or LifeHandle Sling, and ensure the material can support the beverage weight.



Assembled view

DRINK HOLDER

