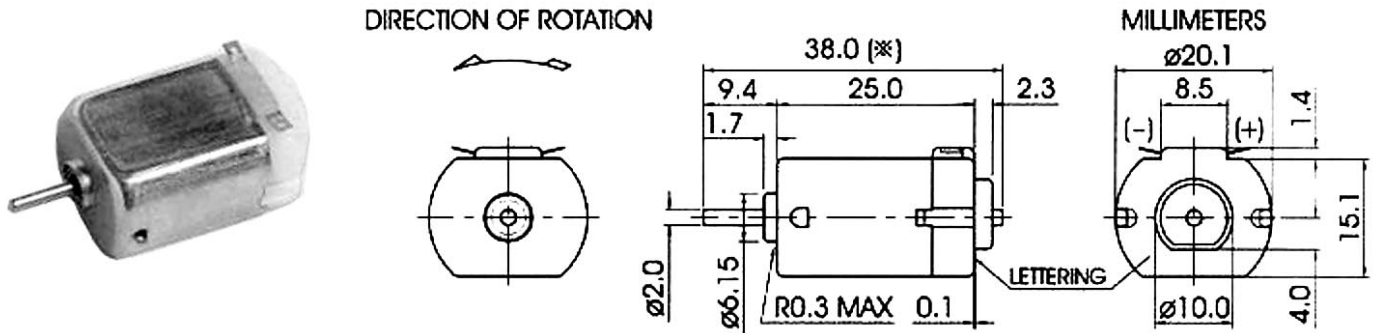


# Motor DC - 6V

Part No. 29DCM1 (Mfg. Model # 101-J)



MFG. MODEL NO.	VOLTAGE		NO LOAD		AT MAXIMUM EFFICIENCY					STALL TORQUE
	OPERATING RANGE	NOMINAL	SPEED	CURRENT	SPEED	CURRENT	TORQUE	OUTPUT	EFF	
			rpm	A	rpm	A	g.cm	W	%	
101-J	1.5~6.0	3.0V CONSTANT	6700	0.12	4450	0.27	8.1	0.37	44.5	18

WEIGHT: 17g (APPROX)