

# Illuminated Tact Switches

Part No. 17SPL12WR



## SPECIFICATIONS

CIRCUIT: SPST

CONTACT RATING: 50mA @ 12 VDC

LED RATING: 30mA @ 5V

CONTACT RESISTANCE: 100mΩ Max (initial)

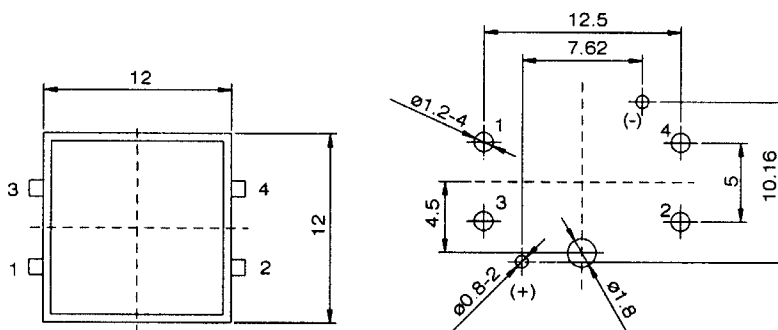
INSULATION RESISTANCE: 100MΩ min

OPERATING FORCE: 250gf ± 50gf

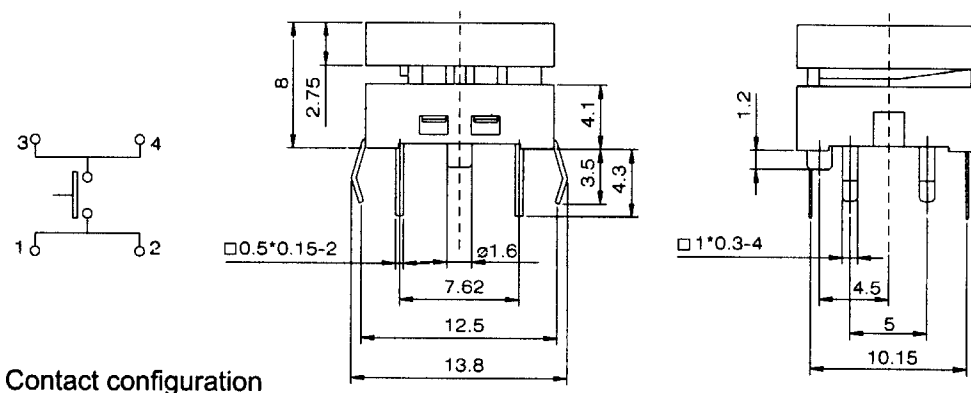
TOTAL TRAVEL: 0.3mm ± 0.1mm

OPERATING LIFE: 100,000 cycles min.

OPERATING TEMPERATURE: +10°C~+60°C



P.C.Mounting



Contact configuration