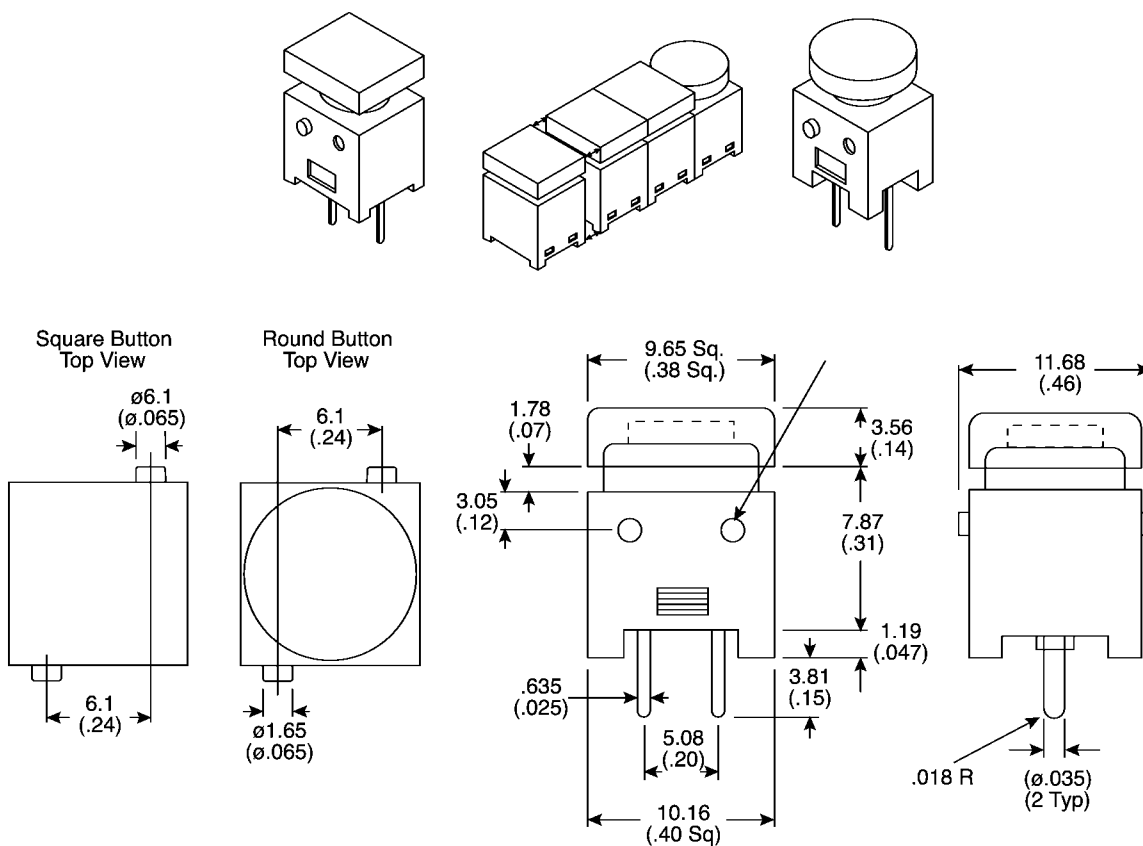


MOMENTARY SWITCH

Part No. 17MOMDS660

Dimensions: mm (In.)



Electrical Specifications:

- Rating: 1A/125VAC
- Insulation resistance: 100MΩ (min.) @ 500VDC
- Dielectric strength: 1000VAC for 1 minute
- Contact resistance: 20mΩ (max.)
- Reliability: 30,000 operations electrical

Square

Button Color	Circuit
Tactile Touch Type	
White	Off-(On)

Mechanical Specifications:

- Reliability: 50,000 operations mechanical
- Operating & storage temperature: -10°C to +55°C