

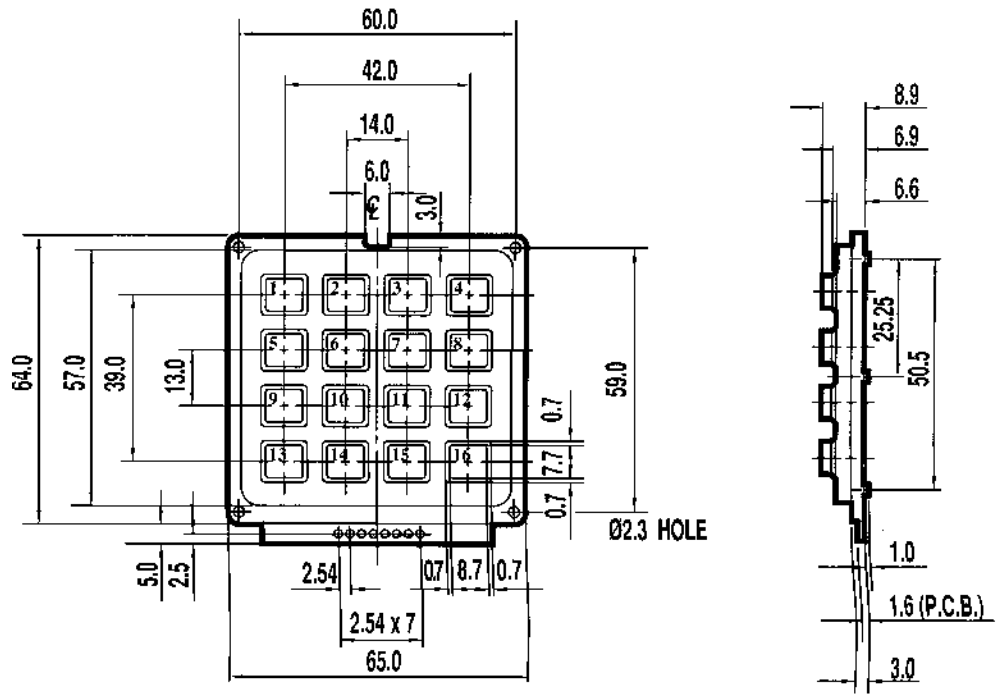
Keypad – 16 Button

4 x 4 Matrix

Part No. 17KP1604

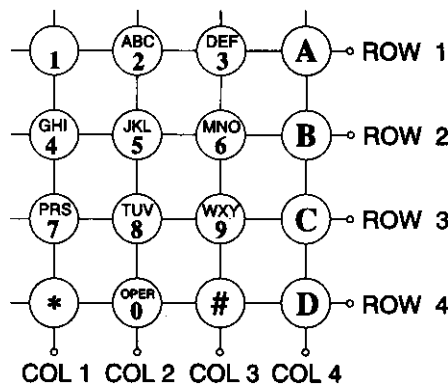
GENERAL SPECIFICATION

- **Contact Rating:**
20mA, 24VDC
- **Contact Resistance:**
200 ohm max
- **Life:**
1,000,000 cycles per key
- **Operating Temperature:**
-20°C to +60°C
- **Storage Temperature:**
-40°C to +65°C



ACTUATING FORCE: 100 ± 30 GRAMS.
STROKE: 1.5 ± 0.5mm.

CIRCUIT DIAGRAM



OUTPUT ARRANGEMENT

Output Pin No	Symbol
1	COL 1
2	COL 2
3	COL 3
4	COL 4
5	ROW 1
6	ROW 2
7	ROW 3
8	ROW 4

