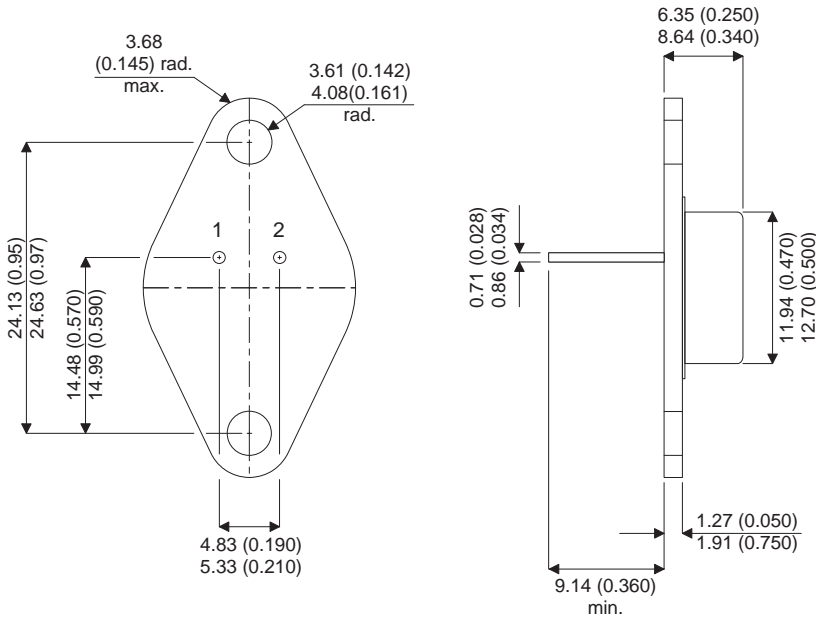


Dimensions in mm (inches).



**TO66 (TO213AA)
PINOUTS**

1 – Base 2 – Emitter Case – Collector

**Bipolar NPN Device in a
Hermetically sealed TO66
Metal Package.**

Bipolar NPN Device.

$V_{CEO} = 325V$

$I_C = 5A$

All Semelab hermetically sealed products can be processed in accordance with the requirements of BS, CECC and JAN, JANTX, JANTXV and JANS specifications

| Parameter | Test Conditions | Min. | Typ. | Max. | Units |
|---------------|--------------------------|------|------|------|-------|
| V_{CEO}^* | | | | 325 | V |
| $I_{C(CONT)}$ | | | | 5 | A |
| h_{FE} | @ 5/1 (V_{CE} / I_C) | 25 | | 125 | - |
| f_t | | | 20M | | Hz |
| P_D | | | | 50 | W |

* Maximum Working Voltage