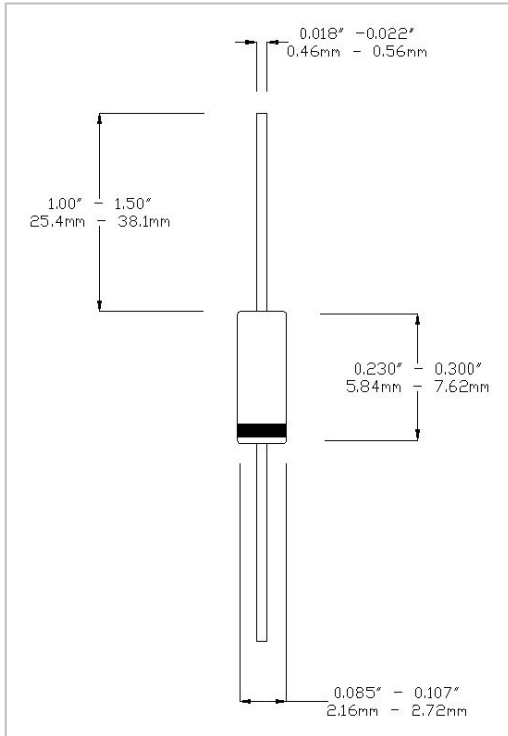


# 1N457

## FEATURES

- 1N457 AVAILABLE AS 1N457A, & AS JAN1N457 PER MIL-PRF-19500/193
- SWITCHING DIODE
- METALLURGICALLY BONDED
- HERMETICALLY SEALED
- DOUBLE PLUG CONSTRUCTION



## MAXIMUM RATINGS AT 25 °C

|                               |                                       |
|-------------------------------|---------------------------------------|
| Operating Temperature:        | -65°C to +175°C                       |
| Storage Temperature:          | -65°C to +175°C                       |
| Surge Current A, sine, 8.3mS: | 225mA                                 |
| Total Power Dissipation:      | 500mW                                 |
| Operating Current:            | 75mA, T <sub>A</sub> = +25°C          |
| Derating Factor:              | 0.6mA/°C above T <sub>A</sub> = +25°C |
| D.C. Reverse Voltage (VRWM):  | 60V                                   |

## DESIGN DATA

**Case:** Hermetically sealed glass package per MIL-PRF-19500/193 DO-7 outline

**Lead Material:** Copper clad steel

**Lead Finish:** Tin/Lead

**Thermal Impedance (Z<sub>θJX</sub>):** 70°C/W maximum

**Marking:** Blue body coat. Black digits.

**Polarity:** Cathode end is banded.

## DC ELECTRICAL CHARACTERISTICS

| Ambient (°C) | V <sub>F</sub>    |       |       | I <sub>R</sub> |        |        |        |
|--------------|-------------------|-------|-------|----------------|--------|--------|--------|
|              | I <sub>F</sub> mA | Min V | Max V | Ambient (°C)   | V (dc) | Min μA | Max μA |
| 25           | 20                | -     | 1     | 25             | 60     | -      | 0.025  |
|              |                   |       |       | 25             | 70(ac) | -      | 100.0  |
|              |                   |       |       | 150            | 60     | -      | 5.0    |