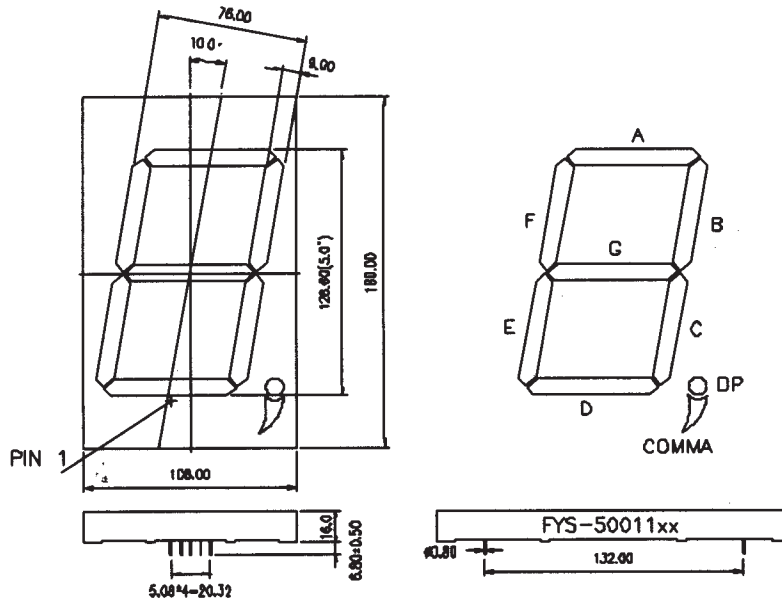
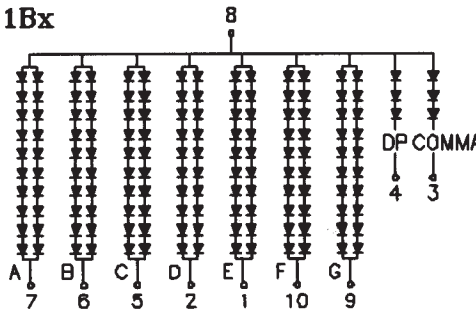


■ Package configuration & Internal circuit diagram:

FYS-50011 Series



FYS-50011Bxx



Notes:

- All dimensions are in millimeters (inches)
- Tolerance is  $\pm 0.25(0.01)$  unless otherwise noted.
- Specifications are subject to change without notice.

Electrical-optical characteristics: (Ta=25°C)

Parameter	Symbol	GaP(Red)	AlGaAs	GaAsP	GaP(Green)	Unit
Power Dissipation	$P_{ad}$	40	60	80	80	mW
Peak Forward Current *	$I_{pf}$	50	150	150	150	mA
Continuous Forward Current	$I_{af}$	15	25	30	30	mA

Notes:

\* Test Condition = Duty 0.1, 10KHZ

■ Absolute maximum ratings (Ta=25°C)

Reverse Voltage	5V
Reverse Current	20 $\mu$ A
Operating Temperature* Range	-40°C to +85°C
Storage Temperature Range	-40°C to +85°C
Lead Solder Temperature (1.6mm(1/16") from body)	230°C for 5 Seconds