

# LEDs – PC Mount

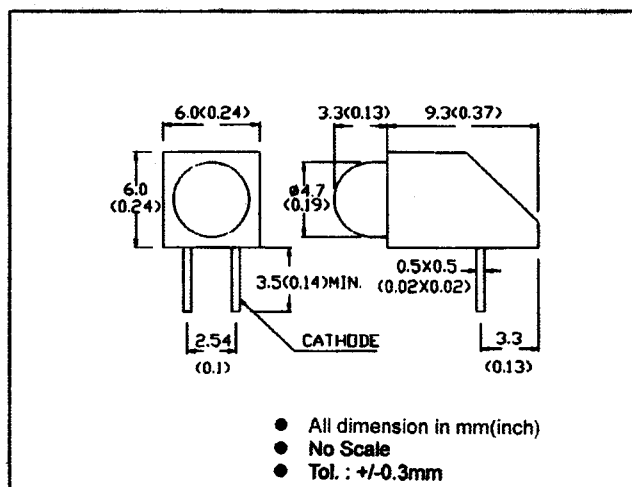
Part Nos. 08L72CB1IDA, 08L72CB1GDA, 08L72CB1YDA

## RIGHT ANGLE LED LAMPS

Package allows flush seating on a PCB boards

## DESCRIPTION

L72CB/1XXA series are right angle LED lamp that incorporates one tinted standard diffused Ø4.7mm high efficiency LED lamp in a black plastic housing.



## OPTIONS

PART NO. L72CB/	LED LENS COLOR		SOURCE COLOR
	Color	Diffusion	
1STA	Red	Transparent	GaAlAs Red
1YTA	Yellow	Diffused	Yellow
1YDA	Yellow	Diffused	Yellow
1GDA	Green	Diffused	Green
1IDA	Orange	Diffused	High Eff. Red

## ABSOLUTE MAXIMUM RATINGS

	1STA	1YTA	1YDA	1GDA	1IDA	
Power Dissipation @ Ta=25°C	95	60	60	100	100	mW
Forward Current, DC (IF)	40	20	20	30	30	mA
Reverse Voltage	5	5	5	5	5	V
Operating & Storage Temperature Range					-25 to +85	°C
Lead Soldering Temperature (1/16" from body, 5 seconds)					260	°C

## ELECTRO-OPTICAL CHARACTERISTICS

(Ta=25°C)

PARAMETER	SYMBOL	1STA	1YTA	1YDA	1GDA	1IDA	UNIT	CONDITIONS
Forward Voltage	MAX V <sub>F</sub>	2.4	3.0	3.0	3.0	3.0	V	I <sub>F</sub> =20mA
Reverse Breakdown Voltage	MIN BV <sub>R</sub>	5	5	5	5	5	V	I <sub>R</sub> =100μA
Luminous Intensity	MIN I <sub>V</sub>	40	25	4.0	7.0	6.0	mcd	I <sub>F</sub> =20mA
	TYP	55	40	6.0	10	8.0	mcd	I <sub>F</sub> =20mA
Peak Wavelength	TYP λ <sub>p</sub>	660	585	585	570	630	nm	I <sub>F</sub> =20mA
Spectral Line Half Width	TYP Δλ	20	35	35	30	35	nm	I <sub>F</sub> =20mA