

## 7 Segment Display C.C. Green Char. Ht. 0.5 In.

Part Number - 08FNDGRCC

### Specifications :-

- 7 Segment LED Displays C.A.
- Green Char.Ht. 0.5"

### **Features:**

- \*High segment intensity
- \*Wide viewing angle
- \*Range of colors
- \*Gray face White segment
- \*RoHS compliant

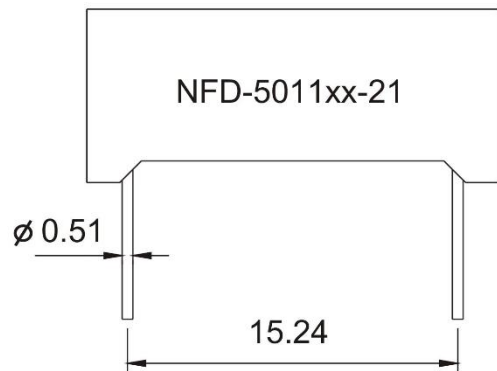
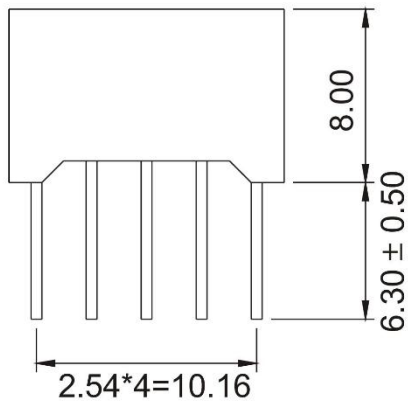
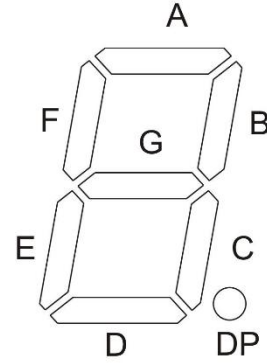
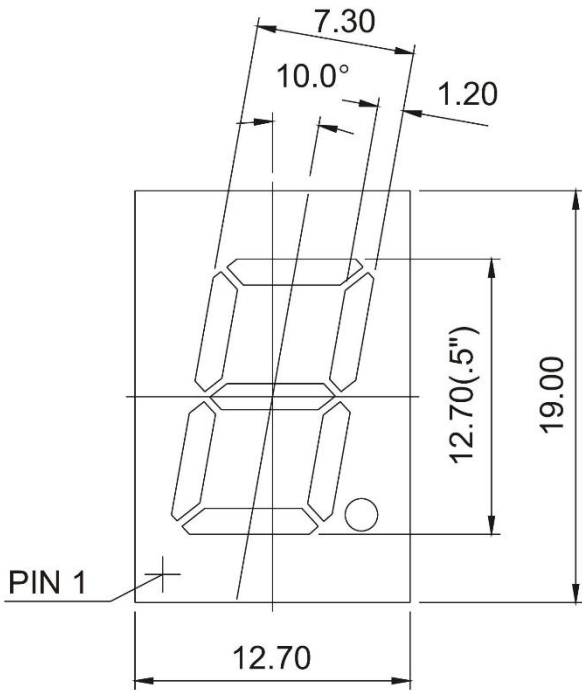
### **Available option:**

- \* Alternative face and segment color
- \* Alternative font
- \* Cropped terminal pins
- \* Available emitting color
- \* Low current version

### **Maximum Ratings Ta=25°C (Derate above 25°C)**

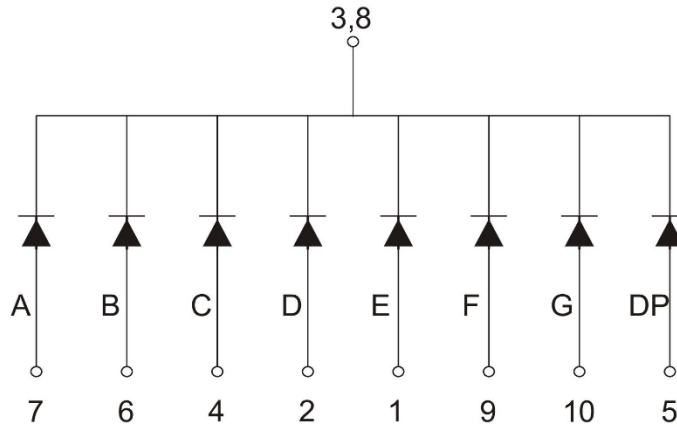
Characteristic	Test Condition	Symbol	H	S	D	E	Y	G	Units
Pulse Forward Current Per Seg.	1/10 duty cycle 0.1ms Pulse width	I <sub>FP</sub>	50	100	100	100	100	100	mA
DC Forward Current Per Seg.		I <sub>F</sub>	15	25	25	30	30	30	mA
Reverse Current Per Seg.	V <sub>R</sub> =5V	I <sub>R</sub>	10	10	10	10	10	10	μA
Power Dissipation		P <sub>D</sub>	40*8	60*8	60*8	80*8	80*8	80*8	mW
Operating Temperature		T <sub>OPR</sub>	-40 to +80						°C
Storage Temperature		T <sub>TSG</sub>	-40 to +85						°C
Lead soldering temperature	1.60mm from body maximum 3 seconds		260						°C

# PACKAGE DIMENSION



# INTERNAL CIRCUIT DIAGRAM

## Common Cathode NFD-5011Ax



## Common Anode NFD-5011Bx

