

7 Segment Display C.A. Green Char. Ht. 0.5 In.

Part Number - 08FNDGRAN

Specifications :-

- 7 Segment LED Displays C.A.
- Green Char.Ht. 0.5"

Features:

- *High segment intensity
- *Wide viewing angle
- *Range of colors
- *Gray face White segment
- *RoHS compliant

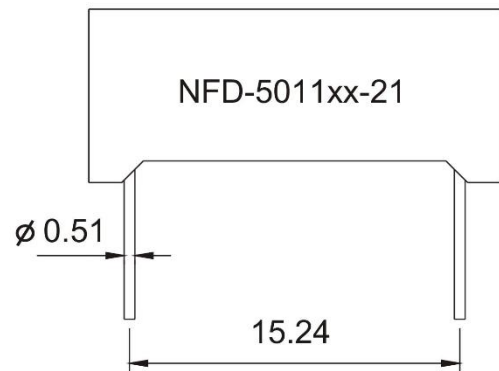
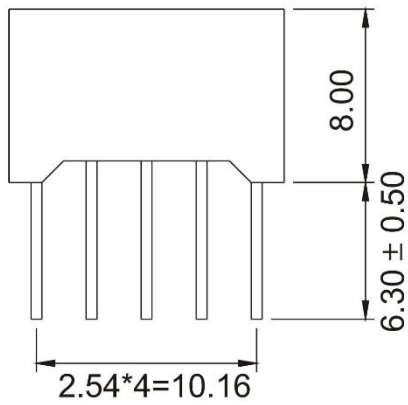
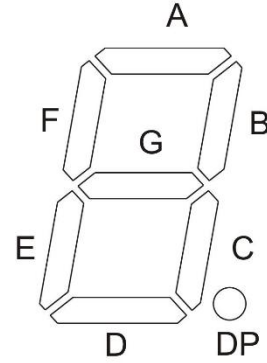
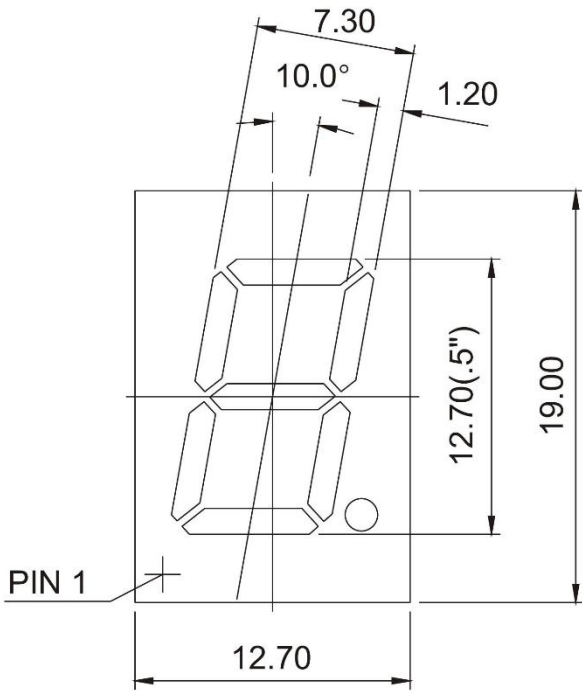
Available option:

- * Alternative face and segment color
- * Alternative font
- * Cropped terminal pins
- * Available emitting color
- * Low current version

Maximum Ratings Ta=25°C (Derate above 25°C)

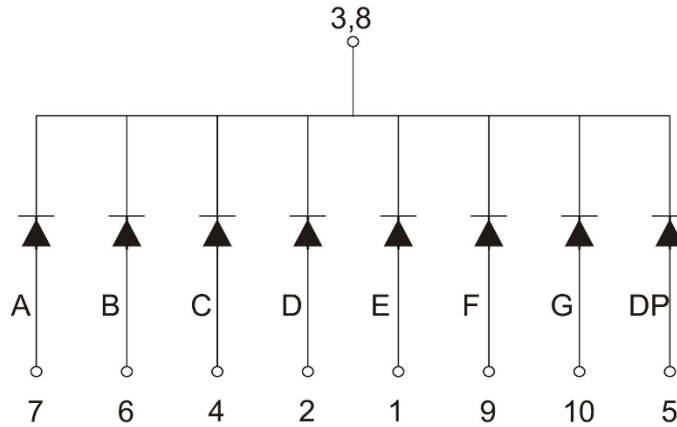
Characteristic	Test Condition	Symbol	H	S	D	E	Y	G	Units
Pulse Forward Current Per Seg.	1/10 duty cycle 0.1ms Pulse width	I _{FP}	50	100	100	100	100	100	mA
DC Forward Current Per Seg.		I _F	15	25	25	30	30	30	mA
Reverse Current Per Seg.	V _R =5V	I _R	10	10	10	10	10	10	μA
Power Dissipation		P _D	40*8	60*8	60*8	80*8	80*8	80*8	mW
Operating Temperature		T _{OPR}	-40 to +80						°C
Storage Temperature		T _{TSG}	-40 to +85						°C
Lead soldering temperature	1.60mm from body maximum 3 seconds		260						°C

PACKAGE DIMENSION



INTERNAL CIRCUIT DIAGRAM

Common Cathode NFD-5011Ax



Common Anode NFD-5011Bx

