

Big Dome 20mm LEDs Amber

Part Number - 08C20ZYO

Specifications :-

- 6-chip LEDs
- Choice of 5 colors Blue
- Wide-angle illumination
- 4 pin DIP socket compatible
- Luminous intensity, 30–45 mcd

20mm Round Single Color Light Bar

Features:

- *Ultra segment intensity
- *Wide viewing angle
- *Range of colors
- *Color diffused
- *RoHS compliant

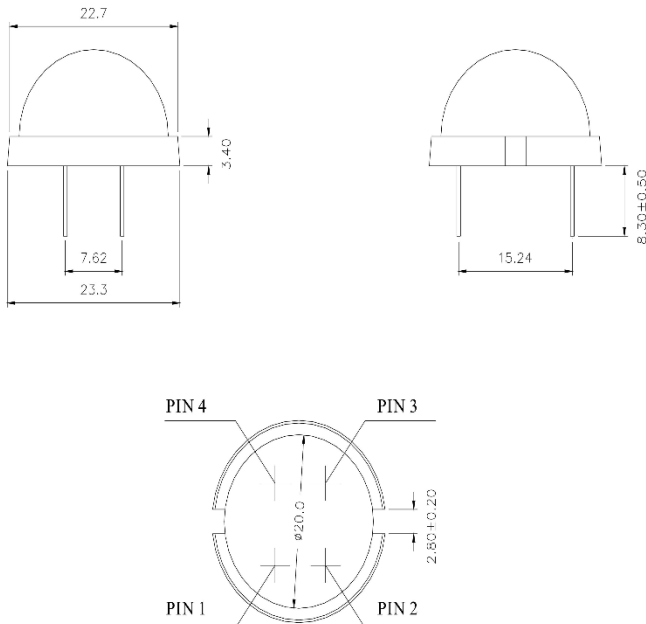
Available option:

- *Cropped terminal pins
- *Available emitting color
- *Low current version

Maximum Ratings Ta=25°C (Derate above 25°C)

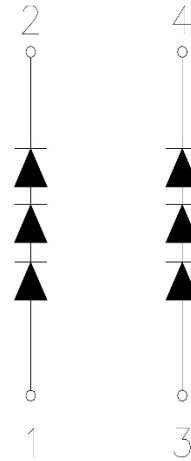
Characteristic	Test Condition	Symbol	UHR	UE	YO	UY	UG	PG	UB	UW	Units
Pulse Forward Current Per Seg.	1/10 duty cycle 0.1ms Pulse width	I _{FP}	100	100	100	100	100	100	100	100	mA
DC Forward Current Per Seg.		I _F	30	30	30	30	30	30	30	30	mA
Reverse Current Per Seg.	V _R =10V	I _R	10	10	10	10	10	10	10	10	μA
Power Dissipation		P _D	65*6	65*6	65*6	65*6	75*6	110*6	120*6	120*6	mW
Operating Temperature		T _{OPR}	-40 to +80								°C
Storage Temperature		T _{TSG}	-40 to +85								°C
Lead soldering temperature	1.60mm from body maximum 3 seconds		260								°C

PACKAGE DIMENSION



INTERNAL CIRCUIT DIAGRAM

NFA-C20Zx



Tolerance ±0.25mm unless stated

