

## Big Dome 20mm LEDs Red

Part Number - 08C20ZUHR

### Specifications :-

- 6-chip LEDs
- Choice of 5 colors Blue
- Wide-angle illumination
- 4 pin DIP socket compatible
- Luminous intensity, 30–45 mcd

## 20mm Round Single Color Light Bar

### **Features:**

- \*Ultra segment intensity
- \*Wide viewing angle
- \*Range of colors
- \*Color diffused
- \*RoHS compliant

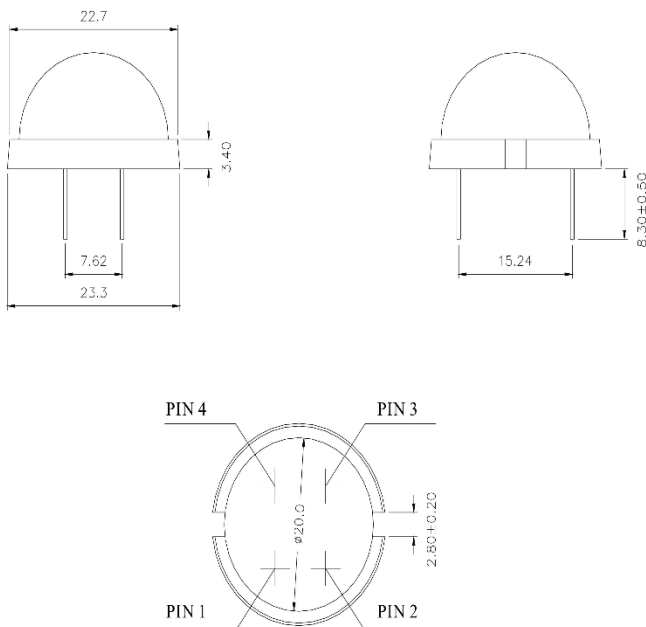
### **Available option:**

- \*Cropped terminal pins
- \*Available emitting color
- \*Low current version

# Maximum Ratings Ta=25°C (Derate above 25°C)

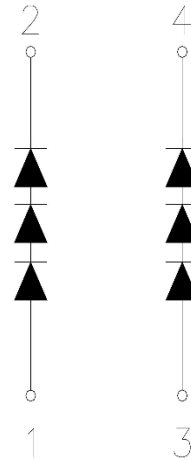
Characteristic	Test Condition	Symbol	UHR	UE	YO	UY	UG	PG	UB	UW	Units
Pulse Forward Current Per Seg.	1/10 duty cycle 0.1ms Pulse width	I <sub>FP</sub>	100	100	100	100	100	100	100	100	mA
DC Forward Current Per Seg.		I <sub>F</sub>	30	30	30	30	30	30	30	30	mA
Reverse Current Per Seg.	V <sub>R</sub> =10V	I <sub>R</sub>	10	10	10	10	10	10	10	10	μA
Power Dissipation		P <sub>D</sub>	65*6	65*6	65*6	65*6	75*6	110*6	120*6	120*6	mW
Operating Temperature		T <sub>OPR</sub>	-40 to +80								°C
Storage Temperature		T <sub>TSG</sub>	-40 to +85								°C
Lead soldering temperature	1.60mm from body maximum 3 seconds		260								°C

## PACKAGE DIMENSION



## INTERNAL CIRCUIT DIAGRAM

### NFA-C20Zx



Tolerance ±0.25mm unless stated