

Blue 7 Segment LED Displays 0.3 In. C.A.

Part Number - 08BL72

Specifications :-

- Blue 7 Segment LED Displays 0.3" to 2" High Pin Out Industry Equal Man72 or TIL312 Char Ht. 0.3" C.A. Blue

0.30" (7.80mm) Single Digit 7 Segment Display

Features:

- *Ultra segment intensity
- *Wide viewing angle
- *Range of colors
- *Gray face White segment
- *RoHS compliant

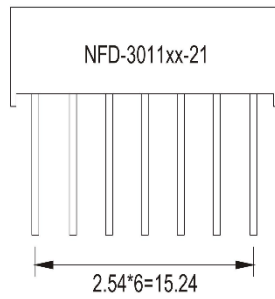
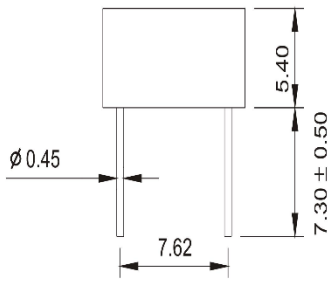
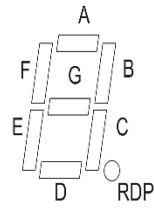
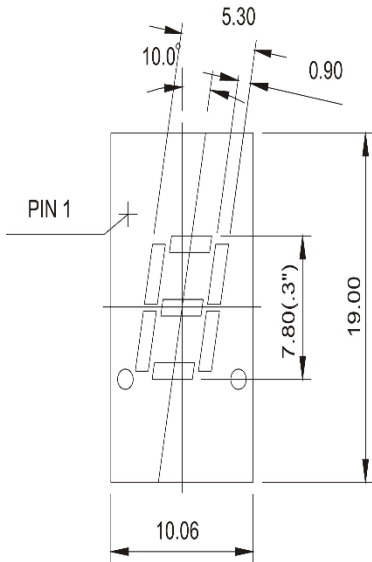
Available option:

- *Alternative face and segment color
- *Alternative font
- *Cropped terminal pins
- *Available emitting color
- *Low current version

Maximum Ratings $T_a=25^{\circ}\text{C}$ (Derate above 25°C)

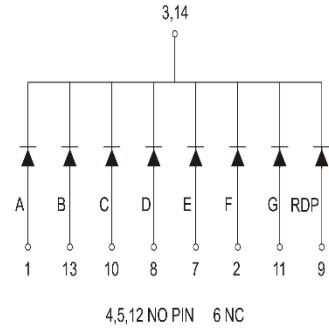
Characteristic	Test Condition	Symbol	UHR	UE	YO	UY	UG	PG	UB	UW	Units
Pulse Forward Current Per Seg.	1/10 duty cycle 0.1ms Pulse width	I_{FP}	100	100	100	100	100	100	100	100	mA
DC Forward Current Per Seg.		I_F	30	30	30	30	30	30	30	30	mA
Reverse Current Per Seg.	$V_R=5V$	I_R	10	10	10	10	10	10	10	10	μA
Power Dissipation		P_D	65*8	65*8	65*8	65*8	75*8	110*8	120*8	120*8	mW
Operating Temperature		T_{OPR}	-40 to +80								$^{\circ}\text{C}$
Storage Temperature		T_{TSG}	-40 to +85								$^{\circ}\text{C}$
Lead soldering temperature	1.60mm from body maximum 3 seconds		260								$^{\circ}\text{C}$

PACKAGE DIMENSION

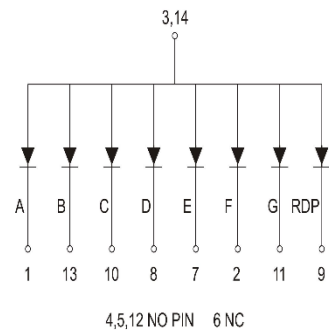


INTERNAL CIRCUIT DIAGRAM

Common Cathode NFD-3011Ex



Common Anode NFD-3011Fx



Tolerance ± 0.25 mm unless stated