

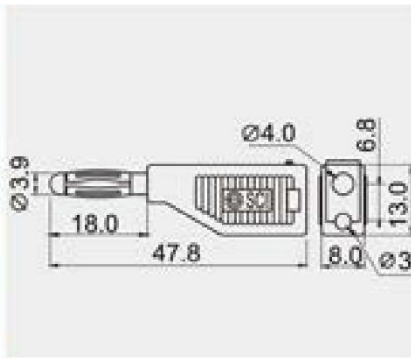
STACKING BANANA PLUG

Part Number - 070332271

Specifications :-

FEATURES:

- Material:
Plug: nickel plated heat treated beryllium copper.
Handle: PVC.
- Fits O.D. less \varnothing 3mm wire by soldering or \varnothing 4.0mm banana plug.
- Fits \varnothing 4mm standard banana socket.



Red. Black.
(Blue. Yellow. Green)

30A

DC500V 100M Ω

AC 1500V 1 minute

-20 $^{\circ}$ C ~ +80 $^{\circ}$ C