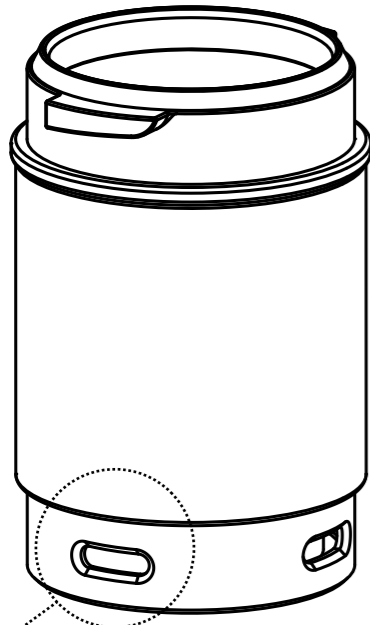


SPRING CLEAN INSTRUCTION MANUAL

WEBER WORKSHOPS



HOW THE SPRING CLEAN WORKS

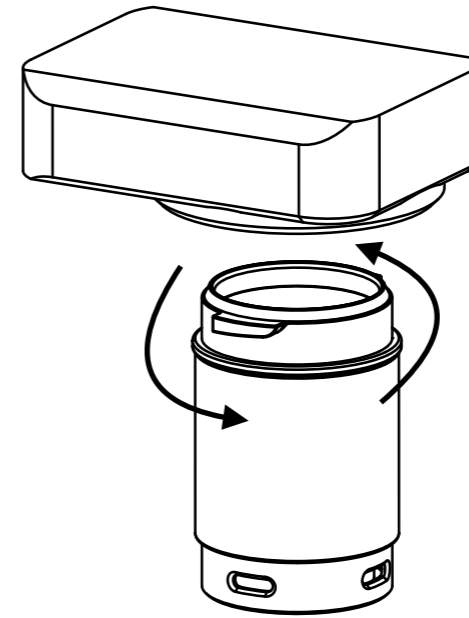


THE SPRING CLEAN WAS INVENTED AND DESIGNED TO IMPROVE THE BACKFLUSH PROCESS BY GENERATING SIGNIFICANTLY MORE WATER FLOW BACK THROUGH THE BREW LINES AND THE 3-WAY SOLENOID VALVE OF 58MM PORTAFILTER COMMERCIAL ESPRESSO MACHINES. BY USING MORE WATER, THE RESULT IS A CLEANER AND BETTER FUNCTIONING MACHINE. USE IT ONCE WHEN CHANGING BEAN TYPES TO PREVENT ANY LINE CONTAMINATION THAT MAY AFFECT FLAVOR. A CLEANER MACHINE IS A BETTER MACHINE.

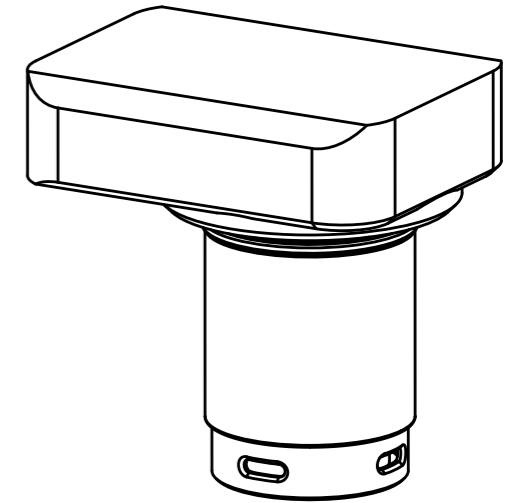
INDICATOR WINDOW COLORS

GREEN: PISTON UP, SAFE TO REMOVE IF PUMP OFF.
 RED: PISTON IN MOTION, FILLED WITH HOT WATER
 YELLOW: PISTON AT BOTTOM POSITION, OK TO STOP PUMP.

HOW TO USE THE SPRING CLEAN



STEP 1
 ATTACH SPRING CLEAN TO GROUP HEAD THE SAME WAY YOU WOULD ATTACH A PORTAFILTER. TWIST FIRMLY INTO PLACE TO ENSURE A GOOD SEAL ON THE GASKET. IF YOU ARE USING DETERGENT, PLACE IT ON TOP OF THE PISTON AT THIS TIME.

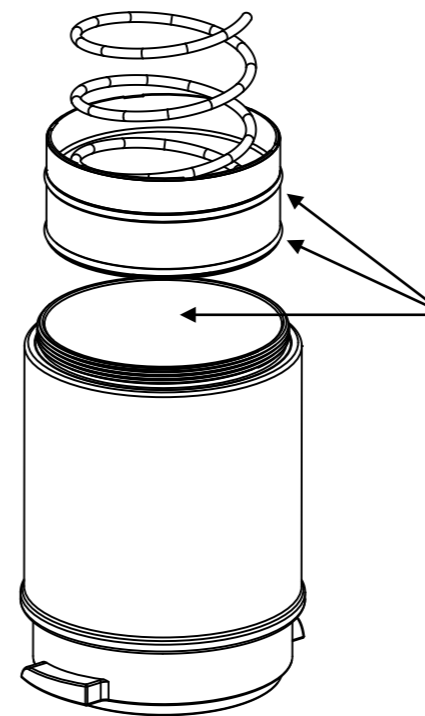
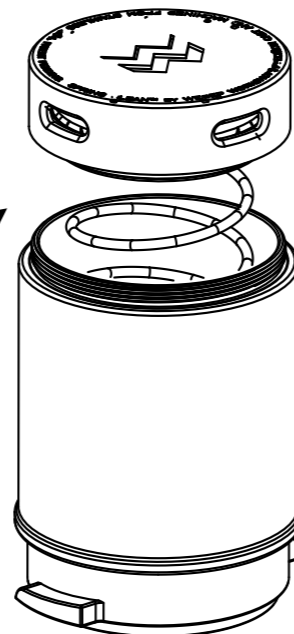


STEP 2
 START MACHINE PUMP. INDICATOR WILL CHANGE FROM GREEN → RED → YELLOW. ONCE IT TURNS YELLOW, STOP PUMP AND ALLOW THE BACKFLUSH TO BEGIN. IT MAY TAKE 30 SECONDS OR SO TO COMPLETE. AFTER THE INDICATOR TURNS BACK TO GREEN, WAIT ANOTHER 10 SECONDS AND MAKE SURE THE MACHINE PRESSURE IS AT 0. USE CAUTION WHEN REMOVING SPRING CLEAN — YOU MAY WISH TO USE A RUBBER DISHWASHING GLOVE TO PREVENT HOT WATER FROM SPILLING ONTO HANDS.

MAINTAINING THE SPRING CLEAN

FROM TIME TO TIME THE SPRING CLEAN WILL REQUIRE MAINTENANCE. IF THE PISTON DOES NOT FULLY RETURN TO THE TOP POSITION, IT MAY BE TIME TO RE-LUBRICATE THE INSIDE WALLS OF THE PISTON, MUCH AS IS DONE IN A LEVER OPERATED ESPRESSO MACHINE. USE MOLYKOTE III FOOD GRADE LUBE OR EQUIVALENT.

STEP 1
 REMOVE BOTTOM CAP BY UNSCREWING FROM THE MAIN BODY.



STEP 2
 REMOVE PISTON AND APPLY LUBE TO BOTH O-RINGS AND THE INSIDE WALL OF PISTON CHAMBER.

STEP 3
 REPLACE PISTON AND SCREW BACK ON THE BOTTOM CAP.