



KEY COFFEE GRINDER INSTRUCTION MANUAL

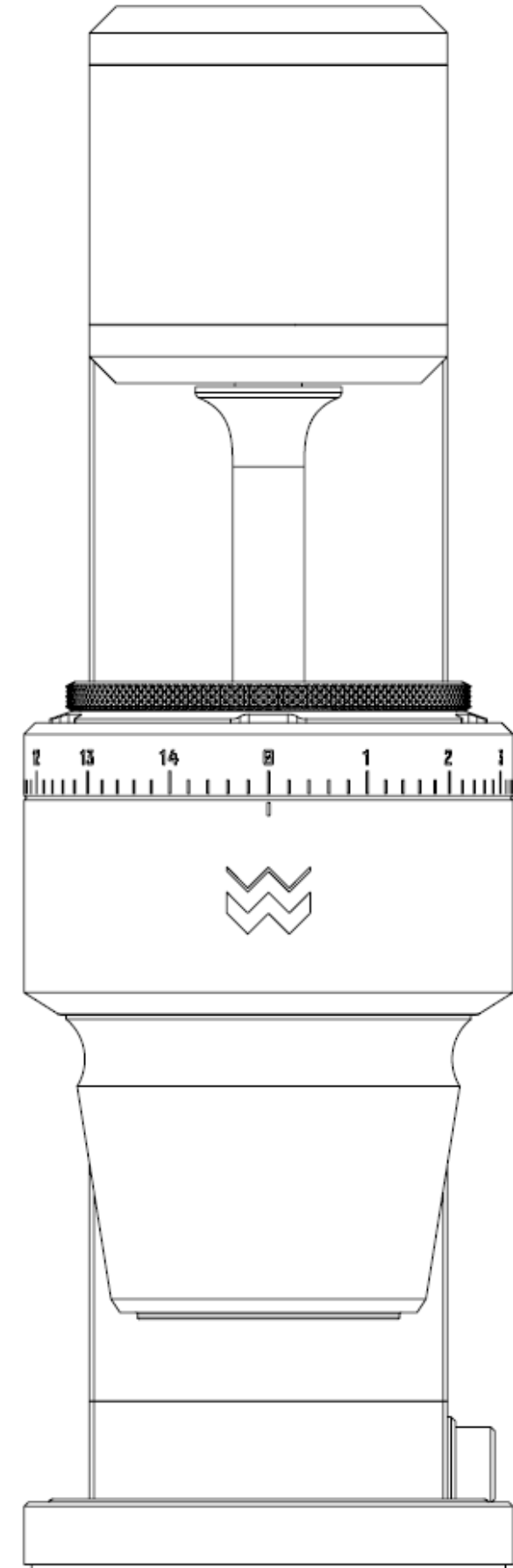


TABLE OF CONTENTS

WHAT'S INBOX PARTS LIST	1
KEY GRINDER PART NAMES	2
QUICKSTART BASIC USAGE	3
- FIRST STEPS	3
- ATTACH MAGIC/STATIC WIPER	3
- PLACING TUMBLER	4
- POWERING ON/OFF	5
- ADJUSTING RPM	5
- ADJUSTING GRIND SETTINGS	5
- POWER OFF	6
- CLEANING	6
WARNINGS & SAFETY INFORMATION	7
ELECTRICAL SPECIFICATIONS	8

INSIDE THE KEY BOX YOU WILL FIND THE FOLLOWING:

MAIN UNIT

CLEANING BRUSH

BEAN COVER

MAGIC TUMBLER AND WIPER

STANDARD TUMBLER (SOLD SEPARATELY)

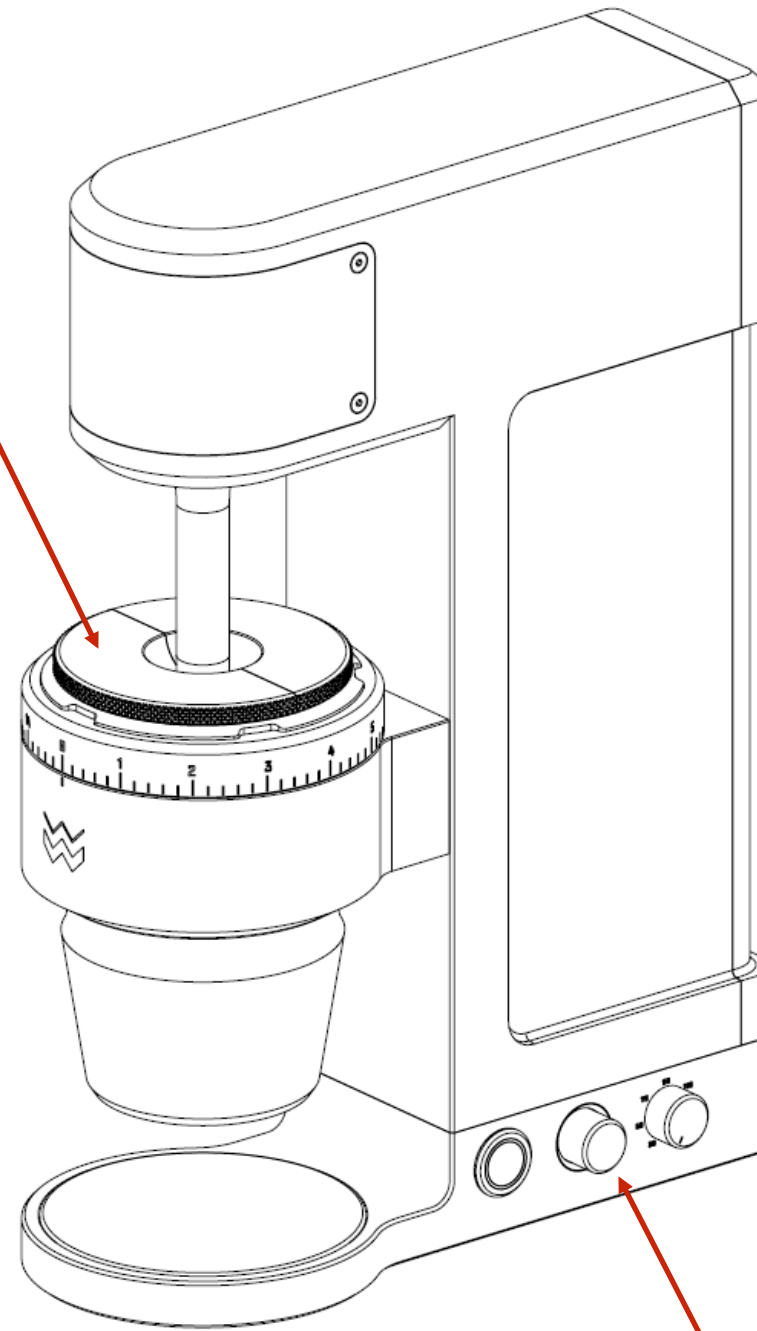
DOSING CUP

TWO SPARE STAINLESS WIPERS

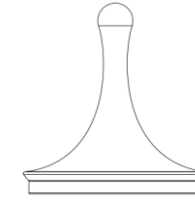
POWER CORD

* USE TYPE C13 COMPUTER CABLE

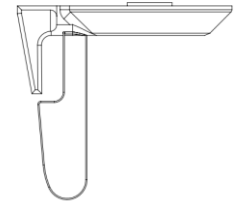
BEAN COVER



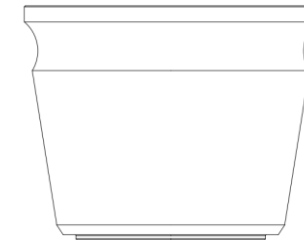
MAGIC TUMBLER SETS



PLUG



WIPER
+2 SPARE WIRES

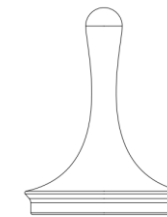


CUP

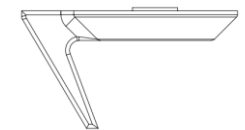


WASHER
SHARE WITH
STANDARD TUMBLER

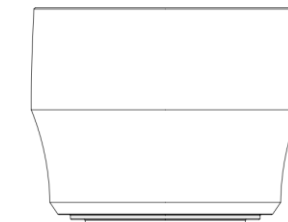
STANDARD TUMBLER (SOLD SEPARATELY)



PLUG



WIPER



CUP

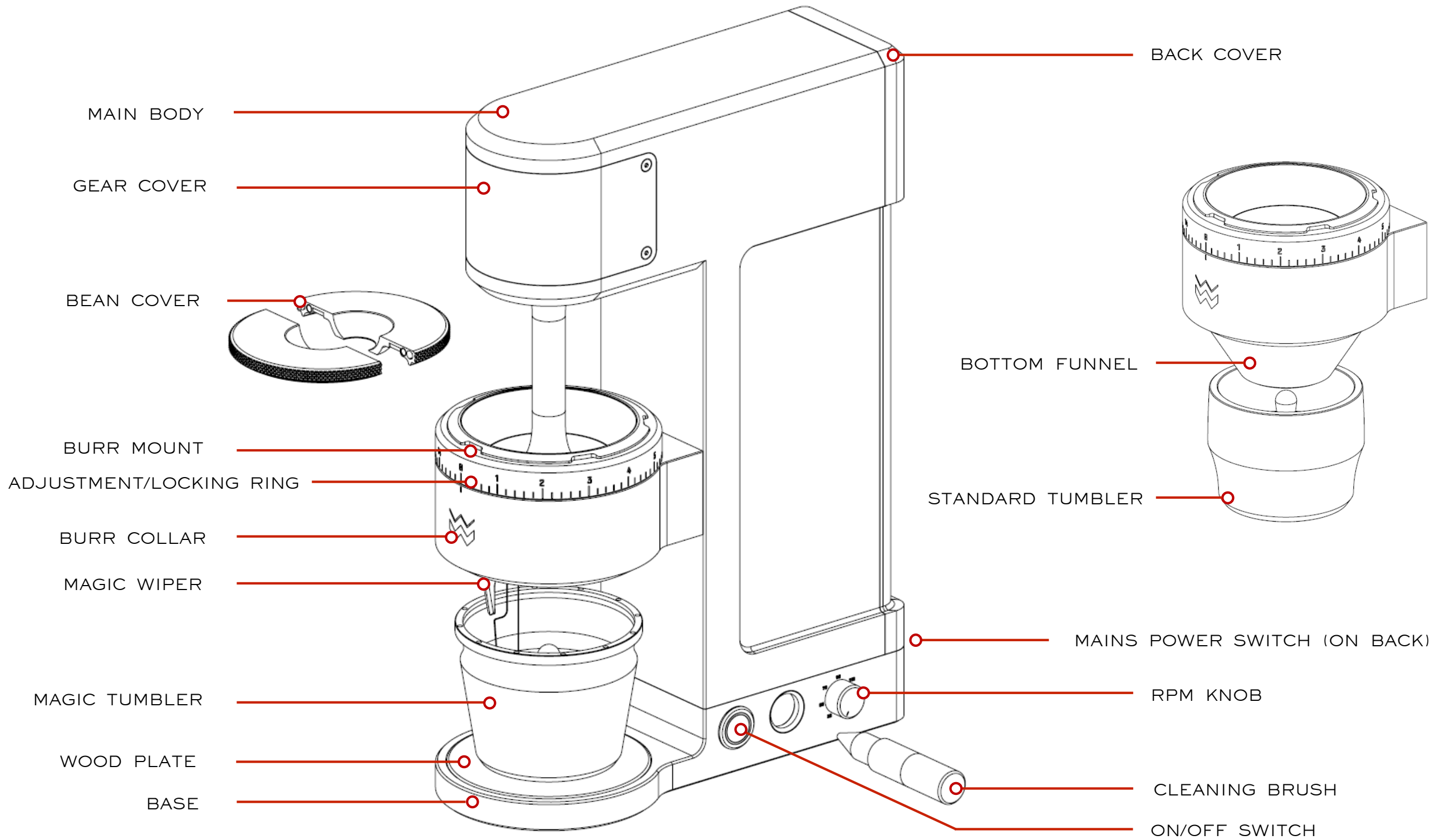


FUNNEL

CLEANING BRUSH



KEY GRINDER PARTS NAME

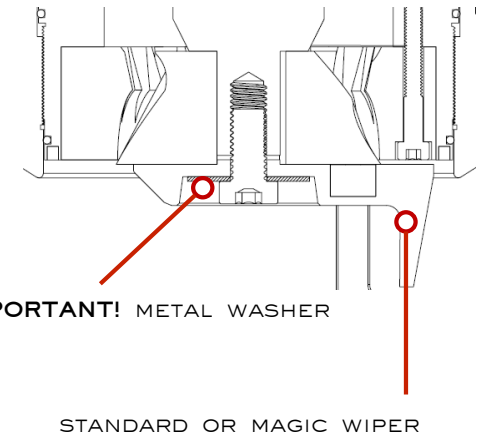
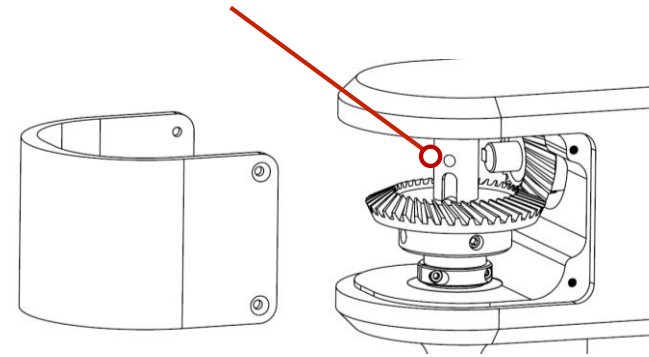


1 - Placement. Find a flat, dry counter space with access to a power outlet. The KEY is made to be usable in 100v - 240v regions without the need for a separate transformer. It uses a C13 style cable (like a computer does) that can be purchased locally as needed.

2 - Remove from box. Using both hands, carefully pull the KEY straight out of the packaging. Use caution - it's heavy.

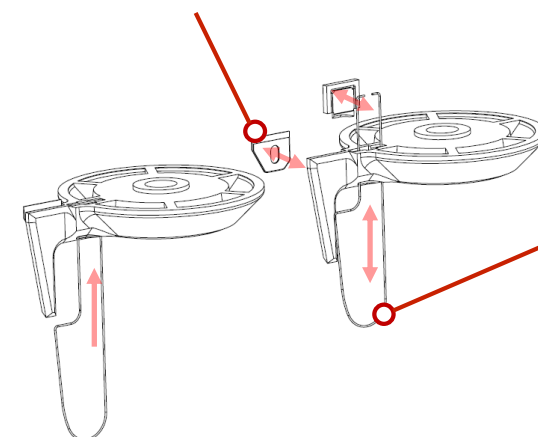
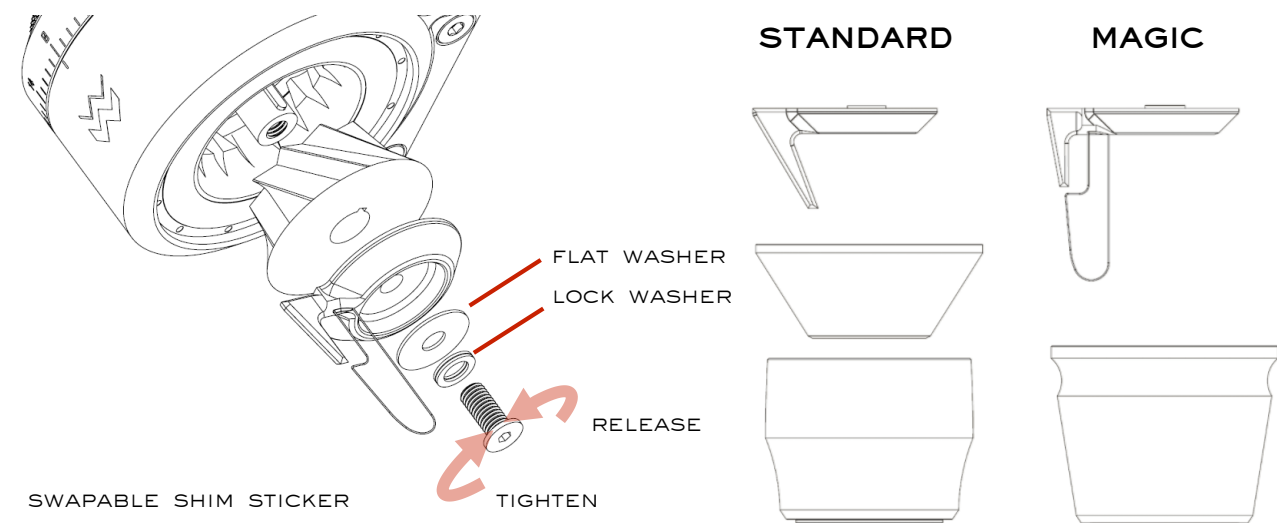
3 - Attach Magic/Static wiper. Lay the grinder on its side on a clean towel or cloth. Use the included 5mm hex key to remove the screw holding the lower axle cap in place. Remove the axle cap and store for safekeeping. You may need to dump some coffee beans into the funnel and use a rubber glove to hold the shaft securely enough to remove the screw (tapping the end of the allen key abruptly will also help). Re-use the screw and thread it through the washer and wiper; then using the 5mm hex key, securely tighten the screw.

IF THE BOTTOM BOLT IS STUCK AND CANNOT BE REMOVED (THE SHAFT TURNS WITH IT), YOU CAN REMOVE THE GEARBOX COVER AND PLACE A METAL ROD (OR ALLEN KEY) THROUGH THE HOLE IN THE SHAFT TO LOCK IT IN PLACE.



WARNING: Shut down mains power before removing gearbox cover. The gears can be a pinch-point for fingers when exposed.

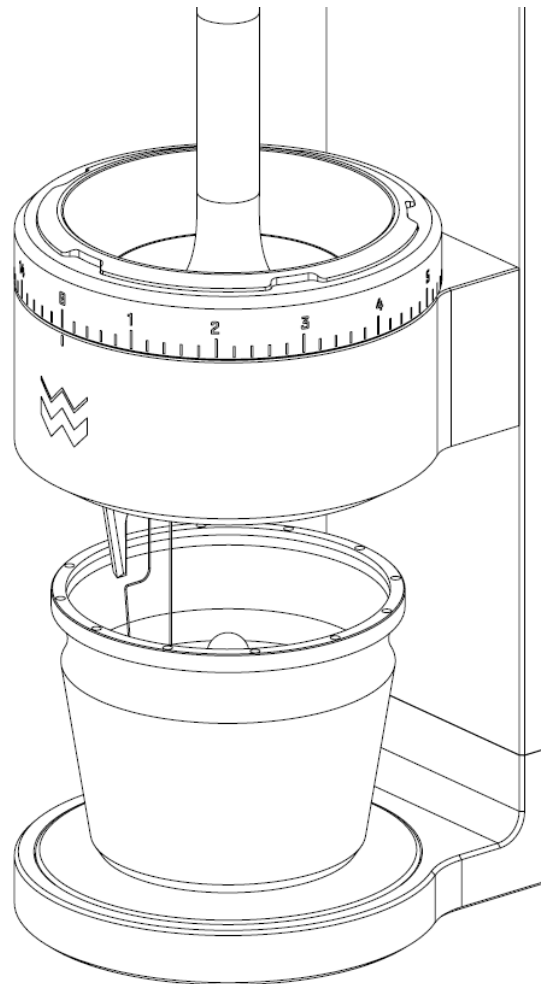
CHOOSE MAGIC TUMBLER OR STANDARD TUMBLER WIPER



THE MAGIC WIPER HAS A REPLACEABLE STIRRING ROD IN CASE IT GETS BENT OR DAMAGED. PUSH OUT THE INSERT BLOCK ON BACKSIDE OF WIPER (NEEDS TO BE REMOVED FROM MACHINE) TO SWAP THE STIRRING ATTACHMENT.

4. Choosing and placing tumbler.

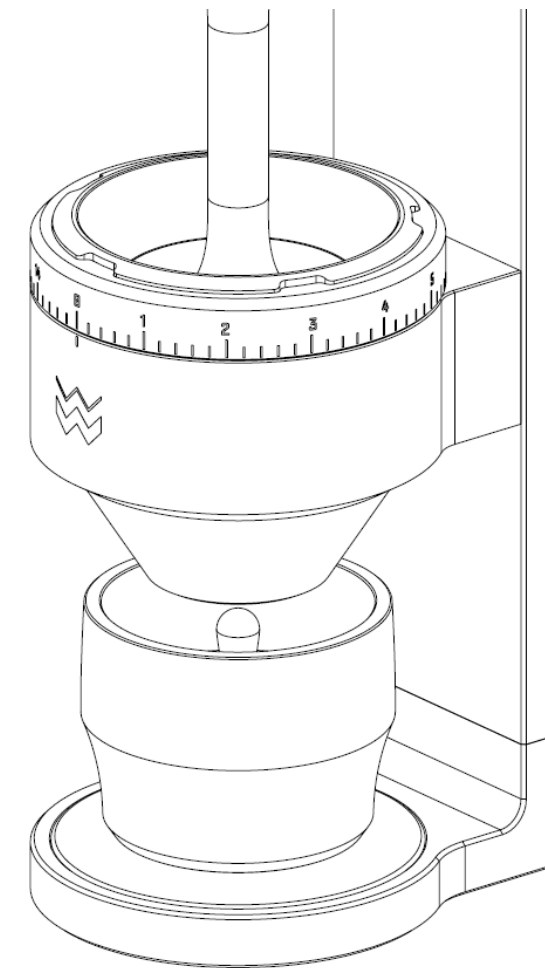
Magic tumbler: Ensure the tumbler plug is properly seated inside the magic tumbler, then attach the magic tumbler into the magnetic mount, being careful not to damage the static wiper or the stirring rods. This gets easy with practice.



Magic Tumbler

- 58mm portafilter
- MOKA pot
- Pour-over
- etc.

Standard tumbler: Attach the lower funnel into the magnetic mount. Ensure the tumbler plug is properly seated inside the standard tumbler. Center the tumbler directly beneath the lower funnel. It will self-center with the magnets.

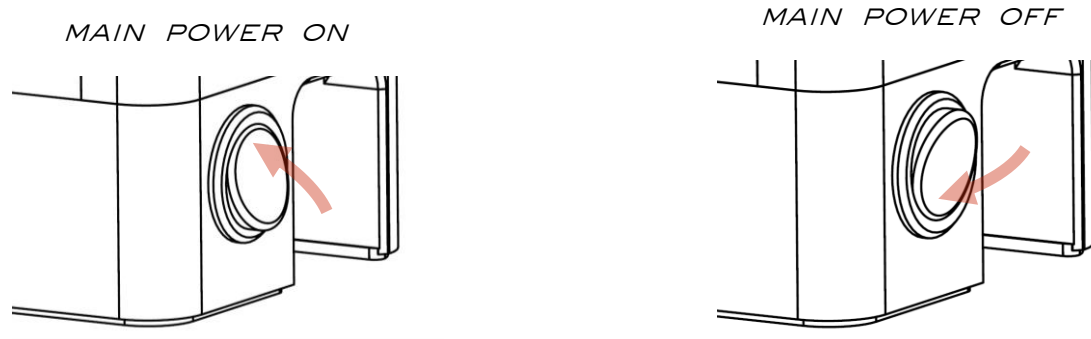


Standard Tumbler

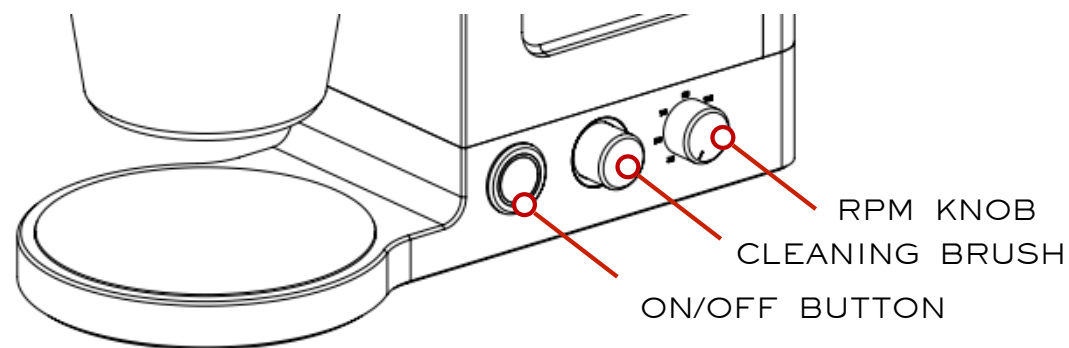
- 58 **or** 49mm portafilter
- Pour-over
- etc.

5 - Plug in unit. Use the included power cord. You may need an adapter or an alternative C13 style cable for your country, but a transformer should not be needed as it works anywhere with a 100v-240v (50 or 60Hz) electrical service.

6 - Power on mains. This is the switch on the back of the unit next to where the cord plugs in.

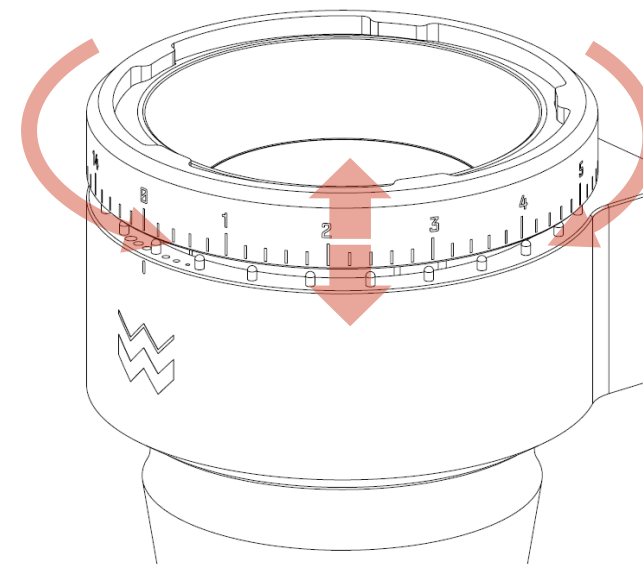


7 - Adjust the RPM level. Turn the knob counterclockwise to reduce to the 50 - 70 RPM range (a good starting point).



8 - Using the On/Off Button. When the burrs are spinning, the button will illuminate and remain depressed. **Be sure not to leave the grinder ON/Spinning for excessive periods of time.**

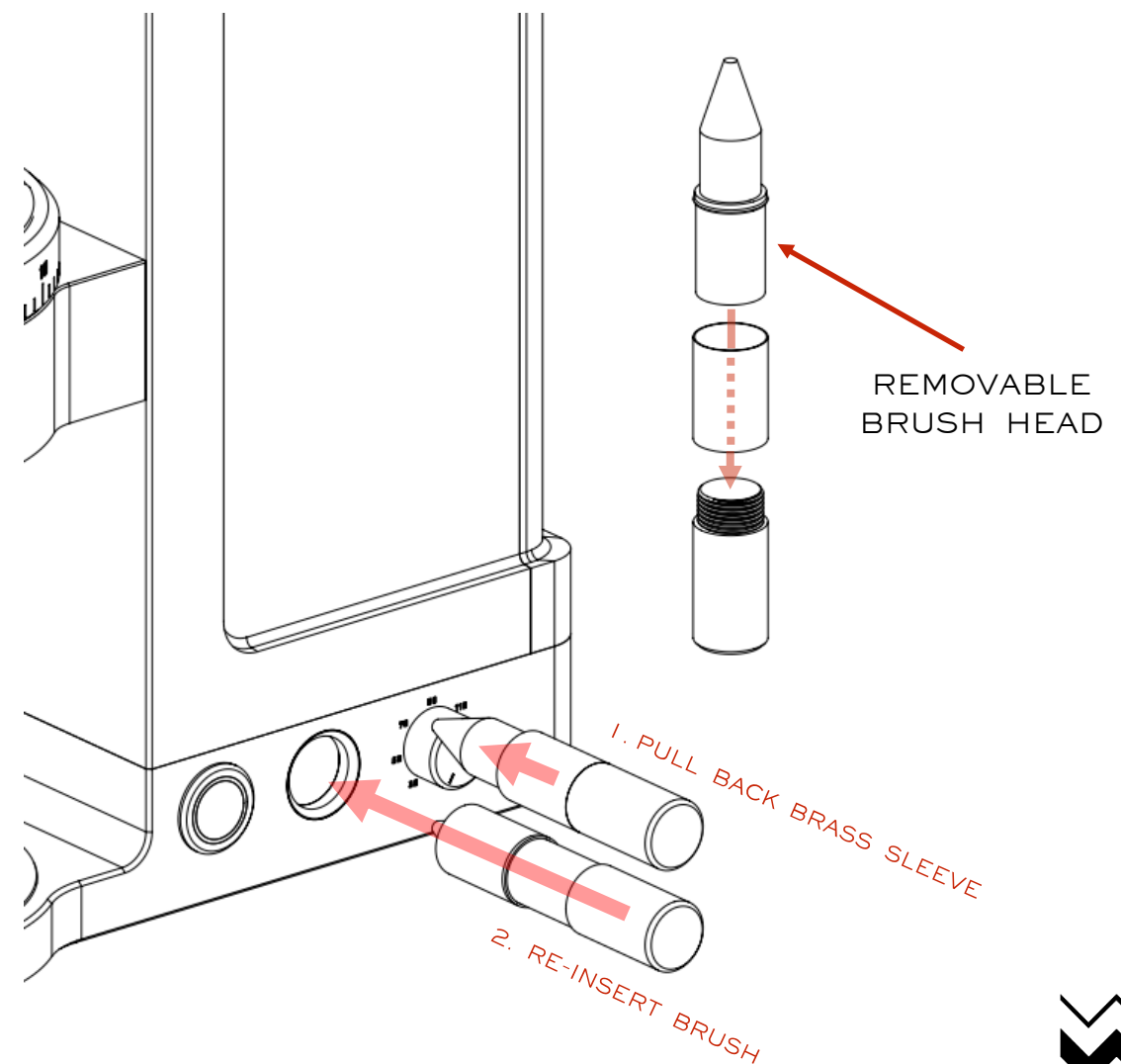
9 - Adjust the Grind. Test grind a small amount of coffee to verify the initial setting. The KEY ships pre-set to a reasonable grind setting for espresso. You will need to make appropriate adjustments for your particular coffee and brewing method. Adjustments are made by lifting the locking ring and turning. Larger numbers mean larger particles (clockwise = coarser). Some coffee remnants may remain in the grinder during shipping, as we test-grind ~200g of coffee with each unit before shipping. While we do clean, a small amount of coffee may remain.







10 - Grinding Coffee. When you are happy with your grind setting, you can dump your coffee dose into the Bean Dish. You may use either a "Hot Start" where the grinder is on/spinning before the beans are introduced, or a "Cold Start" where the beans are added before turning the grinder on. We typically recommend using a Hot Start when operating the KEY. A typical dose takes around 20-30s for a 20g dose to finish grinding (depending on grind size and RPM setting).

11 - Power Off. We recommend powering down at mains overnight for cafes, or during any prolonged period without use in the home.

12 - Cleaning the Grinder. Use the brush to clean the burr, funnel, base-plate, etc. To replace the brush in the base, first pull the brass outer sleeve to cover the bristles before re-insertion. Upon re-insertion, the cap will be pushed back for immediate use upon removal.



-  Misuse of the grinder or use other than for the intended purpose may result in serious injury. Adult supervision is required.
-  Before servicing, inspecting, or cleaning the grinder, unplug from mains electricity.
-  Do NOT operate the grinder without the Magic tumbler or the Funnel in place.
-  Do NOT at any time place fingers or foreign objects inside the grind chamber.

PRODUCT NAME: KEY COFFEE GRINDER

MODEL NUMBER: KEY-V2 MODEL

RATED VOLTAGE: 100-240V

FREQUENCY: 50/60HZ

POWER: 315-385W

