



EG-1 COFFEE GRINDER INSTRUCTION MANUAL

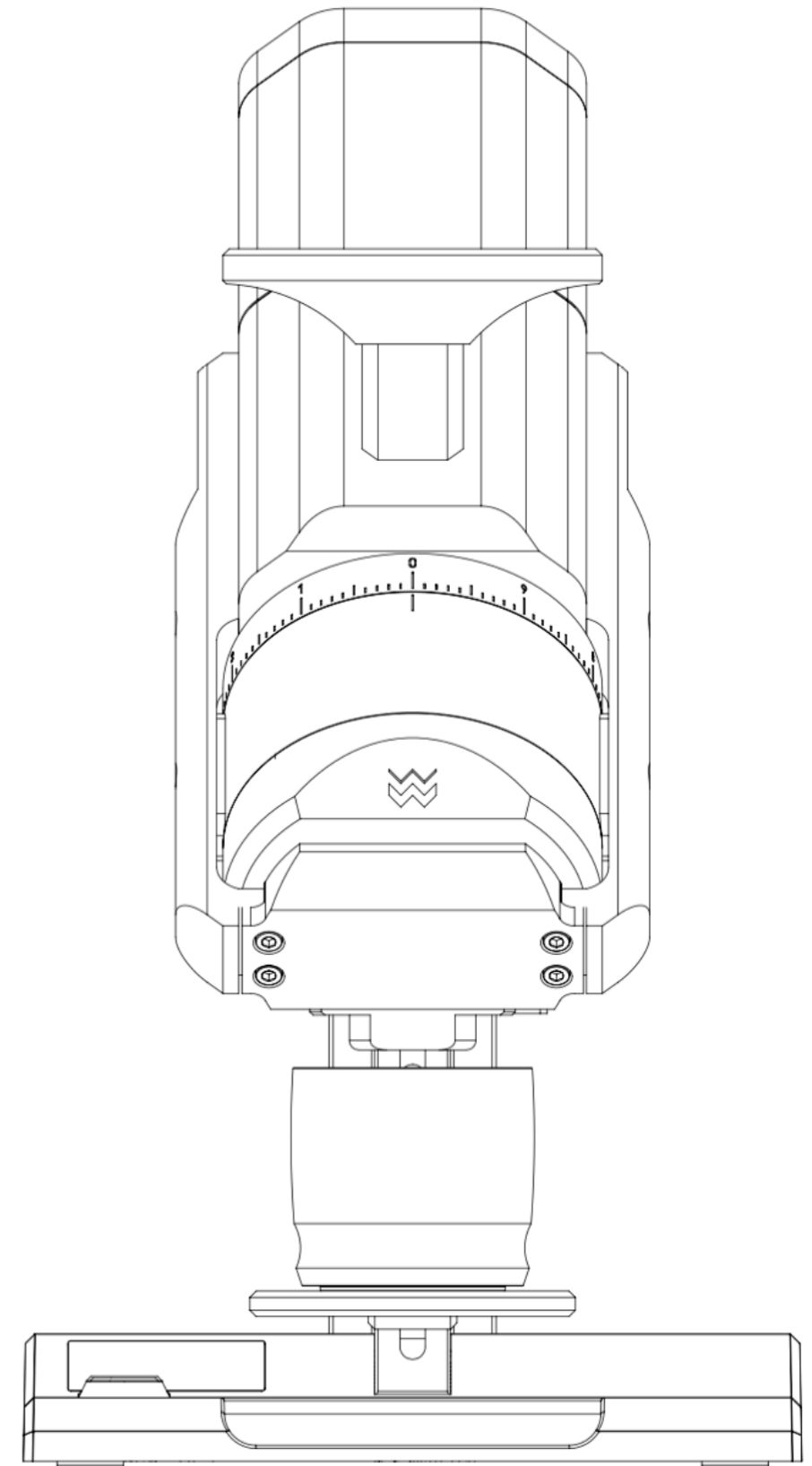


TABLE OF CONTENTS

WHAT'S INBOX PARTS LIST	1
EG- PART NAMES	2
QUICKSTART BASIC USAGE	
- FIRST STEPS	3
- ATTACHING SHAKER PLATEN/PORTAFILTER RAILS	3
- ADJUSTING RPM	4
- POWERING ON/OFF	4
- ADJUSTING GRIND SETTINGS	4
- CLEANING	5
- SLEEP & POWER OFF	5
WARNINGS & SAFETY INFORMATION	6

INSIDE THE EG-I BOX YOU WILL FIND THE FOLLOWING:

MAIN UNIT

BEAN DISH

BLIND SHAKER

SHAKER WOOD PLATEN

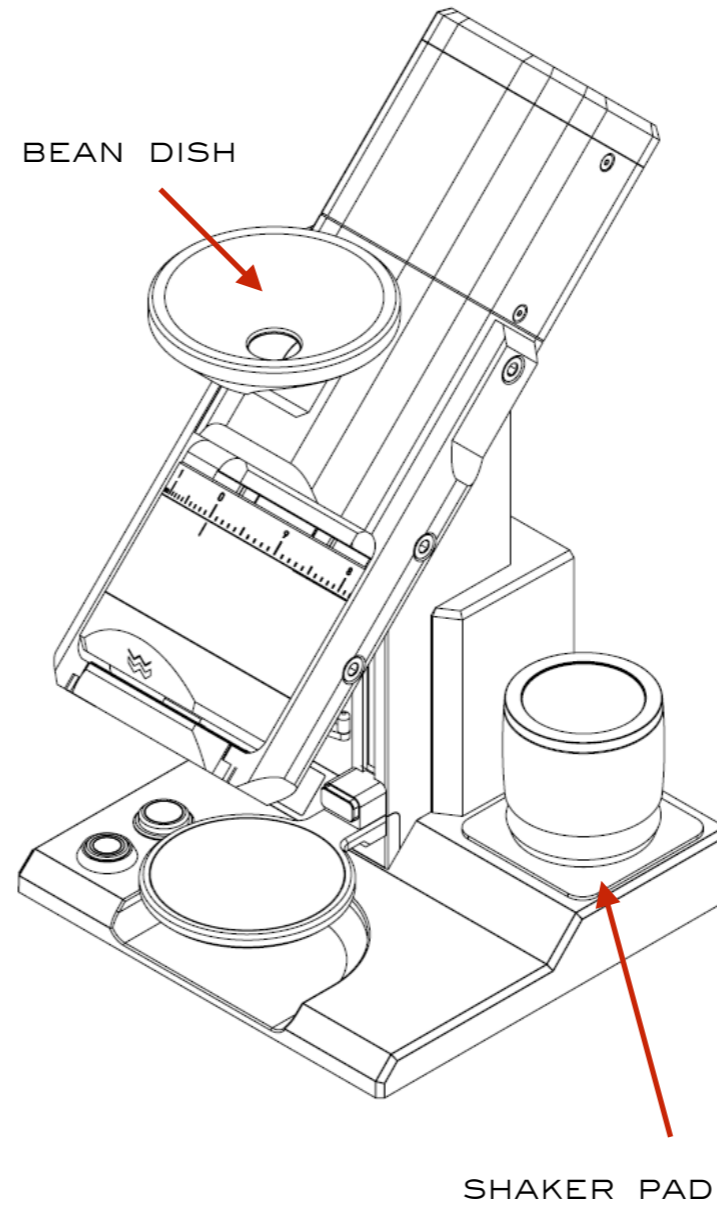
SHAKER PAD

POWER CORD (US-STYLE)

* CAN USE ANY C13 (COMPUTER) CABLE IN YOUR COUNTRY

SPARE WIPERS - 3 SETS

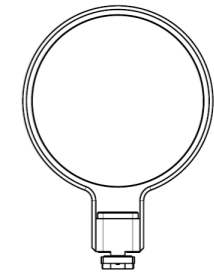
RDT BOTTLE



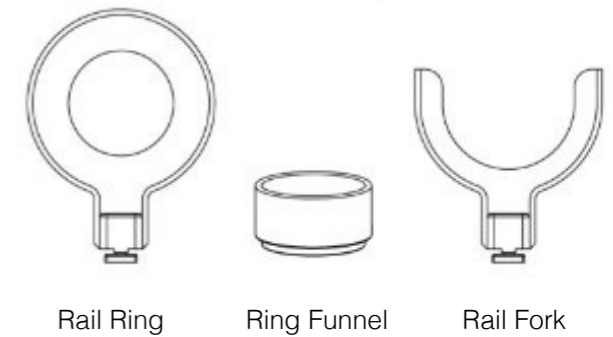
Blind Shaker

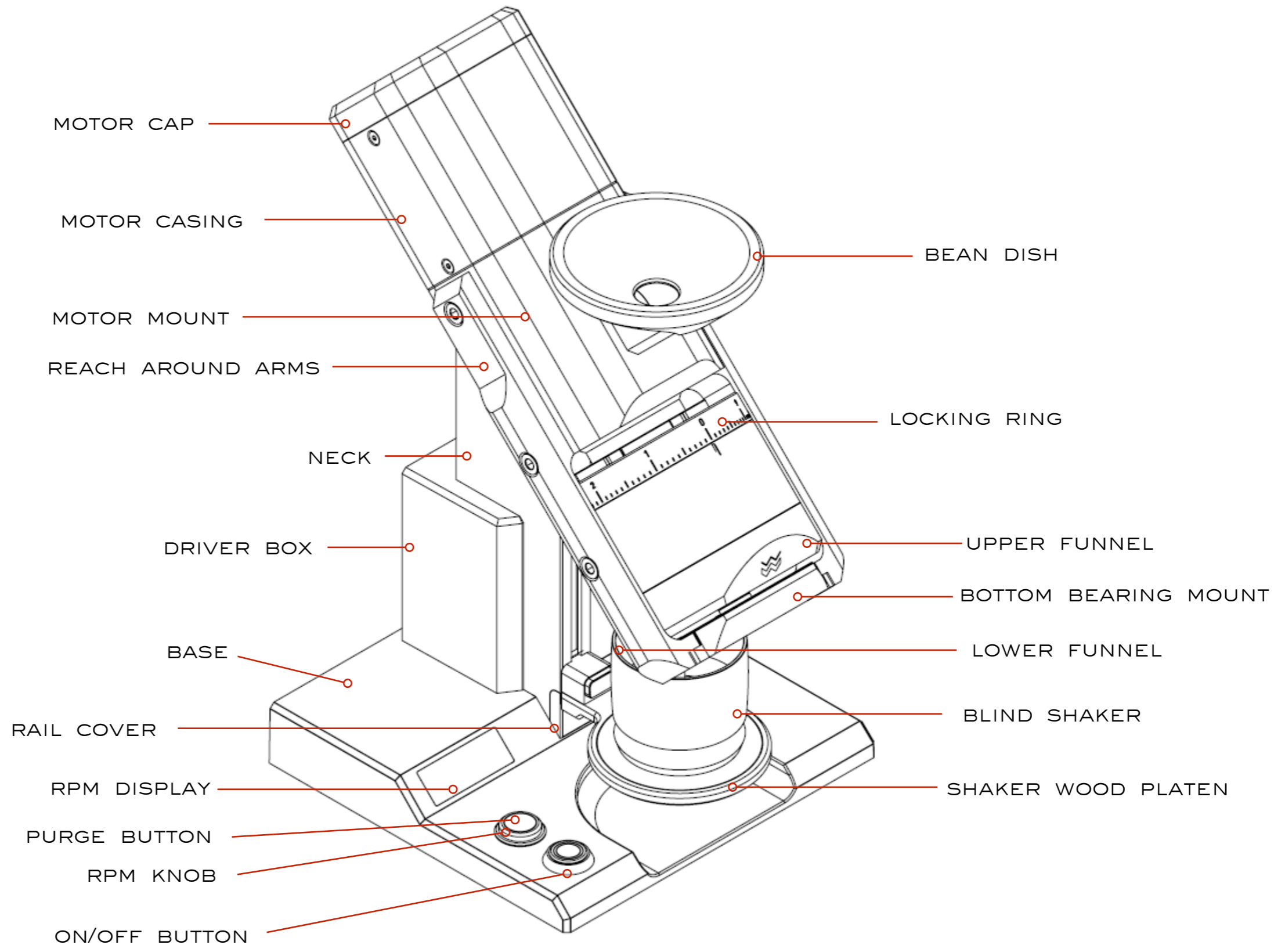


Shaker Platen



Option
Portafilter Rail System

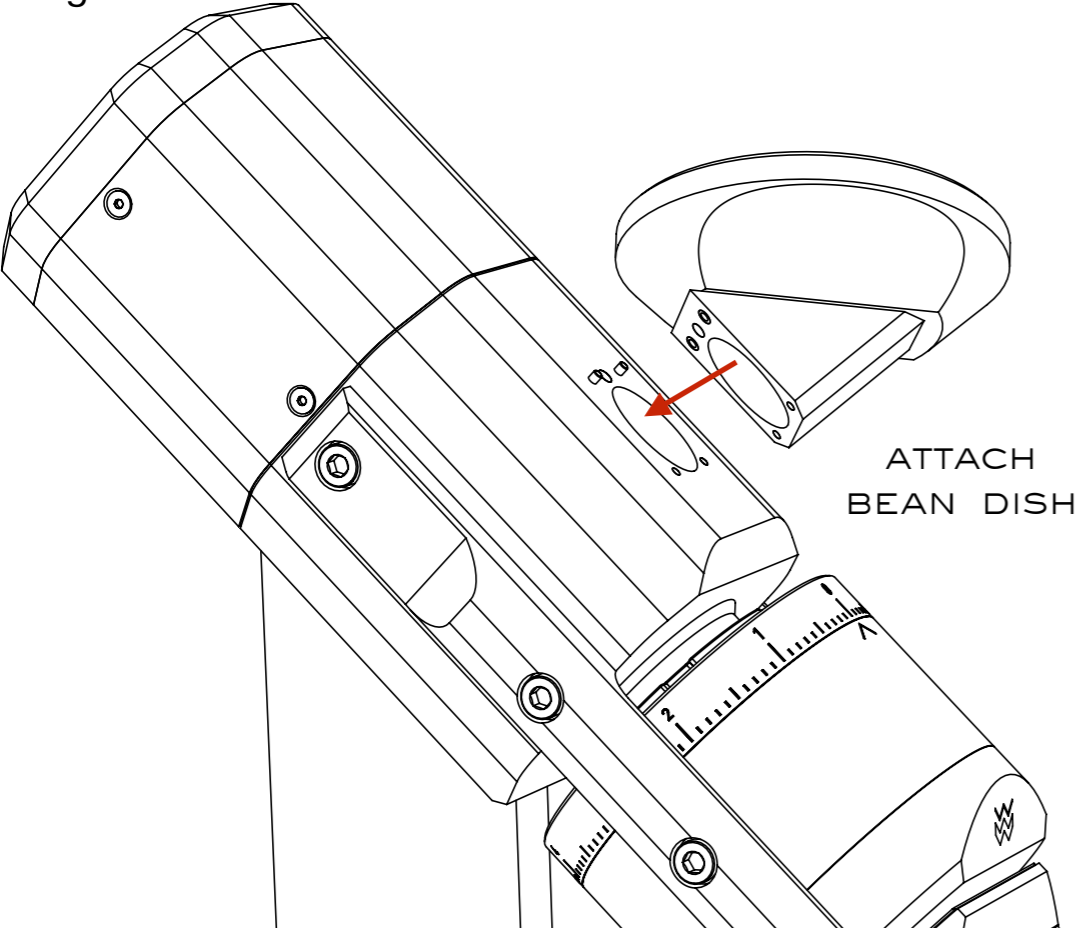




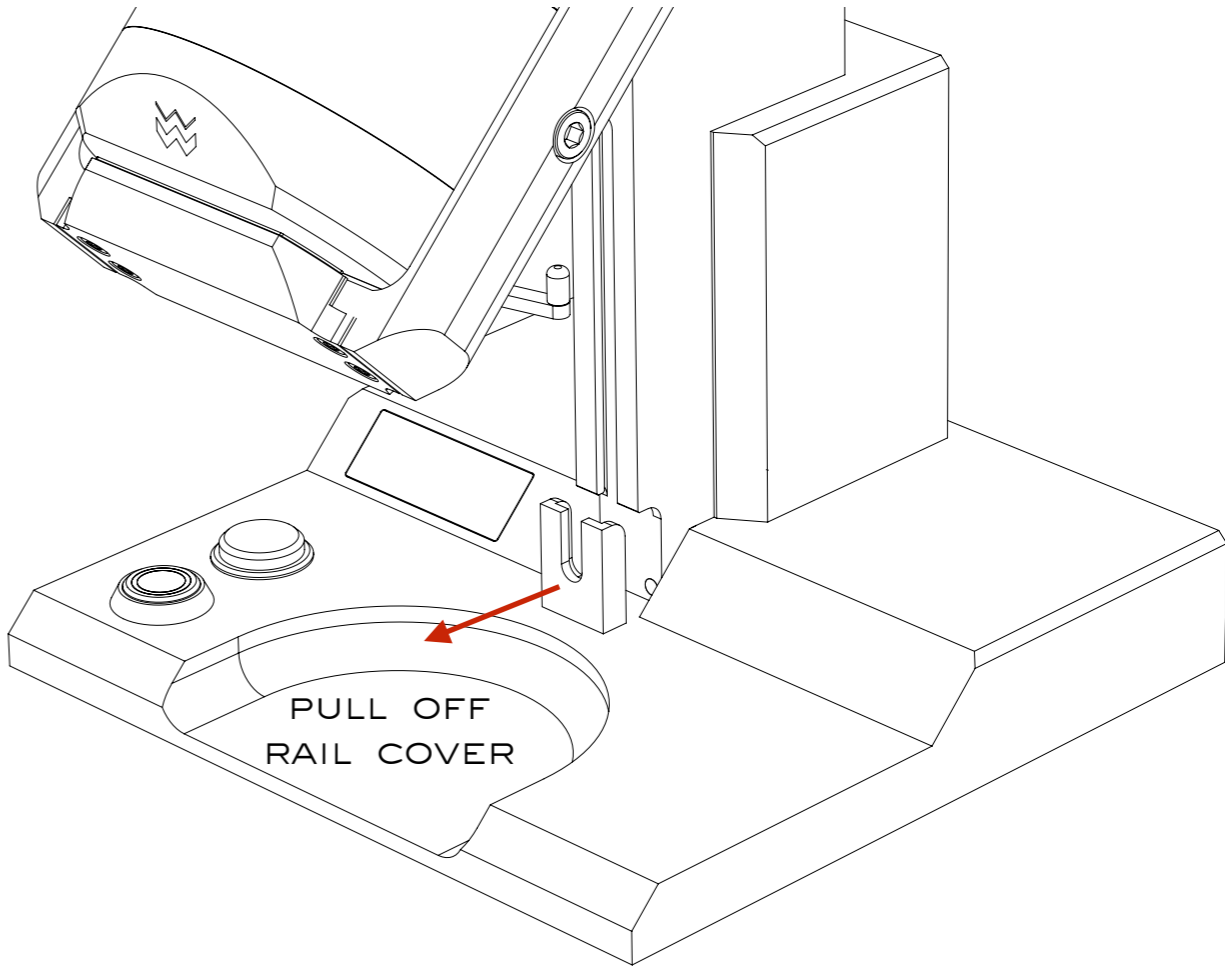
1 - Grinder Placement. Find a flat, dry counter space with access to a power outlet. The EG-1 is made to be usable in 90v ~ 240v regions without the need for a separate transformer. It uses a C13 style cable (like as a computer) that can be purchased locally as needed. A US-style 3 prong cable is included in box.

2 - Remove from box. Using both hands, carefully pull the EG-1 straight out of the packaging. Use caution - it is heavy.

3 - Attach the Bean Dish. This attaches as shown so that the stainless steel dowel pins align the part and the magnet holds them together.



4 - Mount the Shaker Wood Platen Rail. The PF Cover is removed (as shown). We recommend starting with just the wood platen to accommodate the Blind Shaker. Video regarding usage of the rails and the Blind Shaker can be found on our Youtube Channel.



5 - Plug in unit. Use the included power cord. You may need an adapter or another C13 style cable for your country, but a transformer should not be needed as it works anywhere with a 90v-240v AC supply.

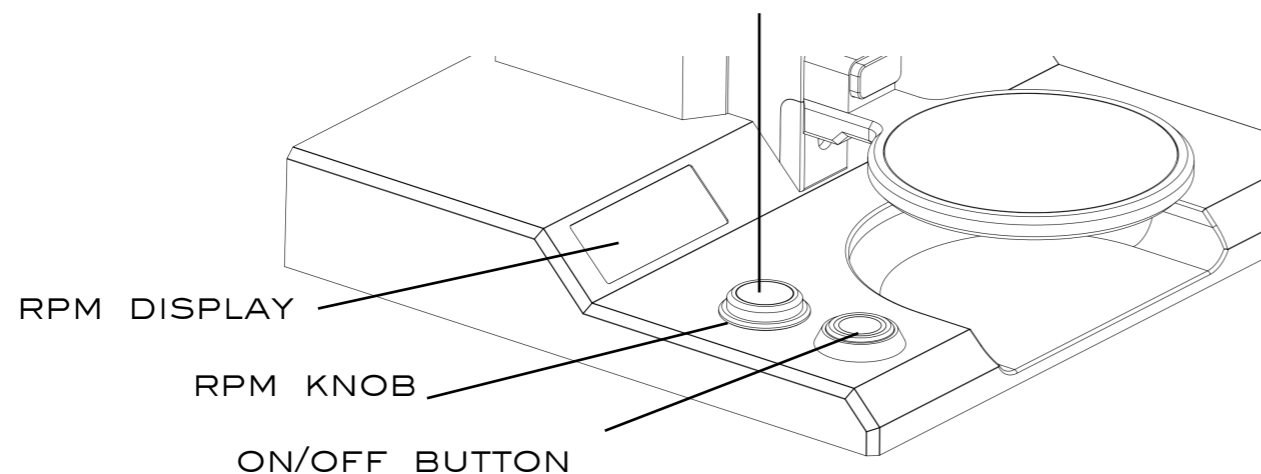
6 - Power on mains. This is the switch on the back of the unit next to where the cord plugs in. The display should read "0"

7 - Adjust the RPM level. Turn the black knob counterclockwise to reduce to the 500-700RPM range (a good starting point). Note that the RPMs will display for just a second so they can be pre-set without running the grinder.

8 - Purge button

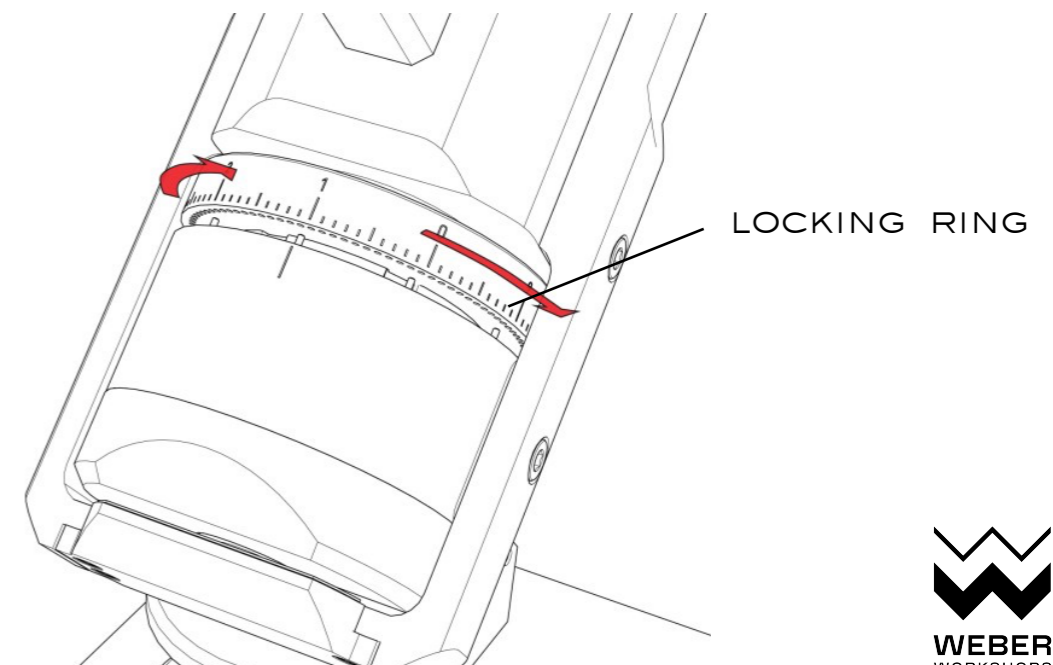
Pushing while grinder is stopped will momentarily reverse-spin the burrs before briefly spinning them at MAX. This can dislodge foreign objects or un-roasted beans that may have jammed the grinder, and purge the last granules of leftover coffee. Pushing while grinding gives a temporary MAX burst.

PURGE BUTTON
AT THE CENTER OF RPM KNOB



9 - Using the On/Off Button. When the blades are spinning, the button will illuminate and the button will remain depressed. Be sure not to leave the grinder ON/Spinning for excessive periods of time. The mains power in the back only needs to be shut down when you wish to turn the LEDs off. The EG-1 will enter a sleep mode in 60 seconds and the LEDs will dim until the On/Off button is pressed again, when it will awaken instantaneously to start grinding.

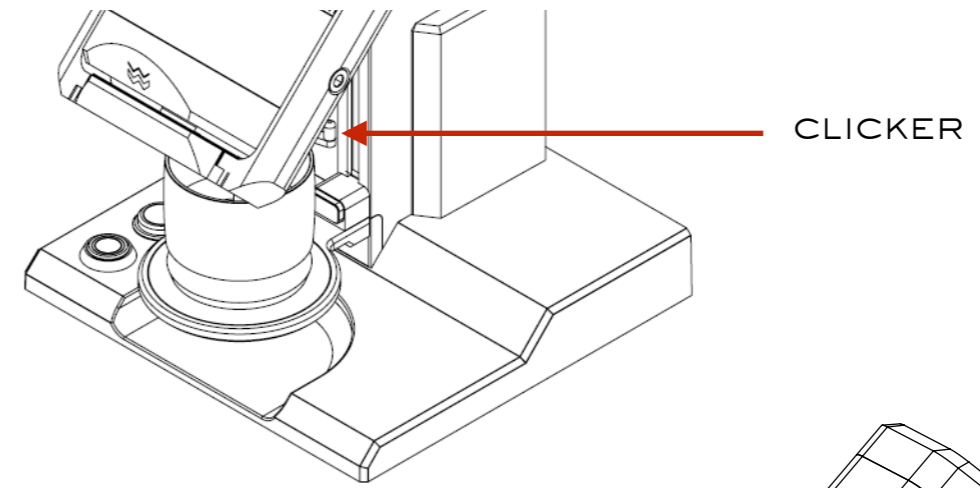
10 - Adjust the Grind. Test grind a small amount of coffee to verify the initial setting. We usually ship with the grinder close to an espresso setting, but it will need to be adjusted for your brewing style and particular coffee. Adjustments coarser and finer are done by lifting up the locking ring and turning. Larger numbers mean larger particles, and each tick adjusts by 5 microns. There is no absolute zero. There may be some small remnants of beans in the grinder during shipping, as we test grind ~200g of coffee with each unit before shipping. While we do clean, small amounts may remain.



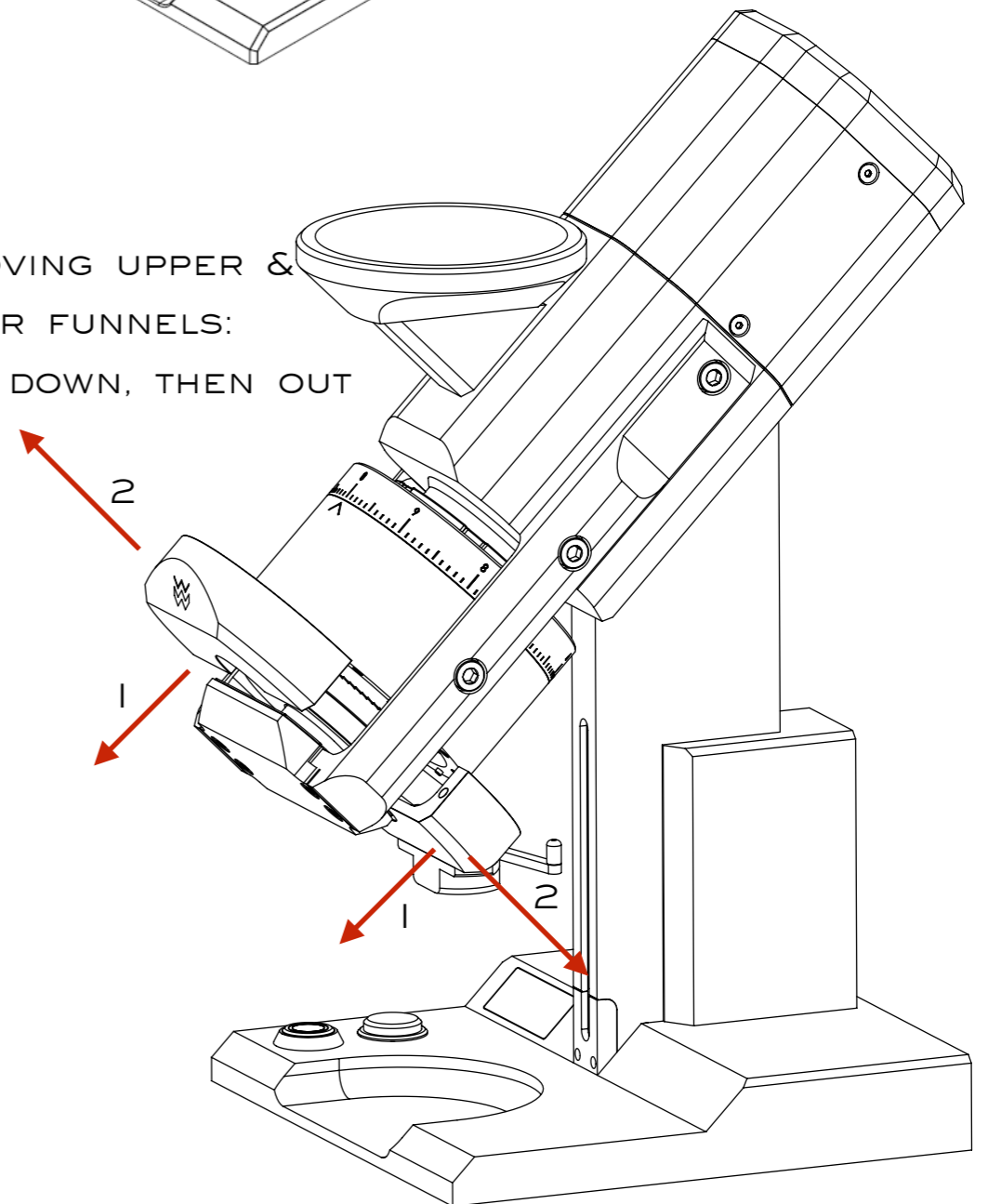
11 - Grinding Coffee. When you are dialed into your grind size, you can dump your coffee dose into the Bean Dish. You may use either a "Hot Start" where the grinder is on/spinning before the beans are introduced, or a "Cold Start" where the beans are added before turning the grinder on. We typically recommend using a Hot Start when operating the EG-1. When the dose is finished grinding (around ~10s for a 20g dose), you can purge any residual ground coffee in the spout by using the "clicker" located behind the bean funnels.







12 - Cleaning the Grinder. The EG-1 was designed to be extremely quick and easy to clean. This makes it a daily process with no tools required. Start by ensuring that the grinder is powered down at mains and the on/off button is not depressed. Remove both the Upper and Lower funnels to have access to the grind chamber. Pull down to disengage the funnel covers from the pins and magnets, then pull up/down to remove them from the main body unit and set them aside. Use a small brush to clean any coffee residue from the surfaces in the grind chamber. A wipe with a damp towel is also OK, but never put any of the EG-1 parts into the dishwasher as this will ruin them. Videos can be seen on our Youtube channel (youtube.com/weberworkshops)

13 - Sleep & Power Off. The grinder is programmed to go into sleep mode after 60 seconds of inactivity. The LED display will dim. It can be woken up instantaneously by pressing the on/off button. We recommend powering down at mains overnight for cafes, or during any prolonged period of non use in the home.



REMOVING UPPER &
LOWER FUNNELS:
PULL DOWN, THEN OUT



-  The EG-1 Grinder is for professional use and should only be used by trained /qualified personnel. Minors or small children should not be allowed to operate or play with the machine.
-  Misuse of the grinder or use other than intended may result in serious injury or death.
-  Before servicing, inspecting, or cleaning the grinder, unplug from mains electricity.
-  Before operating the grinder for the first time, remove the Upper and Lower burr funnels to ensure the grind chamber is empty and free of foreign objects.
-  Do NOT operate the grinder without the Upper and Lower Funnels in place.
-  Do NOT at any time place fingers or foreign objects inside the Exit Spout.

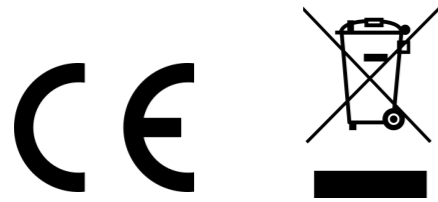
PRODUCT NAME: EG-1 COFFEE GRINDER

MODEL NUMBER: EG-1 v3

RATED VOLTAGE: 90-240V

FREQUENCY: 50/60Hz

POWER: 385-315W



C E R T I F I C A T E

of Conformity
Low Voltage Directive 2014/35/EU

Registration No.: AN 50448719 0001

Report No.: 50299556 001

Holder:
Strategic Exits/Weber Workshops
1072 Oxen Rd Incline Village
NV 89451
USA

Product:
Coffee mill
EG-1 Electric Grinder (Coffee Grinder)

Identification:
EG-1 V2

This certificate of conformity is based on an evaluation of a sample of the above mentioned product. Technical Report and documentation are at the Licence Holder's disposal. This is to certify that the tested sample is in conformity with Annex I of Council Directive 2014/35/EU, referred to as the Low Voltage Directive. This certificate does not imply assessment of the series-production of the product and does not permit the use of a TÜV Rheinland mark of conformity. The holder of the certificate is authorized to use this certificate in connection with the EC declaration of conformity according to Annex IV of the Directive.



Certification Body

Dipl.-Ing. M. Kröger

Date 07.10.2019

TÜV Rheinland LGA Products GmbH - Tillystraße 2 - 90431 Nürnberg

CE The CE marking may be used if all relevant and effective EC Directives are complied with. **CE**



Ref. Certif. No.

JPTUV-101052

IEC SYSTEM FOR MUTUAL RECOGNITION OF TEST CERTIFICATES FOR ELECTRICAL EQUIPMENT (IECEE) CB SCHEME

CB TEST CERTIFICATE

Product	EG-1 Electric Grinder (Coffee Grinder)
Name and address of the applicant	Strategic Exits/Weber Workshops 1072 Oxen Rd Incline Village NV 89451, USA
Name and address of the manufacturer	Strategic Exits/Weber Workshops 1072 Oxen Rd Incline Village NV 89451, USA
Name and address of the factory	Acala corp No.193, Xiangyang Rd., Nangang Dist., Taipei City 11551 Taiwan
Ratings and principal characteristics	100-240V; 50/60Hz; 385-315W
Trademark (if any)	N/A
Customer's Testing Facility (CTF) Stage used	N/A
Model / Type Ref.	EG-1 V2
Additional information (if necessary may also be reported on page 2)	
A sample of the product was tested and found to be in conformity with	IEC 60335-2-14:2016 IEC 60335-1:2010+A1+A2 See Test Report for National Differences
As shown in the Test Report Ref. No. which forms part of this Certificate	50278539 001

This CB Test Certificate is issued by the National Certification Body



TÜV Rheinland Japan Ltd.
Global Technology Assessment Center
4-25-2 Kita-Yamata, Tsuzuki-ku
Yokohama 224-0021 Japan
Phone + 81 45 914-3888
Fax + 81 45 914-3354
Mail: info@jpn.tuv.com
Web: www.tuv.com

Date: 05.10.2019

Signature:

Dipl.-Ing. F. Stelzel

