

Olson Kundig®

Door Hardware – Pull



Tom Kundig Collection

B. Hide

Designed by: Tom Kundig

Welded steel tube door pull, 2" OD x 24"h, with a vegetable-tanned leather grip, stitched by hand. Steel shown in standard blackened & waxed finish, with Natural undyed leather and black nylon stitching.

Pictured here with standard (Residential) mounting. Also available with the Commercial mounting system, which includes a full-height welded mounting plate, thru-bolted to a push plate on the opposite side of the door.



Leather Samples: Natural and Black

Please note that the Natural leather is undyed, and will darken from UV light, absorb hand oils & moisture, and develop a rich patina over time. In the product photos, a comparison image shows new and slightly aged Natural leather side by side. For a less "live" finish, the leather is also available in Black.



Optional finish - powder coated (satin black, gloss red, or gloss white)

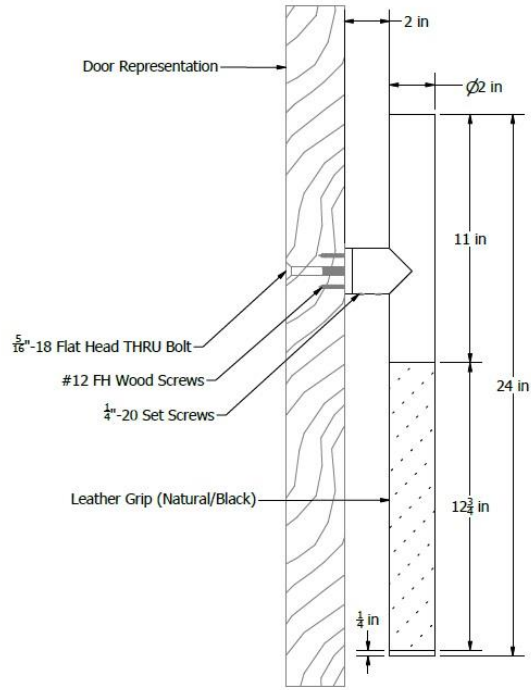
Also available in stainless steel with a satin bead-blasted finish, or in bronze with an oil-rubbed finish.

Our products are fabricated and finished by hand; variations in size, shape, and color are a natural result of this process. Tooling marks and surface scratches are part of the character of the finished pieces. Most products are sealed with wax, which over time is not impervious to moisture and corrosion. The standard wax finish allows the steel to age naturally and develop its own character. For a more durable exterior finish, we recommend the optional powder coating. Steel hardware should not be installed with dissimilar metals. Steel hardware installed outside or in areas exposed to moisture will eventually rust. Periodic maintenance will be required. For treatment of minor rust, we recommend rubbing the affected area with steel wool and applying carnauba paste wax. Our products are not recommended for commercial use.

Residential Single Sided

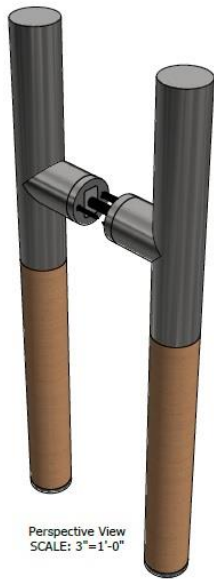


Perspective View
SCALE: 3"=1'-0"

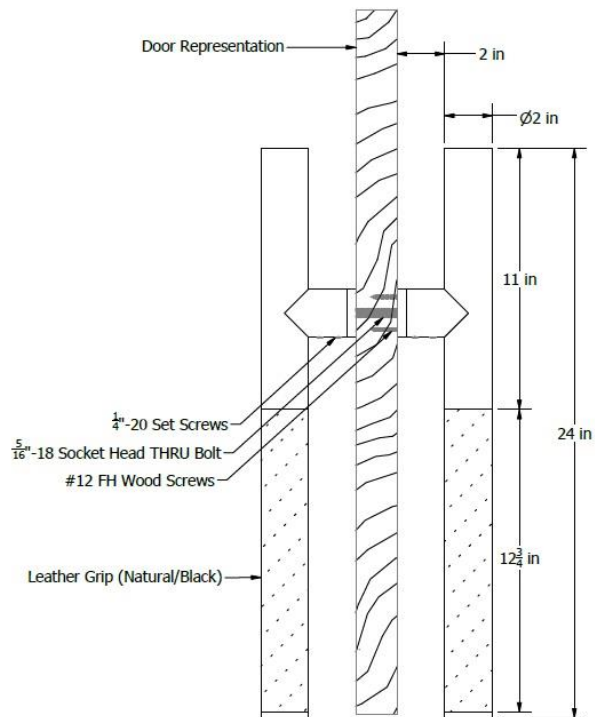


Elevation View
SCALE: 3"=1'-0"

Residential Back-to-Back

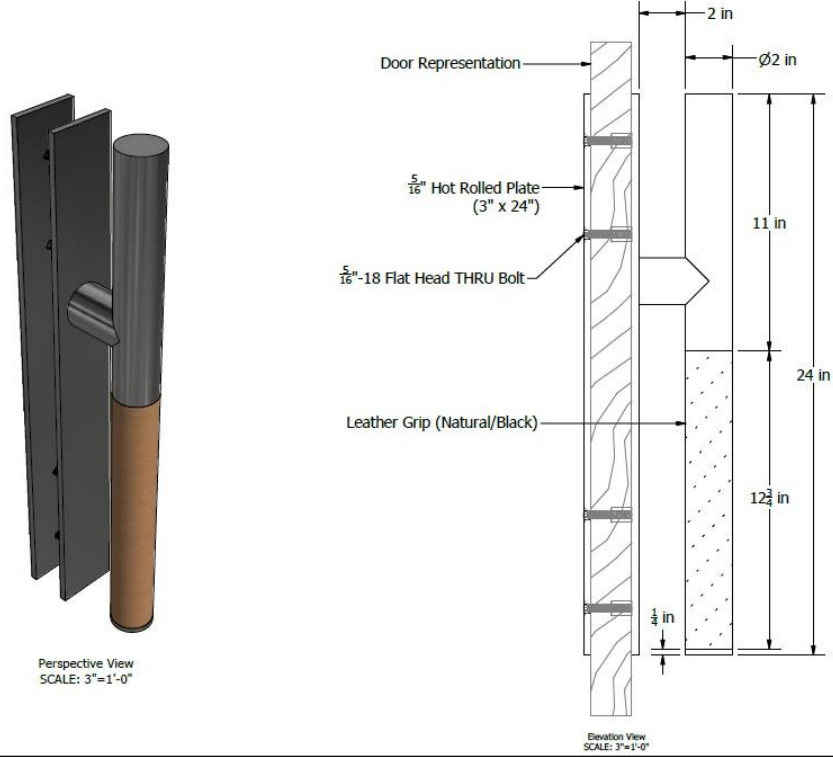


Perspective View
SCALE: 3"=1'-0"



Elevation View
SCALE: 3"=1'-0"

Commercial Single Sided



Commercial Back-to-Back

