

Olson Kundig®

Door Hardware – Pull



Tom Kundig Collection

B. Clear

Designed by: Tom Kundig

Door pull fabricated from blackened steel pipe, with hand-poured cast resin grip, 2" OD x 24"h. Resin shown in standard "Root Beer" color.

Pictured here with standard (Residential) mounting. Also available with a Commercial mounting system, which includes a full-height welded mounting plate, thru-bolted to a push plate on the opposite side of the door.



Optional finish - powder coated (satin black, gloss red, or gloss white)

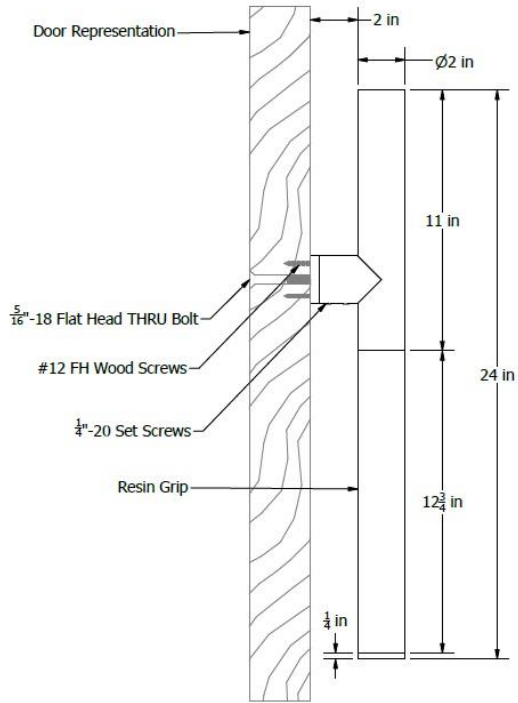
Also available in stainless steel with a satin bead-blasted finish, or in bronze with an oil-rubbed finish.

Our products are fabricated and finished by hand; variations in size, shape, and color are a natural result of this process. Tooling marks and surface scratches are part of the character of the finished pieces. Most products are sealed with wax, which over time is not impervious to moisture and corrosion. The standard wax finish allows the steel to age naturally and develop its own character. For a more durable exterior finish, we recommend the optional powder coating. Steel hardware should not be installed with dissimilar metals. Steel hardware installed outside or in areas exposed to moisture will eventually rust. Periodic maintenance will be required. For treatment of minor rust, we recommend rubbing the affected area with steel wool and applying carnauba paste wax. Our products are not recommended for commercial use.

Residential Single Sided

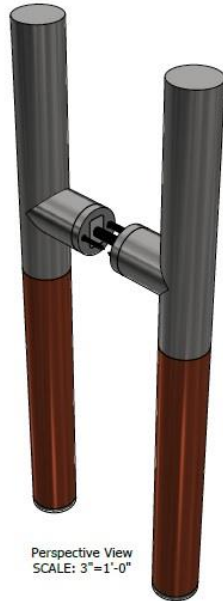


Perspective View
SCALE: 3"=1'-0"

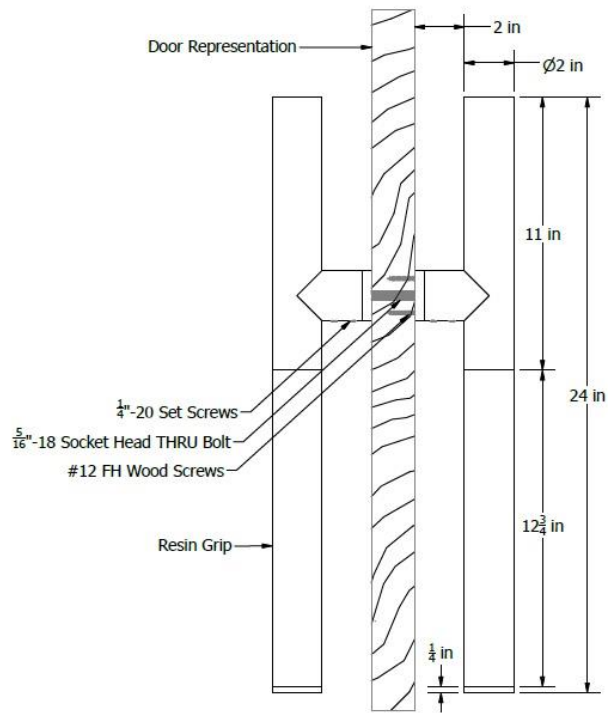


Elevation View
SCALE: 3"=1'-0"

Residential Back-to-Back



Perspective View
SCALE: 3"=1'-0"

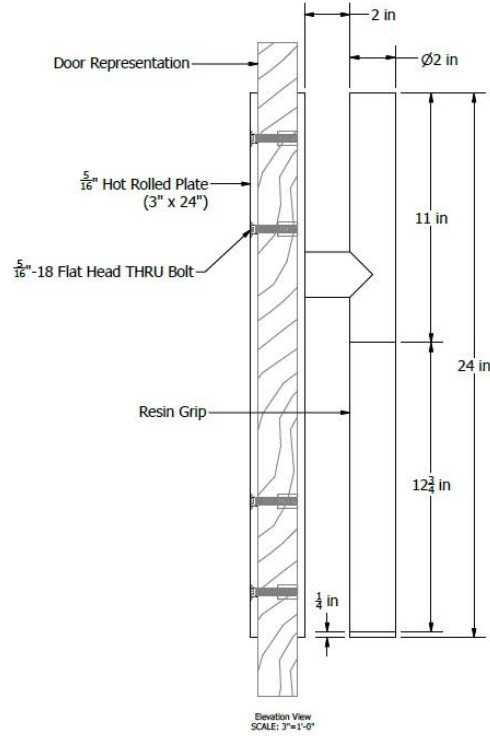


Elevation View
SCALE: 3"=1'-0"

Commercial Single Sided

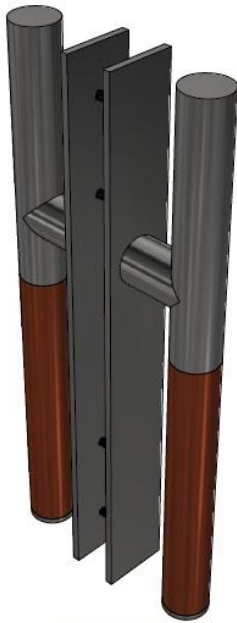


Perspective View
SCALE: 3"=1'-0"

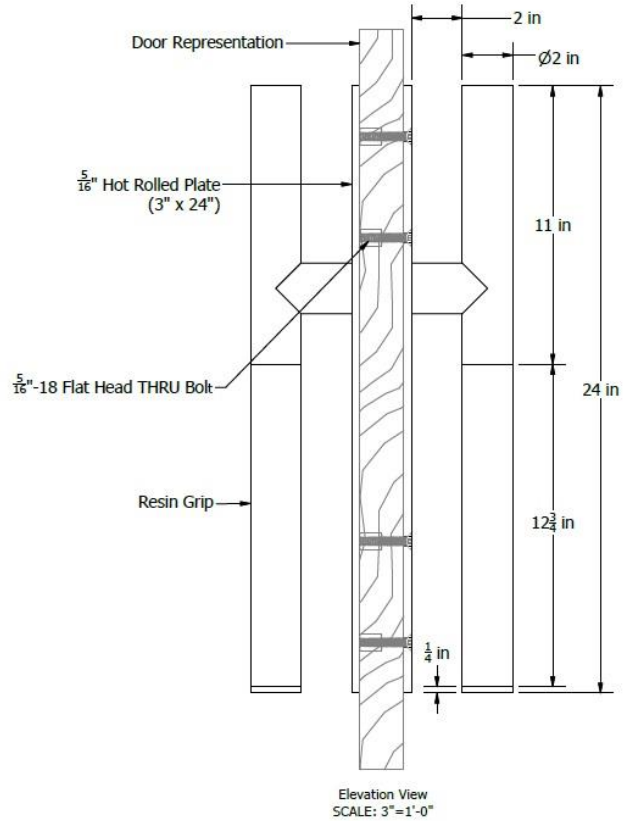


Elevation View
SCALE: 3"=1'-0"

Commercial Back-to-Back



Perspective View
SCALE: 3"=1'-0"



Elevation View
SCALE: 3"=1'-0"