

Docking Drawer[®]

Blade Series

IN-DRAWER OUTLET SPEC BOOK

2	Most Popular Blade Series Outlets
3	Project Planning
4	Outlet Uses
5	Outlet Anatomy
6	Outlet Dimensions
8	Outlet Orientation
9	Features

10	Specify by Drawer Type
	Shallow Drawers
	Tall Drawers
	Narrow Drawers
	Vertical Drawers
	Centered Blade Series Outlets
23	Project Planning Cards by Room
	Kitchens
	Bathrooms
	Closets
	Offices
	Bedrooms

35	Specify by Part Number
	Part Numbers - 15 amp
	Outlet Configuration Options - 15 amp

40	Additional Options
	Safety Interlock Box
	Deep Cabinet Outlets
	20 amp Outlets
49	Planning Resources & Downloads
	DXF, STEP and Solidworks Files
	Mounting Diagrams
	Electrical Planning Guide
57	Installation Resources & Downloads
	Installation Manuals
	Cutout Templates

Most Popular 15 amp Blade Series Outlets

[Download Tear Sheets to share project details with your team](#)



MOST POPULAR
for kitchens



Blade Duo 1514-232W

Most popular for kitchen drawers, bathroom vanities, and bedroom nightstands

15 amp

- 1514-232W
- 1514-232B
- 1514-232S

2 AC, 2 USB-C (PD) & 4 USB-A



Blade Duo 1514-266W

Ideal for bathroom vanities and those connecting more devices

15 amp

- 1514-266W
- 1514-266B
- 1514-266S

4 AC



Blade 1514-110W

Ideal for kitchen drawers and bedroom nightstands

15 amp

- 1514-110W
- 1514-110B
- 1514-110S

2 AC & 2 USB-A

MOST POPULAR
for vanities



Blade 1514-160W

Most popular for bathroom vanities

15 amp

- 1514-160W
- 1514-160B
- 1514-160S

2 AC

Project Planning for Blade Series Outlets

Docking Drawer Blade Series outlets can be installed at any point, whether you are undergoing a complete renovation or simply want to add an in-drawer outlet to an existing drawer. Although the installation process may look a little different depending on your situation. Here are some tips:

Plan at **any** time

Beginning of project

It's easiest to start planning before you begin your project as the electrician can rough in electrical where needed.

Middle of project

It's easy to install in the middle of your project when the countertop is off and the area behind the drawer box is still easily accessible.

End of project

It's still easy to install at the end of your project when the countertop is on. It will just be a tighter space to work in and you will have to remove the drawer boxes to access the back cabinet or furniture wall.

How to Get Started

Specifying a Docking Drawer into any type of project is simple. You can specify an outlet in 3 ways:

[By Drawer Type](#)

[By Room](#)

[By Part Number](#)

Install at **any** place

At the Factory

The cabinet manufacturer can install at the factory.

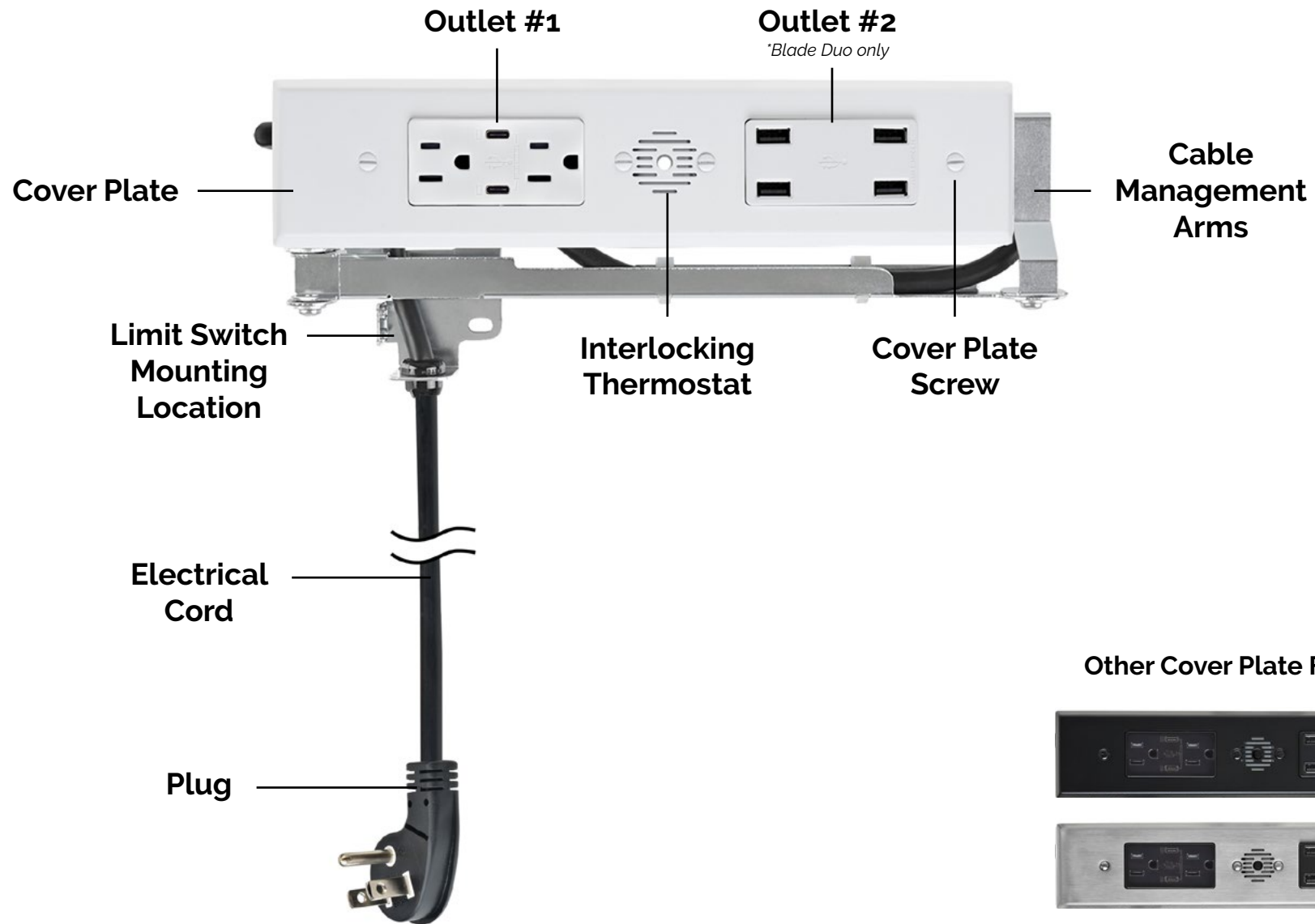
In the Shop

The cabinet maker or electrician can install in the shop.

On Location

The tradesperson or homeowner can install on location.

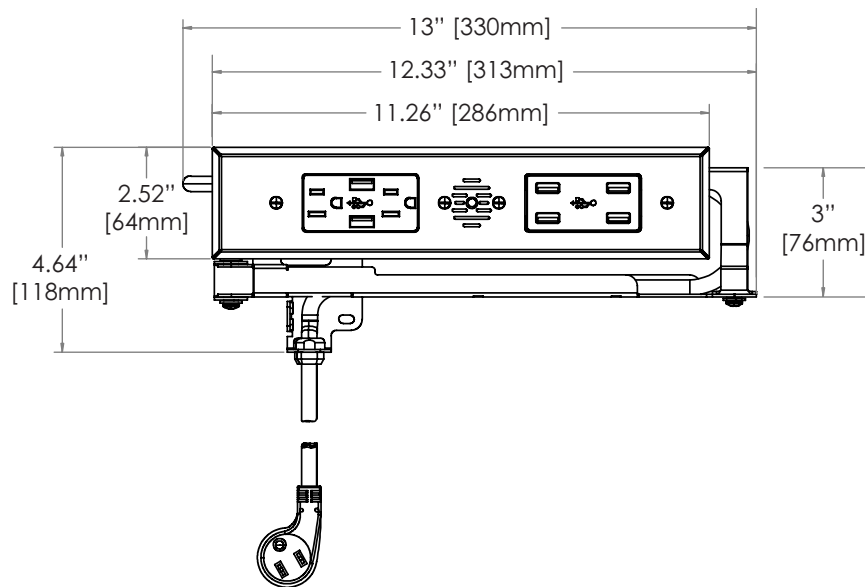
Outlet Anatomy for Blade Series Outlets



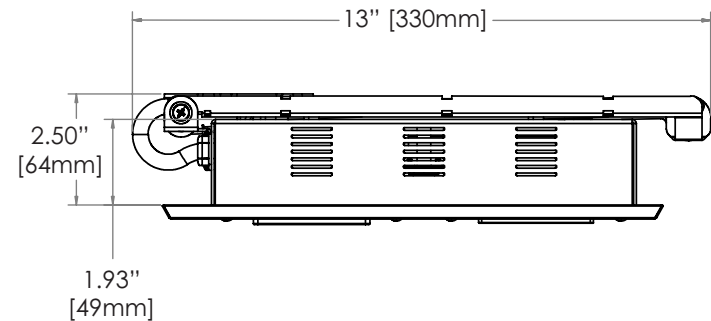
Outlet Dimensions of a Blade Duo In Drawer Outlet

Outlet Width	13" (330mm)
Outlet Height	4.64" (118mm)
Outlet Depth	2.5" (64mm)
Receptacle Box Depth	1.93" (49mm)
Cover Plate Height	2.52" (64mm)
Cover Plate Width	11.26" (286mm)
Cable Management Arms Height	3" (76mm)

Front View



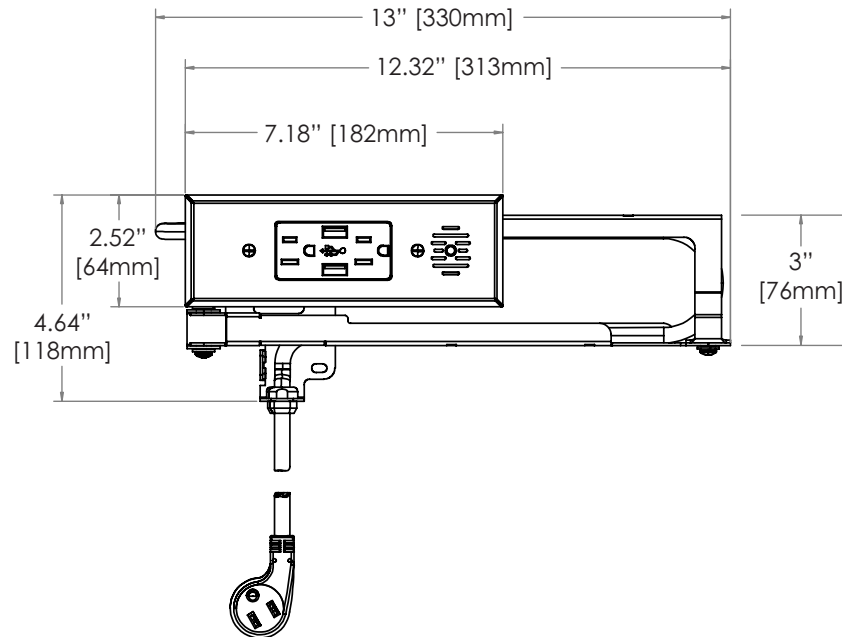
Top View



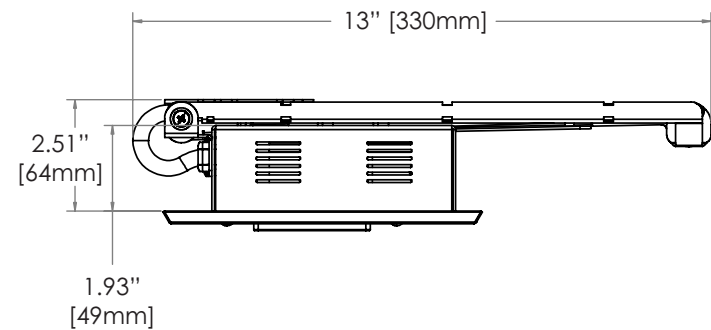
Outlet Dimensions of a Blade In Drawer Outlet

Outlet Width	13" (330mm)
Outlet Height	4.64" (118mm)
Outlet Depth	2.5" (64mm)
Receptacle Box Depth	1.93" (49mm)
Cover Plate Height	2.52" (64mm)
Cover Plate Width	7.18" (182mm)
Cable Management Arms Height	3" (76mm)

Front View



Top View



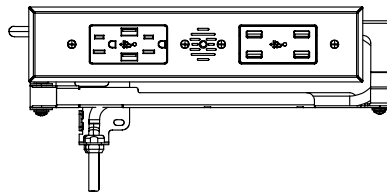
Outlet Orientation

Docking Drawer Blade Series outlets can be positioned in a variety of orientations to fit any cabinet and every project.

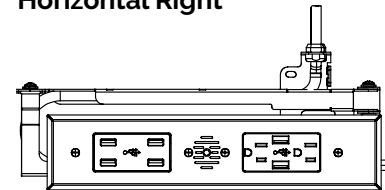
Horizontal Mounting

Blade and Blade Duo outlets can be mounted horizontally and facing to the left or right.

Horizontal Left



Horizontal Right



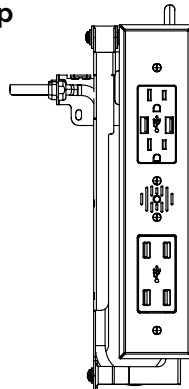
Pro Tip

Blade Series outlets can be rotated 360 degrees, facing left, right, up or down, referring to the cord exit point.
Ex: Horizontal left - the receptacle box is horizontal and the cord exits on the left side of the outlet.

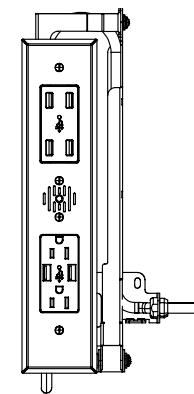
Vertical Mounting

Blade and Blade Duo outlets can be mounted vertically and facing to up or down.

Vertical Up



Vertical Down



Features of Blade Series Outlets


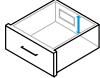

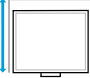
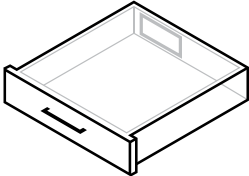
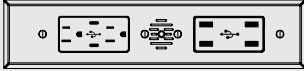

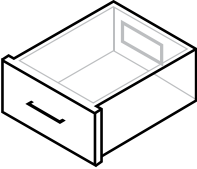
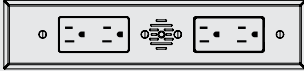

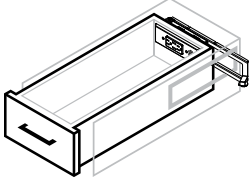
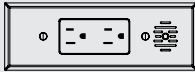
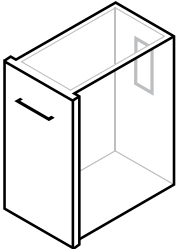

Electrical Certification	<u>ETL Listed</u> for use in the US and Canada. Outlets 1514-222 & 1514-120 (are certified for use in Canada). All other Blade Series outlets are ETL Listed for use in Canada when installed with an Interlock Box* that de-energizes the outlet when the drawer starts to close <i>*(sold separately)</i>
Interlocking Safety Features	The Interlock Thermostat de-energizes the outlet when the temperature exceeds 120°F (49°C). The Safety Interlock Box* uses a limit switch to de-energize the outlet when the drawer starts to close. <i>*(sold separately)</i>
Electrical Connection	4 1/2' cord with a NEMA 5-15P plug (All 15 amp Blade Series outlets)
Wire Gauge	14 AWG wire cable (All 15 amp Blade Series outlets)
Cable Protection	Ultra flexible cable jacket and cable strain reliefs prevent tension and wear
Outlet Features	Leviton outlets featuring a variety of configurations including AC, USB-A and USB-C and can connect between 2-8 devices. All AC outlets are tamper resistant.
Product Testing	Assemblies are cycle tested over 500,000 times to ensure a long life of safe operation
Cover Plate Finishes	White, Black and Stainless Steel
Warranty	2 Years
Country of Origin	Made in Mexico
Service	If needed, the outlet can be easily separated from the drawer box for maintenance or service

Specify by Drawer Type

- 12** Shallow Drawer
Tall Drawer
- 13** Narrow Drawer
Installation Example: Vanity Drawer
Left or Right Mounting
- 17** Vertical Drawer
Installation Examples: Pull Out Organizers,
Short Vertical Drawers
- 20** Installation Example: Centered Blade
Series Outlets

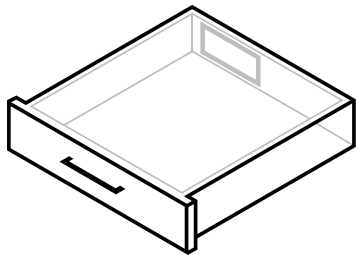


Specify by Drawer Type

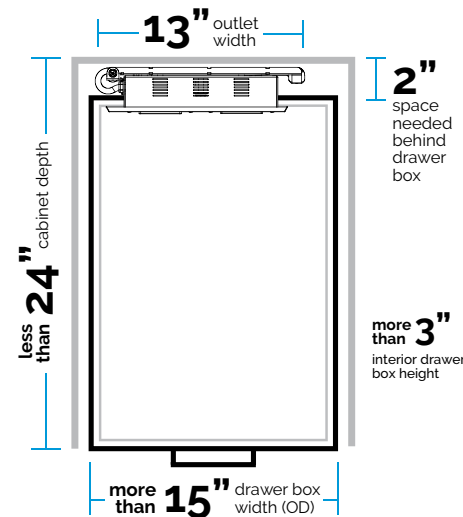
If your drawer type is the following...	 Minimum Drawer Box Width (Outer Dimension)	 Minimum Interior Drawer Box Height	 Minimum Space Behind Drawer Box	 Maximum Base Cabinet Depth	Specify this:
 <p>Shallow Drawer <i>Most often found in kitchens, closets, offices, side tables, entryway tables, and retail projects.</i></p>	<p>15" or more</p>	<p>3" or more</p>	<p>2" or more</p>	<p>24" or less</p>	 <p>Blade Duo 1514-232</p>  <p>Blade 1514-110</p>
 <p>Tall Drawer <i>Most often found in bathroom vanities and with above-glide mounting.</i></p>	<p>13" or more</p>	<p>4" or more</p>	<p>2" or more</p>	<p>24" or less</p>	 <p>Blade Duo 1514-266</p>  <p>Blade 1514-160</p>
 <p>Narrow Drawer <i>Most often found in bathroom vanities and with over-glide mounting. Requires a channel to be cut in the cabinet sidewall.</i></p>	<p>9" or more</p>	<p>4" or more</p>	<p>2" or more</p>	<p>24" or less</p>	 <p>Blade 1514-160</p>
 <p>Vertical Drawer <i>Most often found in bathroom vanities and kitchen pull outs.</i></p>	<p>8" or more</p>	<p>13" or more</p>	<p>2" or more</p>	<p>24" or less</p>	 <p>Blade 1514-160</p>

Shallow & Tall Drawer Types Cabinet Specifications

Shallow Drawer



Outlet Width	13"
Minimum Drawer Box Width (Outer Dimension)	15" or more
Minimum Interior Drawer Box Height	3" or more
Minimum Space Behind Drawer Box	2" or more
Maximum Base Cabinet Depth	24" or less



Pro Tip

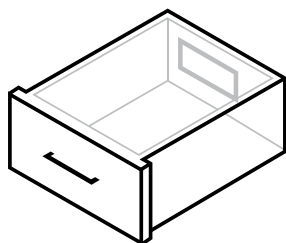
Most often found in kitchens, closets, offices, side tables, entryway tables, and retail projects.

Download Mounting Diagrams →

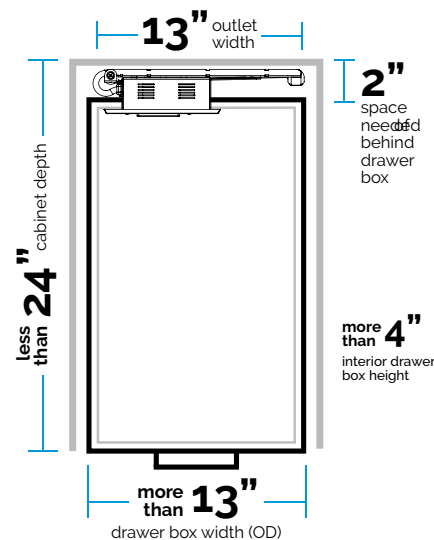


Most Popular Outlet:
1514-232

Tall Drawer



Outlet Width	13"
Minimum Drawer Box Width (Outer Dimension)	13" or more
Minimum Interior Drawer Box Height	4" or more
Minimum Space Behind Drawer Box	2" or more
Maximum Base Cabinet Depth	24" or less



Pro Tip

Most often found in bathroom vanities when the outlet is mounted above the drawer glides.

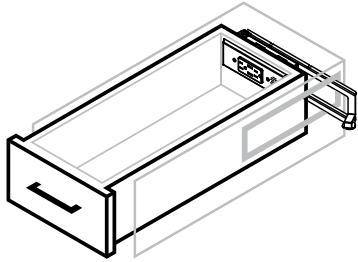
Download Mounting Diagrams →



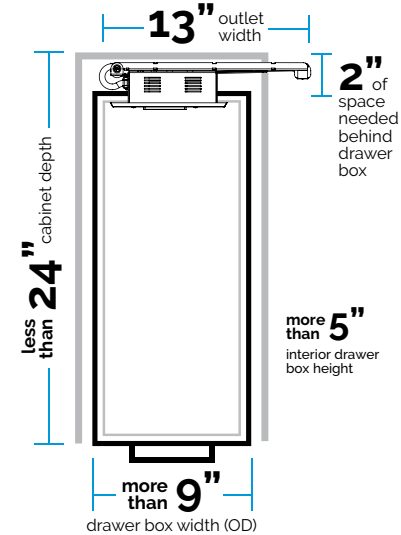
Most Popular Outlet:
1514-266 & 1514-160

Narrow Drawer Type Cabinet Specifications

Narrow Drawer Right Side Channel



Outlet Width	13"
Minimum Drawer Box Width (Outer Dimension)	9" or more
Minimum Interior Drawer Box Height	5" or more
Minimum Space Behind Drawer Box	2" or more
Maximum Base Cabinet Depth	24" or less



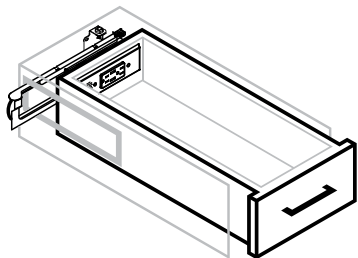
Pro Tip

Most often found in bathroom vanities and mounted over glides. Requires a channel to be cut in the cabinet sidewall.

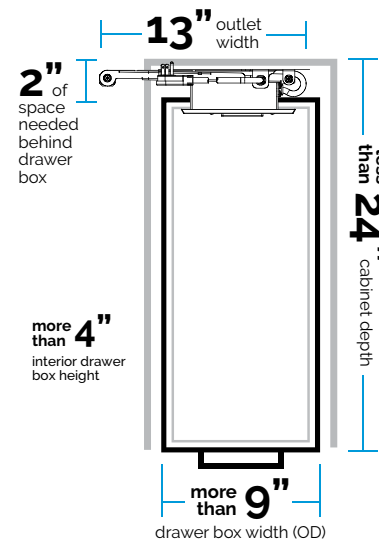
[Download Mounting Diagrams →](#)



Narrow Drawer Left Side Channel



Outlet Width	13"
Minimum Drawer Box Width (Outer Dimension)	9" or more
Minimum Interior Drawer Box Height	4" or more
Minimum Space Behind Drawer Box	2" or more
Maximum Base Cabinet Depth	24" or less

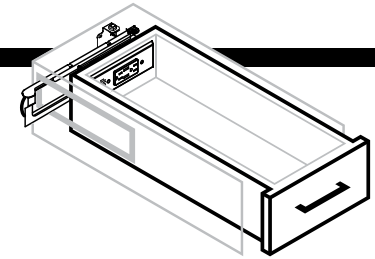


[Download Mounting Diagrams →](#)



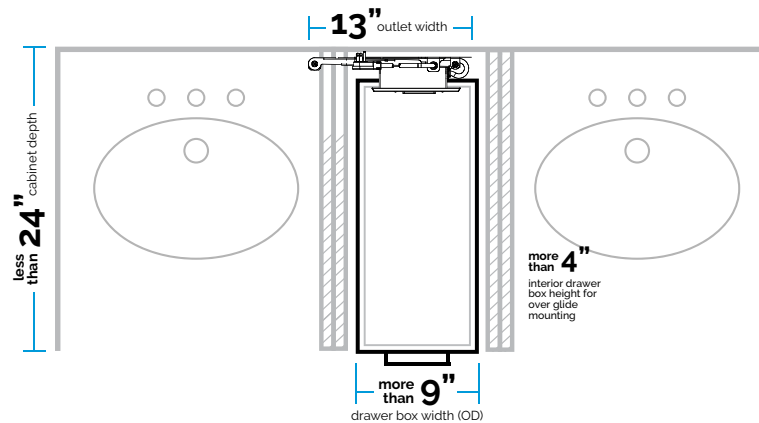
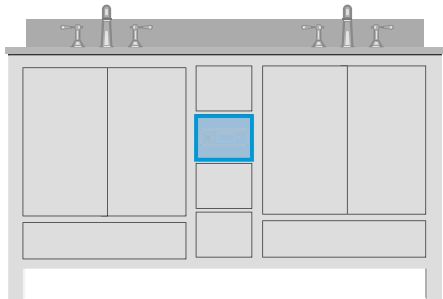
Most Popular Outlet:
1514-160

Narrow Drawer Type Installation Example: Vanity Drawer



Docking Drawer Blade Series outlets can be specified into vanity drawers as narrow as 9" by creating a channel in the cabinet sidewall to allow space for the cable management arms to move freely.

Double Sink Vanity

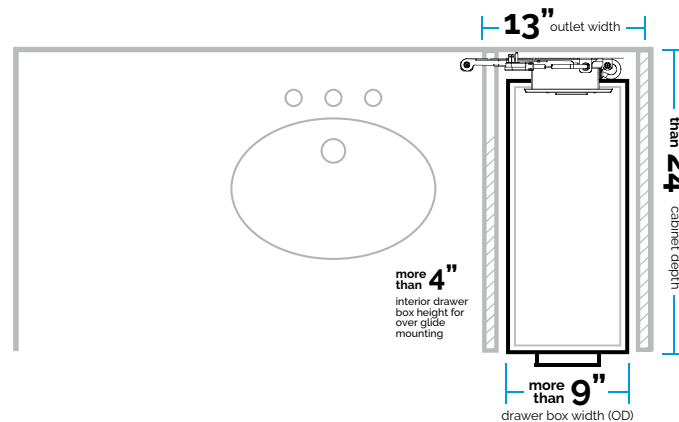
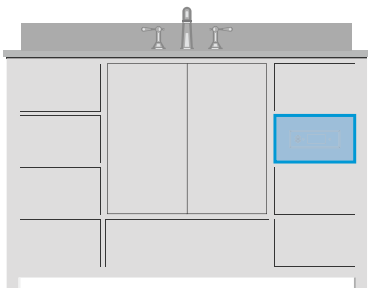


Pro Tip

Make sure the narrow drawer is tall enough to hold hot tools.

Studies show the top drawer is used for everyday items like a toothbrush, comb, etc. while the second drawer is the most popular drawer for hot tools, such as hair dryers and curling irons.

Single Sink Vanity

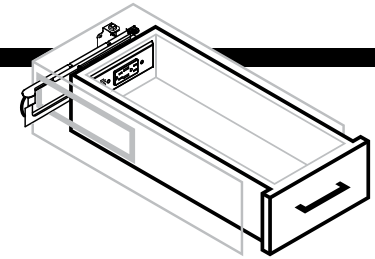


Need GFCI?

Plug a Blade Series outlet into a GFCI wall receptacle and pass on the GFCI properties to the in-drawer outlet.

Most Popular Outlet:
1514-160

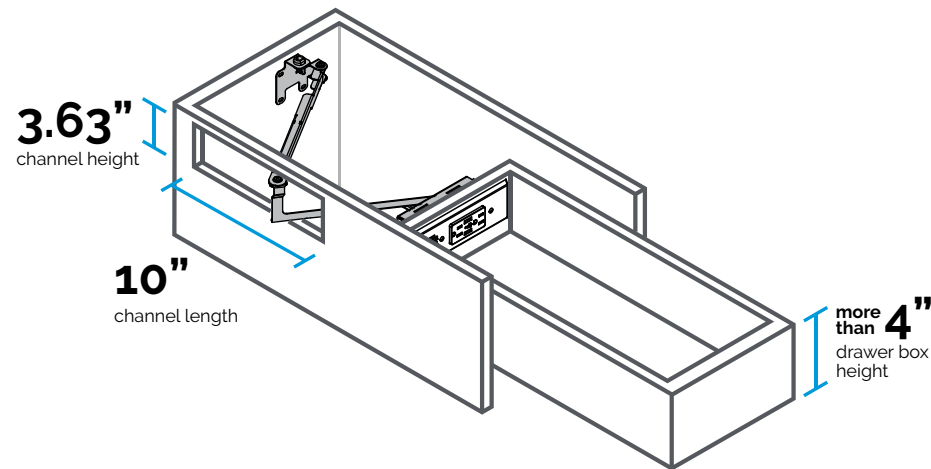
Narrow Drawer Type Installation Examples: Left Side Channel



Docking Drawer Blade Series outlets can be left mounted into vanity drawers as narrow as 9" by flipping the outlet and creating a channel in the left cabinet sidewall to allow space for the cable management arms to move freely.

Left Side Channel

The outlet may be flipped so that the channel is on the left side of the cabinet wall.



Pro Tip

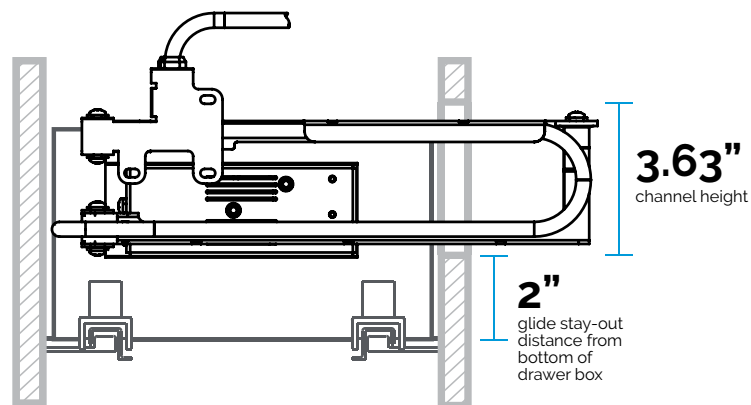
Make sure the outlet is mounted high enough in the drawer box to ensure the cable management arms clear the drawer glides.

If the drawer is over 9" wide, the channel length can be less than 10" in length.

Docking Drawer Blade is ideal for Narrow Drawer installations. The Blade cover plate is 7.18" wide and it fits into a 9" wide (OD) drawer box. Docking Drawer Blade Duo cover plate is 11.26" wide and fits best into 13" wide tall drawer boxes or 15" wide shallow drawer boxes.

Rear View

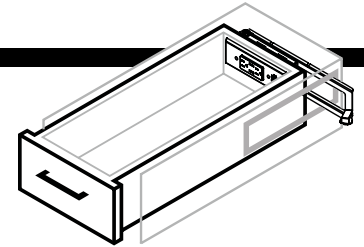
Ensure the cable management guides are mounted high enough to clear the drawer glides.



Most Popular Outlet:
1514-160

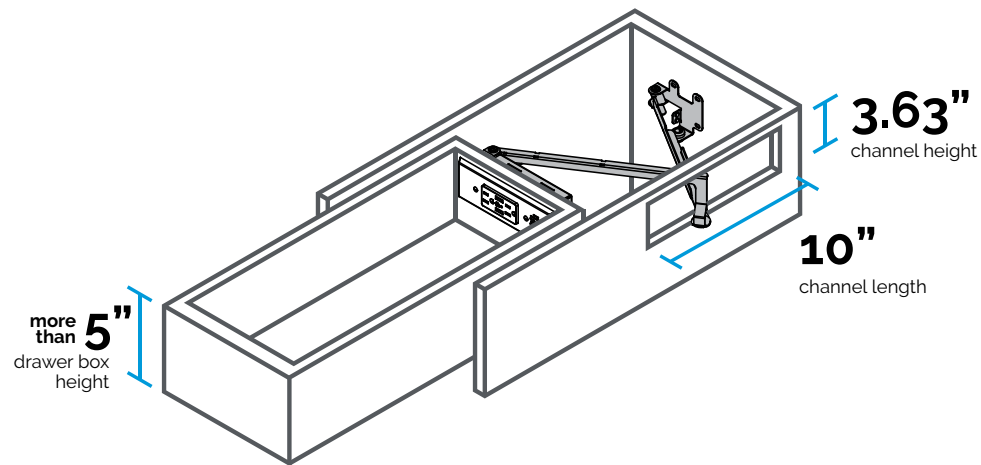
Narrow Drawer Type Installation Example: Right Side Channel

Docking Drawer Blade Series outlets can be right mounted into vanity drawers as narrow as 9" by creating a channel on the right cabinet sidewall to allow space for the cable management arms to move freely.



Right Side Channel

The channel dimensions for the cable management arms vary depending on your cabinet layout. In this example, the channel space needed is 3.63" x 10".



Pro Tip

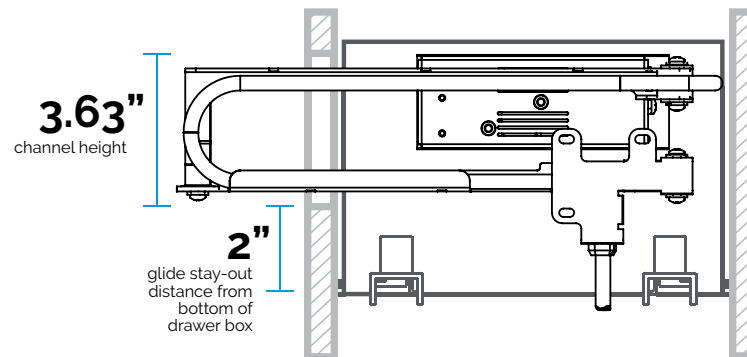
Make sure the outlet is mounted high enough in the drawer box to ensure the cable management arms clear the drawer glides.

If the drawer is over 9" wide, the channel length can be less than 10" in length.

Docking Drawer Blade outlets are ideal for Narrow Drawer installations. The Blade cover plate is 7.18" wide and it fits into a 9" wide (OD) drawer box. Docking Drawer Blade Duo cover plate is 11.26" wide and fits best into 13" wide tall drawer boxes or 15" wide shallow drawer boxes.

Rear View

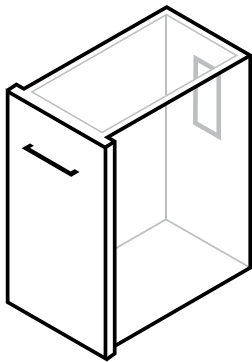
Ensure the cable management guides are mounted high enough to clear the drawer glides.



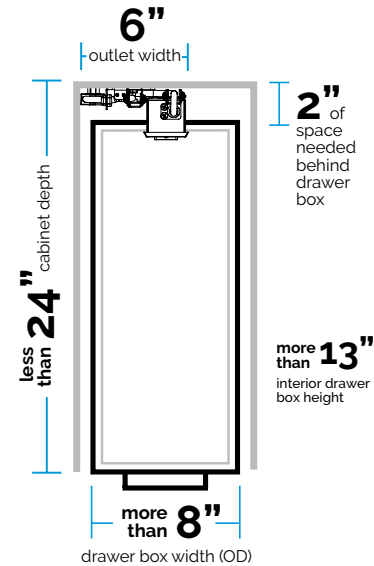
Most Popular Outlet:
1514-160

Vertical Drawer Type Cabinet Specifications

Vertical Drawers



Outlet Width	6"
Minimum Drawer Box Width (Outer Dimension)	8" or more
Minimum Interior Drawer Box Height	13" or more
Minimum Space Behind Drawer Box	2" or more
Maximum Base Cabinet Depth	24" or less



Pro Tip

Most often found in bathroom vanities and kitchen pull outs.

If the vertical drawer is less than 13" tall, a channel can be cut into the bottom of the cabinet to utilize the toe kick space. Refer to [page 19](#) for additional details.

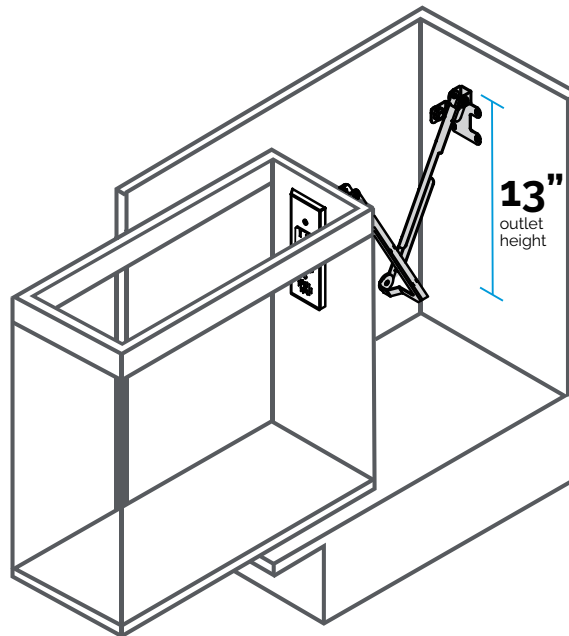
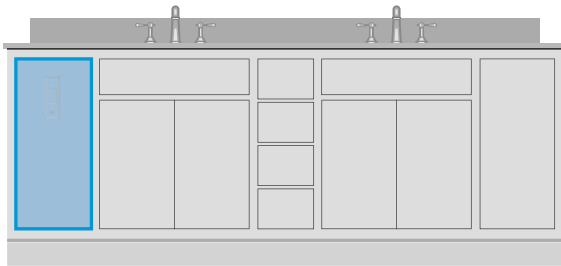
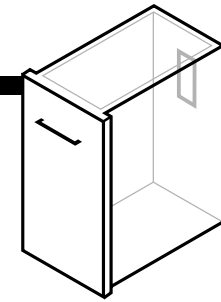
Download Mounting Diagrams →



Most Popular Outlet:
1514-160

Vertical Drawer Type Installation Example: Pull Out Organizer

Docking Drawer Blade Series outlets can be specified into tall vanity pull out organizers to create a dedicated space to stow and power hair dryers and other accessories while keeping vanity countertops clear of cord and device clutter.



Pro Tip

The ideal location for in-cabinet power supply is the lower left or right corner of the cabinet. This ensures that the cord does not interfere with the in-drawer outlet or the slides.

Docking Drawer Canisters are perfect for creating functional spaces while safely storing hot tools. [Shop Now](#)

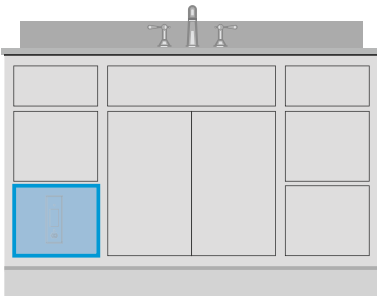
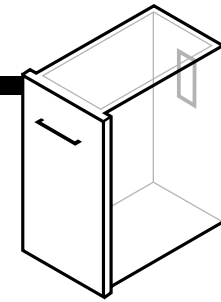
Using a Rev-A-Shelf Grooming Organizer [like this?](#) Refer to our How To Guide [here](#).

Need mounting diagrams? Download resources at dockingdrawer.com/downloads

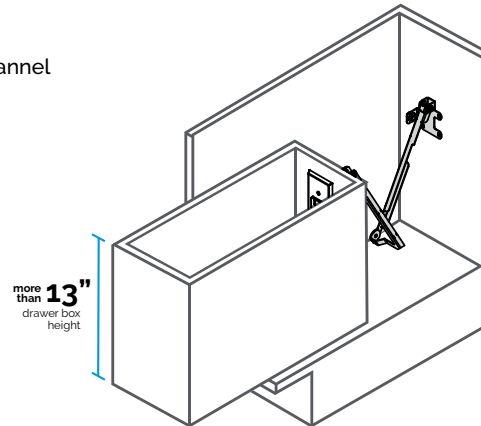
Most Popular Outlet:
1514-160

Vertical Drawer Type Installation Example: Short Vertical Drawer

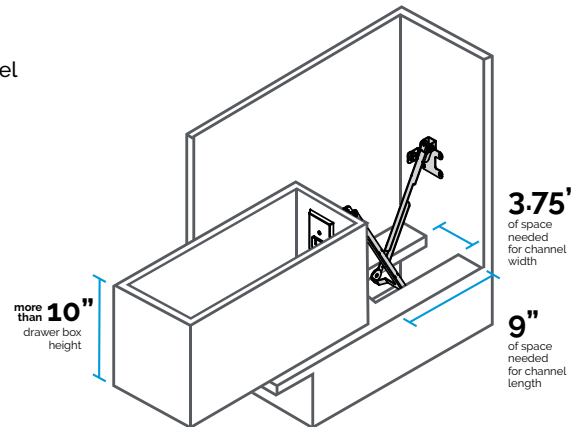
Docking Drawer Blade Series outlets can be specified into bathroom drawers as short as 10" by creating a channel on the bottom of the cabinet to allow space for the cable management arms.



Option 1
without channel



Option 2
with channel



Pro Tip

The ideal location for in-cabinet power supply is the lower left or right corner of the cabinet. This ensures that the cord does not interfere with the in-drawer outlet or the slides.

To install the in-drawer outlet into a shallow vertical drawer, utilize the empty space in the toe kick as seen in Option 2 to make room for the cable management arms to function.

Download Mounting Diagrams →



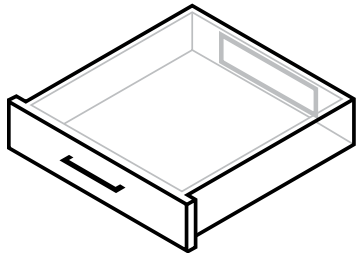
Most Popular Outlet:
1514-160

Shallow Drawer Type Installation Example: Centered Blade Series Outlets

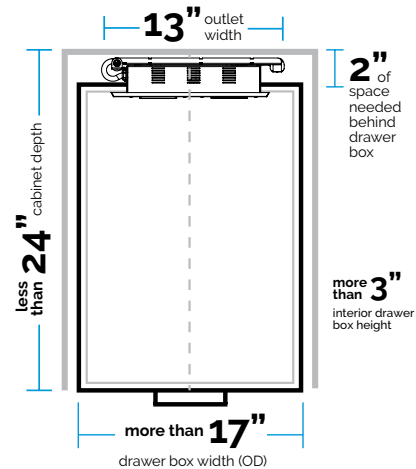
Docking Drawer Blade Series outlets can be installed so that the cover plate is centered in the drawer box. This requires the following minimum drawer box widths.

Shallow Drawer

Blade Duo



Outlet Width	13"
Minimum Drawer Box Width (Outer Dimension)	17" or more
Minimum Interior Drawer Box Height	3" or more
Minimum Space Behind Drawer Box	2" or more
Maximum Base Cabinet Depth	24" or less

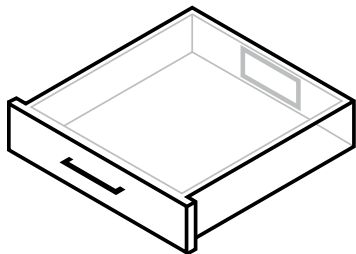


Pro Tip

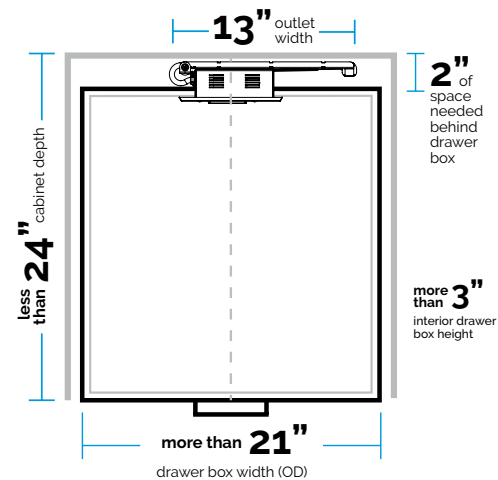
For more installation examples, visit dockingdrawer.com/project-cards

Shallow Drawer

Blade



Outlet Width	13"
Minimum Drawer Box Width (Outer Dimension)	21" or more
Minimum Interior Drawer Box Height	3" or more
Minimum Space Behind Drawer Box	2" or more
Maximum Base Cabinet Depth	24" or less

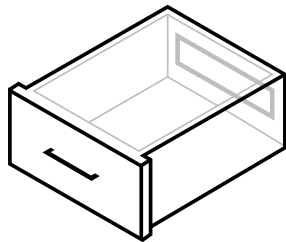


Tall Drawer Type Installation Example: Centered Blade Series Outlets

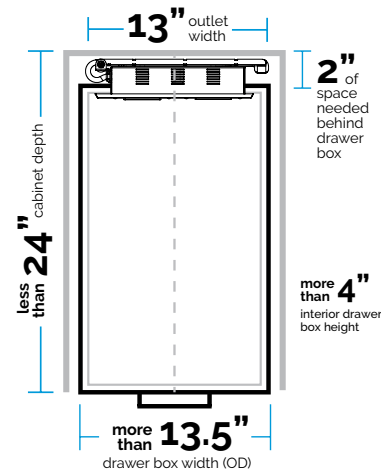
Docking Drawer Blade Series outlets can be installed so that the cover plate is centered in the drawer box. This requires the following minimum drawer box widths.

Tall Drawer

Blade Duo



Outlet Width	13"
Minimum Drawer Box Width (Outer Dimension)	13.5" or more
Minimum Interior Drawer Box Height	4" or more
Minimum Space Behind Drawer Box	2" or more
Maximum Base Cabinet Depth	24" or less

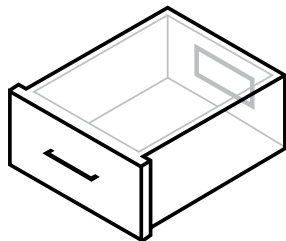


Pro Tip

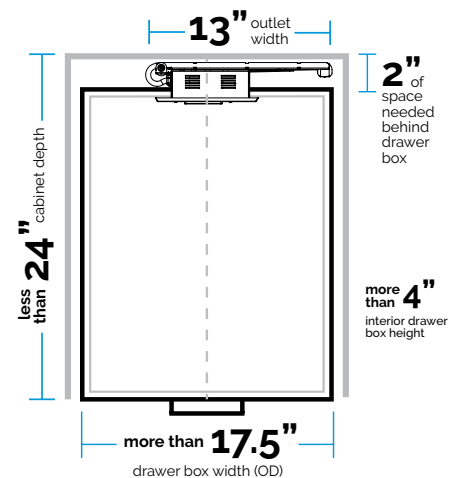
For more installation examples, visit dockingdrawer.com/project-cards

Tall Drawer

Blade



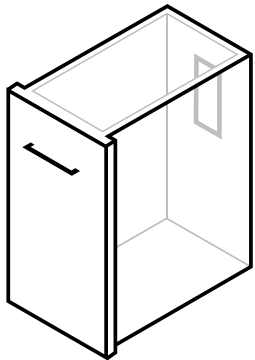
Outlet Width	13"
Minimum Drawer Box Width (Outer Dimension)	17.5" or more
Minimum Interior Drawer Box Height	4" or more
Minimum Space Behind Drawer Box	2" or more
Maximum Base Cabinet Depth	24" or less



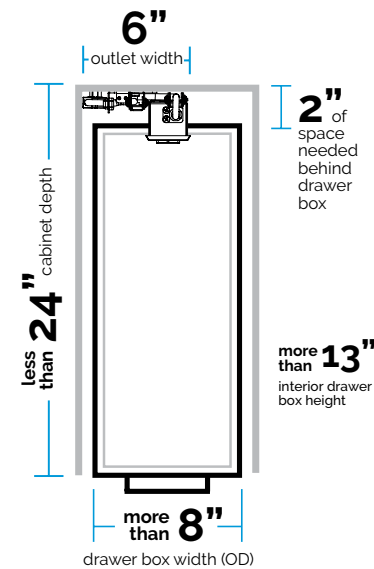
Vertical Drawer Type Installation Example: Centered Blade Series Outlets

Docking Drawer Blade Series outlets can be installed so that the cover plate is centered in the drawer box. This requires the following minimum drawer box widths.

Vertical Drawer Blade Duo & Blade



Outlet Width	6"
Minimum Drawer Box Width (Outer Dimension)	8" or more
Minimum Interior Drawer Box Height	13" or more
Minimum Space Behind Drawer Box	2" or more
Maximum Base Cabinet Depth	24" or less



Pro Tip

For more installation examples, visit dockingdrawer.com/project-cards

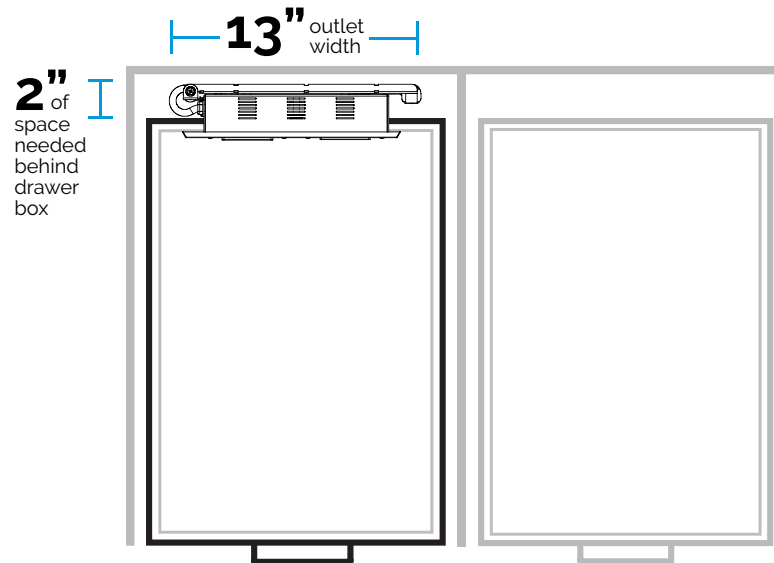
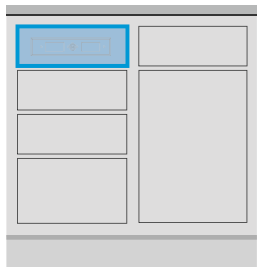
Project Planning Cards by Room

- 24 Kitchens
- 27 Bathrooms
- 32 Closets
- 33 Offices
- 34 Bedrooms

For more room applications, visit
dockingdrawer.com/project-cards

Kitchens Shallow Drawer Project Planning Card

Docking Drawer Blade Series outlets can be specified into the top, often shallow kitchen cabinet drawer to create a dedicated drawer charging station and keep tech devices and cord clutter off of kitchen countertops.



Pro Tip

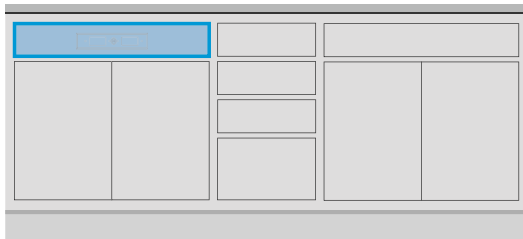
A Docking Drawer Blade Duo outlets can be center mounted in a 15" (OD) wide drawer box and a Docking Drawer Blade outlets can be center mounted in a 20" (OD) wide drawer box.

For more room applications, visit [dockingdrawer.com/project-cards](https://www.dockingdrawer.com/project-cards)

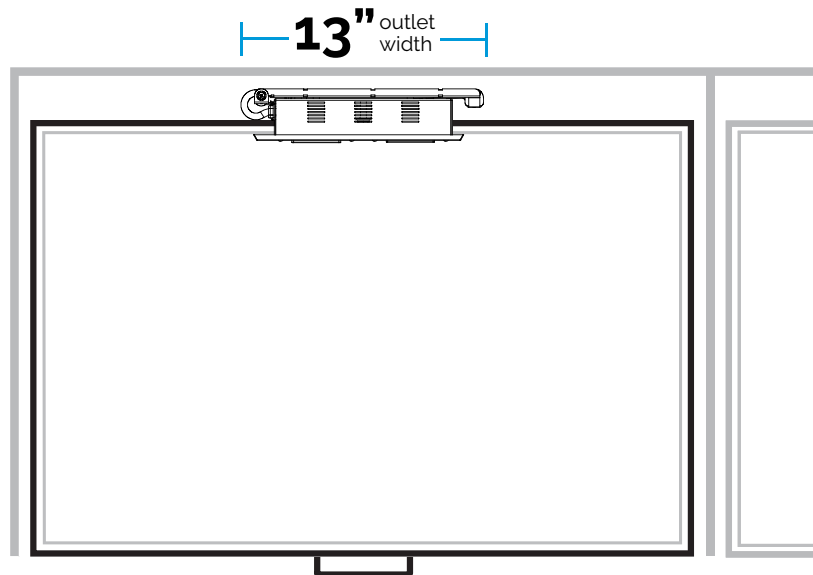
Most Popular Outlet:
1514-232

Kitchens Island Drawer Project Planning Card

Docking Drawer Blade Series outlets can be specified into wide kitchen island drawers to create a dedicated drawer charging station and keep tech devices and cord clutter off of kitchen island surfaces.



2" of space needed behind drawer box



Pro Tip

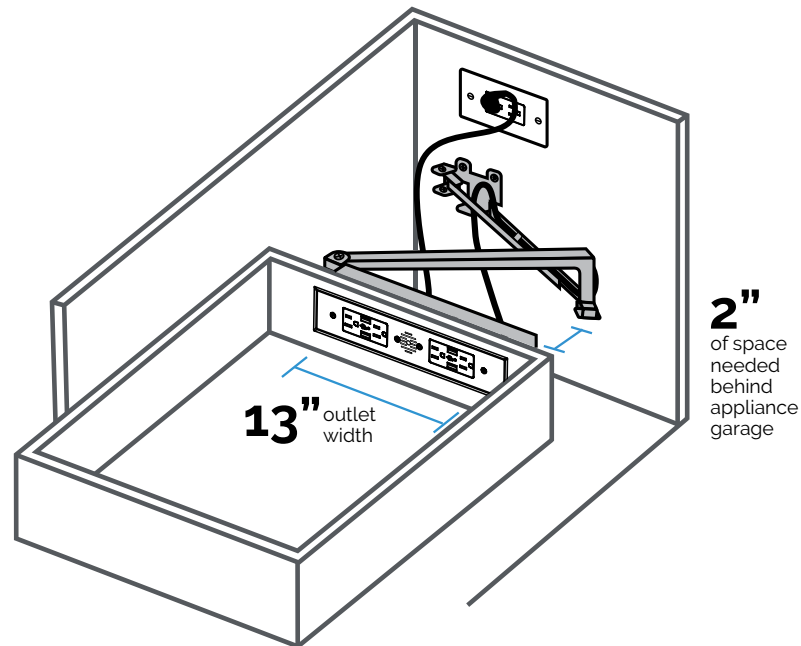
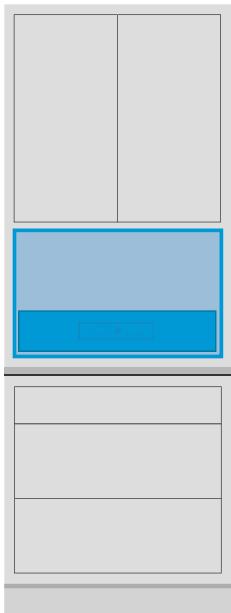
Large kitchen islands maximize storage by utilizing 24 - 27" deep drawer boxes. To add a Blade Series outlet into this type of drawer, see [Docking Drawer Blade Series Deep Cabinet outlets](#).

For more room applications, visit dockingdrawer.com/project-cards

Most Popular Outlet:
1514-232

Kitchens Appliance Garage Project Planning Card

Docking Drawer Blade Series outlets can be specified into kitchen cabinet pull outs to create an appliance garage, commonly used to stow and power small kitchen appliances.



Pro Tip

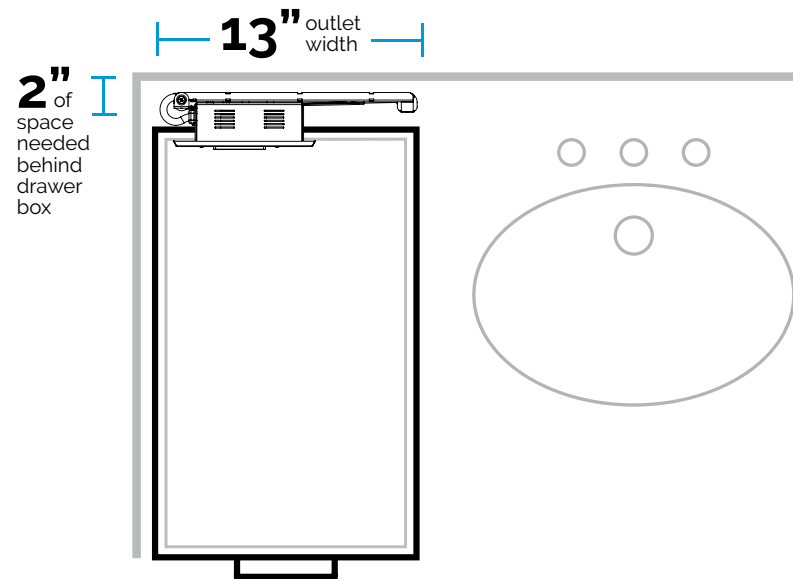
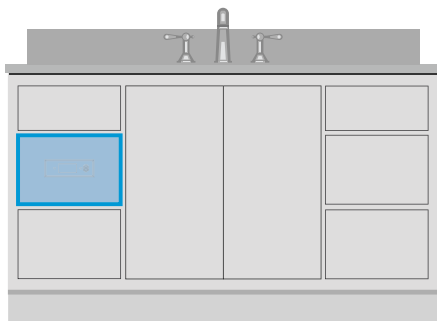
All Docking Drawer Blade Series outlets can be configured with a Safety Interlock Box (available from Docking Drawer and sold separately) which de-energizes the outlet when the drawer starts to close. The Safety Interlock Box is commonly used in Canada and in appliance garage applications.

For more room applications, visit dockingdrawer.com/project-cards

Most Popular Outlet:
1514-266

Bathrooms Tall Vanity Drawer Project Planning Card

Docking Drawer Blade Series outlets can be specified into tall vanity drawers to stow and power hair dryers and other styling tools while keeping vanity surfaces clear of cord and device clutter.



Pro Tip

Studies show that the top drawer in a vanity is used to store items that are used every day such as toothbrushes, tooth paste, cotton swabs, dental floss, brushes and combs.

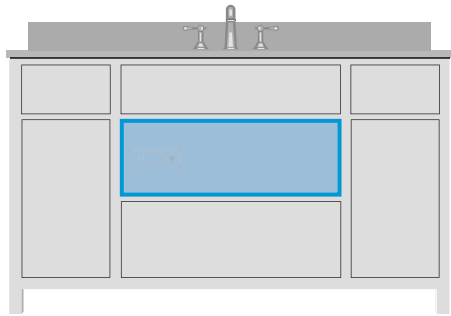
The second drawer in a vanity is used to store items such as hair dryers, curling irons, hair products, etc. that are only used occasionally. This is the most popular location for in-drawer outlets.

For more installation examples, visit dockingdrawer.com/project-cards

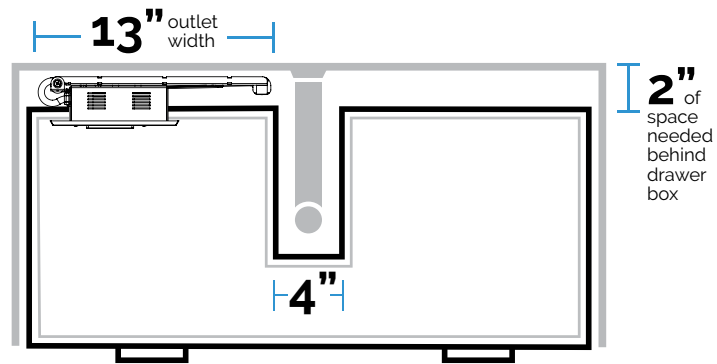
Most Popular Outlet:
1514-160

Bathrooms U-Shaped Drawer Project Planning Card

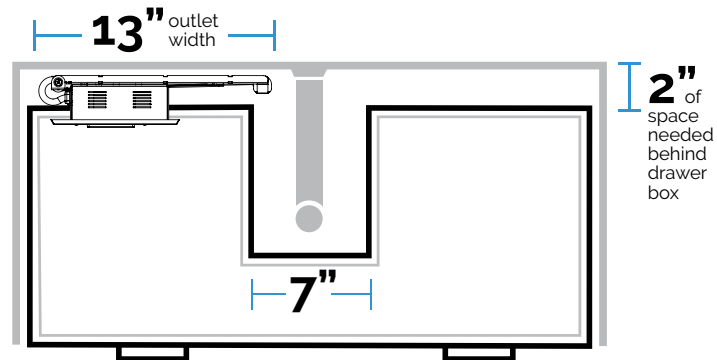
Docking Drawer Blade Series outlets can be specified into U-shaped drawers to help utilize awkward drawer space created by sink plumbing fixtures.



Option 1
without channel



Option 2
with channel



Pro Tip

The back of the U-Shaped drawer box can be less than 13" assuming the cable management arms do not interfere with any plumbing fixtures, as seen in Option 2.

For more room applications, visit dockingdrawer.com/project-cards

Most Popular Outlet:
1514-160

Bathrooms Style Drawer Canisters Specs

Create the perfect styling station with Style Drawer Canisters, featuring a variety of sizes to fit any blow dryer, hair straightener or curling iron. These hot tool holders are made to fit vanity organizers and safely store hot appliances even while they are in use.



Pro Tip

Download DXF, STEP and Solidworks files to import into your project planning software at dockingdrawer.com/downloads.



Bathrooms Style Drawer Canister Specs

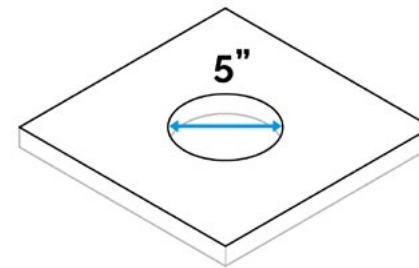
Create the perfect styling station with Style Drawer Canisters, featuring a variety of sizes to fit any blow dryer, hair straightener or curling iron. These hot tool holders are made to fit vanity organizers and safely store hot appliances even while they are in use.

5" Canister

0024-00005



Canister Width	5"
Cut Out Size	5"
Canister Height (to bottom of lip)	6.5"
Canister Height (to middle of lip)	6.63"
Open or Closed bottom?	Closed bottom



Pro Tip

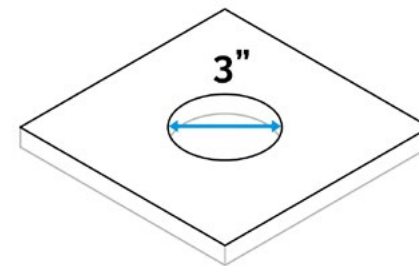
Download DXF, STEP and Solidworks files to import into your project planning software at dockingdrawer.com/downloads.

3" Canister

0024-00010S



Canister Width	3"
Cut Out Size	3"
Canister Height (to bottom of lip)	2.85"
Canister Height (to middle of lip)	3"
Open or Closed bottom?	Open bottom



Pro Tip

Download DXF, STEP and Solidworks files to import into your project planning software at dockingdrawer.com/downloads.

Bathrooms Style Drawer Canister Specs

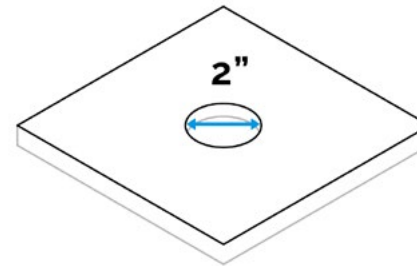
Create the perfect styling station with Style Drawer Canisters, featuring a variety of sizes to fit any blow dryer, hair straightener or curling iron. These hot tool holders are made to fit vanity organizers and safely store hot appliances even while they are in use.

2" Canister

0024-00020S



Canister Width	2"
Cut Out Size	2"
Canister Height (to bottom of lip)	4.83"
Canister Height (to middle of lip)	4.97"
Open or Closed bottom?	Open bottom



Pro Tip

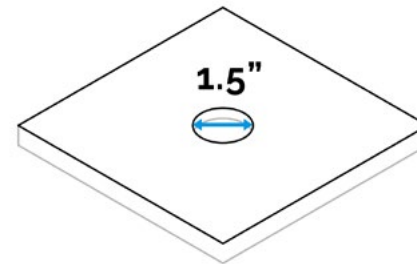
Download DXF, STEP and Solidworks files to import into your project planning software at dockingdrawer.com/downloads.

1.5" Canister

0024-00030S



Canister Width	1.5"
Cut Out Size	1.5"
Canister Height (to bottom of lip)	4.89"
Canister Height (to middle of lip)	5.02"
Open or Closed bottom?	Open bottom

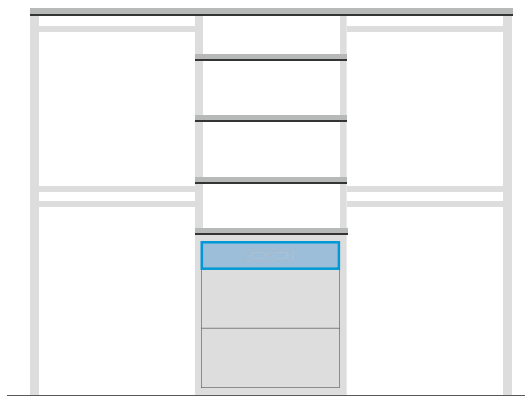


Pro Tip

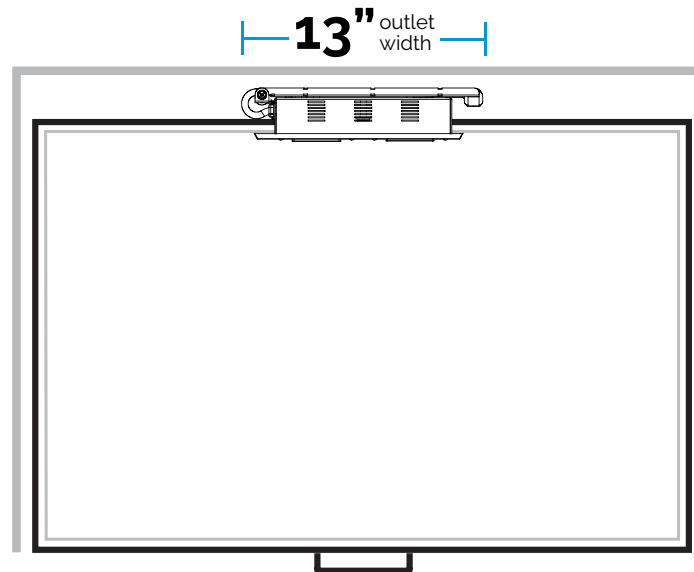
Download DXF, STEP and Solidworks files to import into your project planning software at dockingdrawer.com/downloads.

Closets Built In Project Planning Card

Docking Drawer Blade Series outlets can be specified into built in closet drawers to create a dedicated space to charge wearable technology and other everyday devices.



2" of space needed behind drawer box



Pro Tip

Think beyond cell phones! Charge headphones, flashlights, reflective safety lights, pet collars and more.

Install multiple Blade Series outlets to create drawers for different purposes such as technology drawers, sports drawers, pet drawers etc.

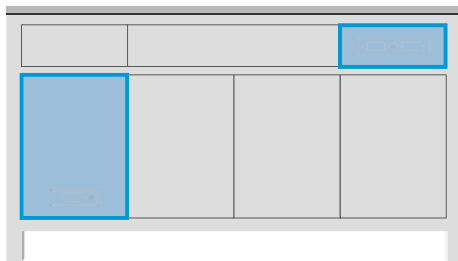
Specify a 1514-232 so your outlet has fast charging USB-C ports for your newer devices and USB-A for all of your other devices that come with USB-A cords.

For more installation examples, visit [dockingdrawer.com/project-cards](https://www.dockingdrawer.com/project-cards)

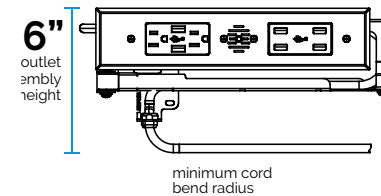
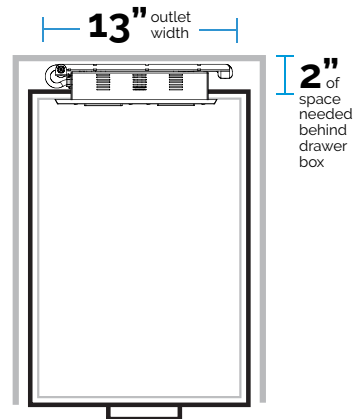
Most Popular Outlet:
1514-232

Offices Credenza

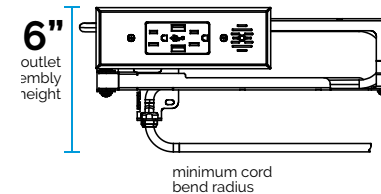
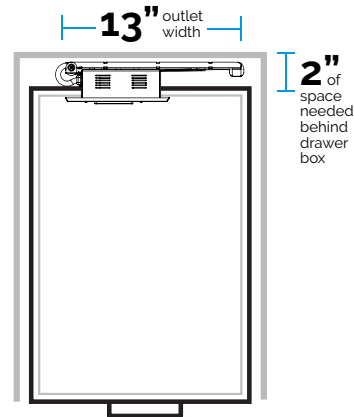
Docking Drawer Blade Series outlets can be specified into home office credenzas to create hidden charging stations and printer pull out drawers to keep accessories and equipment out of sight while still charged and at the ready.



Option 1
charging drawer



Option 2
printer pullout



Pro Tips

Every Blade Series outlet can power any device in your office, from tech devices, such as phones and tablets, to laser and inkjet printers.

The Blade Series cord can bend to the side to fit in constrained credenza drawer spaces.

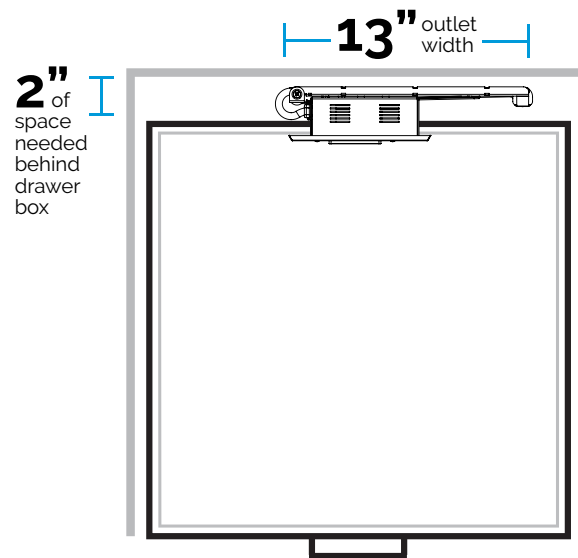
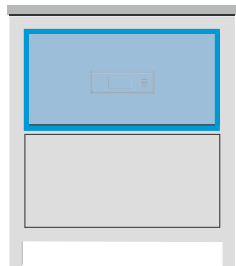
The illustration to the left demonstrates the minimum cord bend radius.

Blade Series outlet assembly height is 6" when the cord is bent to the side.

Most Popular Outlets:
1514-232 & 1514-160

Bedrooms Nightstand Project Planning Card

Docking Drawer Blade Series outlets can be specified into nightstand drawers to create hidden bedside charging stations and dedicated space to stow and power CPAP machines and other accessories.



Pro Tip

Blade Series cable management arms can be used to manage other low voltage cables such as networking and telephone cables. Make sure the cables are stranded and designed to be used in a movable location. Solid cables are not meant to be used in a movable location.

For more installation examples, visit dockingdrawer.com/project-cards

Most Popular Outlet:
1514-110



Specify by Part Number

36

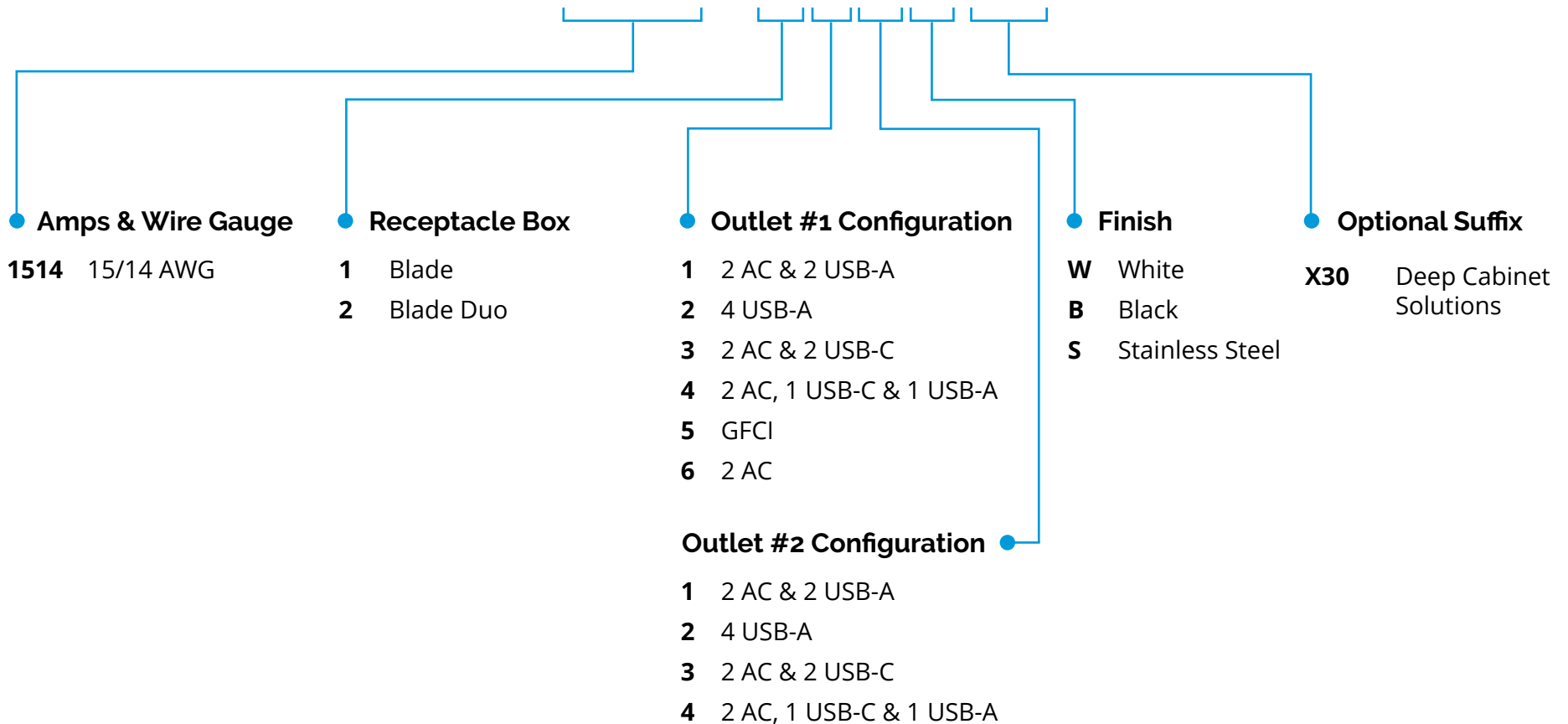
Part Numbers - 15 amp

37

Outlet Configuration Options - 15 amp

Part Numbers for 15 amp Blade Series Outlets

1514 - 2 3 2 B

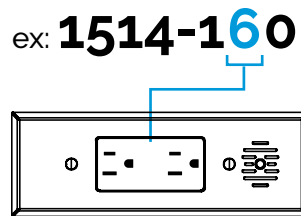
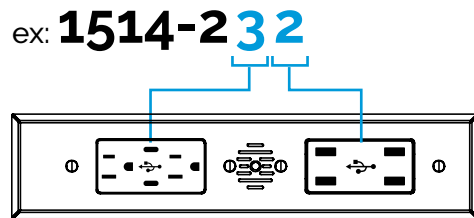


Example: 1514-110W = 15 amp Blade with 2 AC & 2 USB-A in white finish







Outlet Configuration Options for 15 amp Blade Series Outlets

In addition to our 4 top selling outlets, we offer a variety of additional options. Mix and match configurations to create the best solution to fit the needs of your project.

Select a Blade Duo or Blade



Then, Select Any Outlet

#	Outlet Configuration	Outlet Specifications
1	 2 AC & 2 USB-A	AC: 15 amps @ 120 VAC USB-A: 3.6 amps @ 5 VDC
2	 4 USB-A	4.2 amps @ 5 VDC
3	 2 AC & 2 USB-C	AC: 15 amps @ 120 VAC USB-C (single port connected to PD device): 3 amps @ 9 VDC (30W) USB-C (single port connected to non-PD device): 3 amps @ 5 VDC (15W) USB-C (both ports connected): 3 amps @ 5 VDC (30W total power)
4	 2 AC 1 USB-C & 1 USB-A	AC: 15 amps @ 120 VAC USB-C (non-PD device): 3 amps @ 5 VDC (15W) USB-A: 2.4 amps @ 5 VDC
5	 2 AC - GFCI	15 amps @ 120 VAC
6	 2 AC	15 amps @ 120 VAC

Part Numbers for 15 amp Blade Series Outlets (1514-2XX)

Download Tear Sheets to share project details with your team



BEST SELLER



Blade Duo 1514-232W

15 amp

- 1514-232W
- 1514-232B
- 1514-232S

2 AC, 2 USB-C (PD)
& 4 USB-A



Blade Duo 1514-212W

15 amp

- 1514-212W
- 1514-212B
- 1514-212S

2 AC & 6 USB-A



Blade Duo 1514-222W

15 amp

- 1514-222W
- 1514-222B
- 1514-222S

8 USB-A



Blade Duo 1514-266W

15 amp

- 1514-266W
- 1514-266B
- 1514-266S

4 AC



Blade Duo 1514-233W

15 amp

- 1514-233W
- 1514-233B
- 1514-233S

4 AC & 4 USB-C (PD)



Blade Duo 1514-211W

15 amp

- 1514-211W
- 1514-211B
- 1514-211S

4 AC & 4 USB-A



Blade Duo 1514-263W

15 amp

- 1514-263W
- 1514-263B
- 1514-263S

4 AC & 2 USB-C (PD)



Blade Duo 1514-261W

15 amp

- 1514-261W
- 1514-261B
- 1514-261S

4 AC & 2 USB-A

Part Numbers for 15 amp Blade Series Outlets (1514-1X0)

[Download Tear Sheets to share project details with your team](#)



**BEST
SELLER**



Blade 1514-110W

15 amp

- 1514-110W
- 1514-110B
- 1514-110S

2 AC & 2 USB-A



Blade 1514-130W

15 amp

- 1514-130W
- 1514-130B
- 1514-130S

2 AC & 2 USB-C (PD)



Blade 1514-120W

15 amp

- 1514-120W
- 1514-120B
- 1514-120S

4 USB-A



Blade 1514-160W

15 amp

- 1514-160W
- 1514-160B
- 1514-160S

2 AC



Blade 1514-150W

15 amp

- 1514-150W
- 1514-150B
- 1514-150S

2 AC - GFCI

Additional Outlet Options

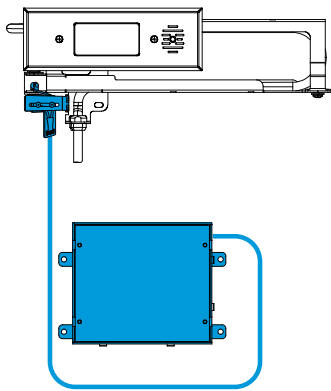
- 41 Safety Interlock Box
- 43 Deep Cabinet Outlets
- 44 20 amp Outlets



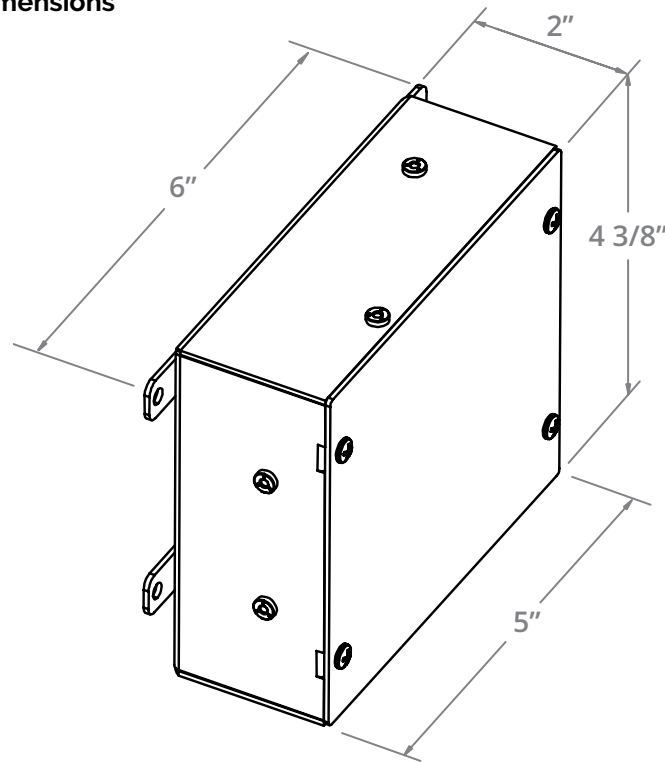
Safety Interlock Box

The Safety Interlock Box uses a limit switch to de-energize the outlet when the drawer starts to close and can be added to any 15 or 20 amp Blade Series outlet. The Safety Interlock Box is optional in the US and can be added as a second layer of safety for additional peace of mind. In Canada, the Safety Interlock Box satisfies the requirements of the Canadian Electrical Code (CEC) for AC outlets in enclosed spaces.

Safety Interlock Box



Box Dimensions



Pro Tip

Most often used in bathroom vanities, kitchen appliance garages and Canadian installations.

Safety Interlock Box can be hardwired to comply with the Canadian Electrical Code.

Need an Installation Manual?

Download now at dockingdrawer.com/downloads

Need Electrical Listings?

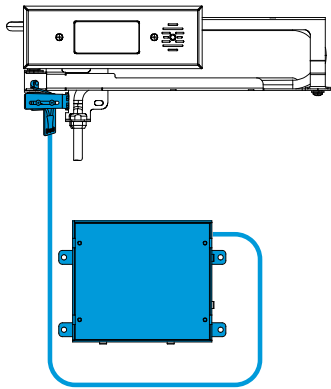
Download now at dockingdrawer.com/downloads



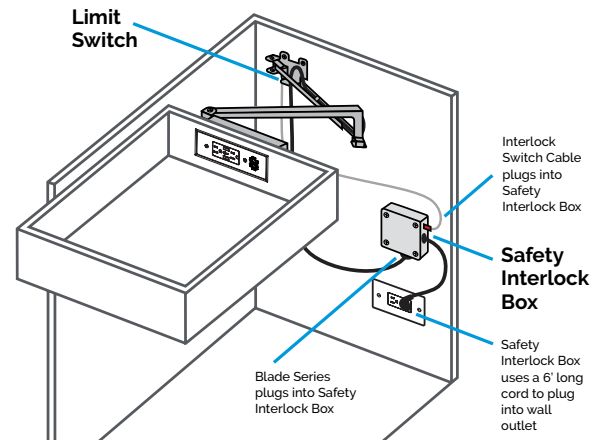
Safety Interlock Box Electrical Connection

The Safety Interlock Box uses a limit switch to de-energize the outlet when the drawer starts to close and can be added to any 15 or 20 amp Blade Series outlet. The Safety Interlock Box is optional in the US and can be added as a second layer of safety for additional peace of mind. In Canada, the Safety Interlock Box satisfies the requirements of the Canadian Electrical Code (CEC) for AC outlets in enclosed spaces.

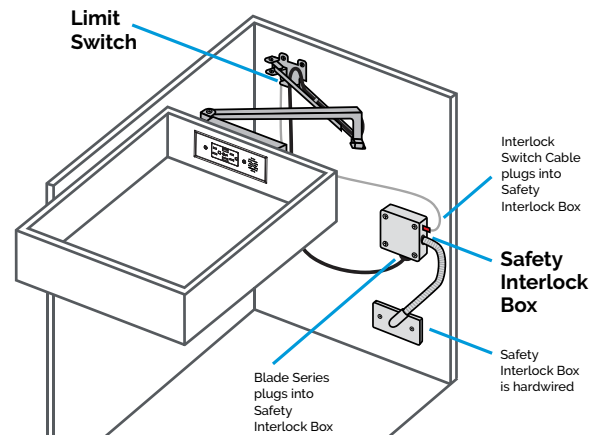
Safety Interlock Box



Option 1



Option 2



Pro Tip

Most often used in bathroom vanities, kitchen appliance garages and Canadian installations.

Safety Interlock Box can be hardwired to comply with the Canadian Electrical Code.

Need an Installation Manual?

Download now at dockingdrawer.com/downloads

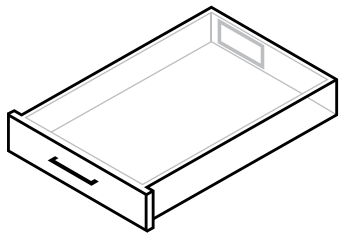
Need Electrical Listings?

Download now at dockingdrawer.com/downloads

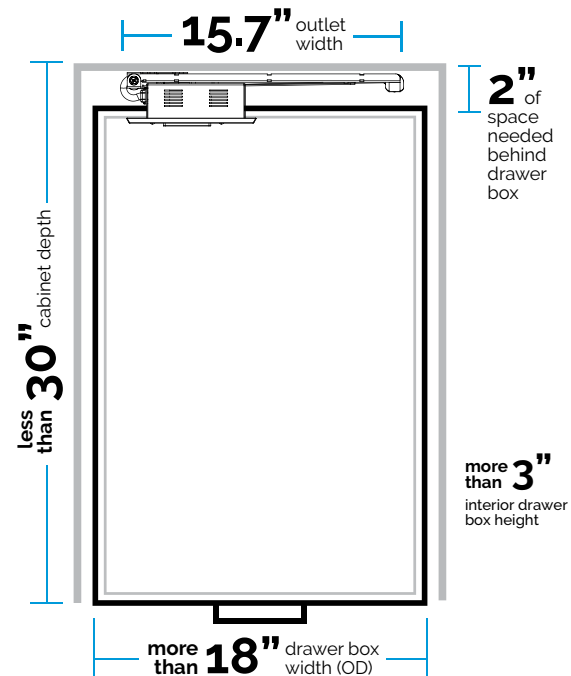
Deep Cabinet Outlets

Docking Drawer Blade Series Deep Cabinet outlets are perfect for kitchen islands and base cabinet depths between 24" and 30" deep. While the standard Blade Series outlets have a maximum cabinet depth of 24", Blade Series Deep Cabinet outlets have longer cable management arms for increased extension.

Deep Cabinet Outlets



Outlet Width	15.7"
Minimum Drawer Box Width (Outer Dimension)	18" or more
Minimum Interior Drawer Box Height	3" or more
Minimum Space Behind Drawer Box	2" or more
Maximum Base Cabinet Depth	30" or less



Pro Tip

Perfect for kitchen islands, printer drawers & for base cabinet depths between 24" & 30".

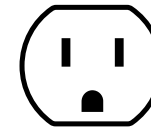
Download Mounting Diagrams →



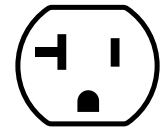
Most Popular Outlet:
1514-110-X30

15 amp & 20 amp How to Specify

15 amp Docking Drawer Blade Series outlets are our most popular configuration. They can be plugged into any outlet and will charge and power every type of device, including hair dryers, cell phones, and more. Need 20 amp solutions? We have you covered as each 15 amp outlet has a 20 amp equivalent.



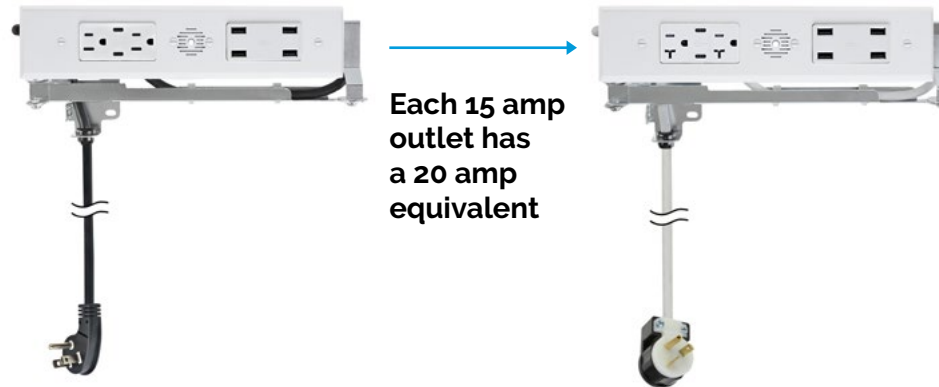
15 amp



20 amp

Variety of Configurations

Choose from 15 amp or 20 amp outlets.



Pro Tip

15 amp outlets will power any type of devices including hair dryers, printers, mixers and charge every type of device like cell phones, tablets, and laptops.

When in doubt whether to specify a Blade Series 15 amp or 20 amp outlet, specify a 15 amp.

15 amp plugs can be plugged into both a 15 amp and a 20 amp outlet, but a 20 amp plug can ONLY be plugged into a 20 amp outlet.

How do you know if your project requires a 15 amp or 20 amp outlet?

Ask Your Electrician

Your electrician can provide a definite answer on what will work for your project.

Look at the wall receptacle

If your wall receptacle looks like this, specify a 20 amp Blade Series.

20 amp outlets have a T-Shaped prong

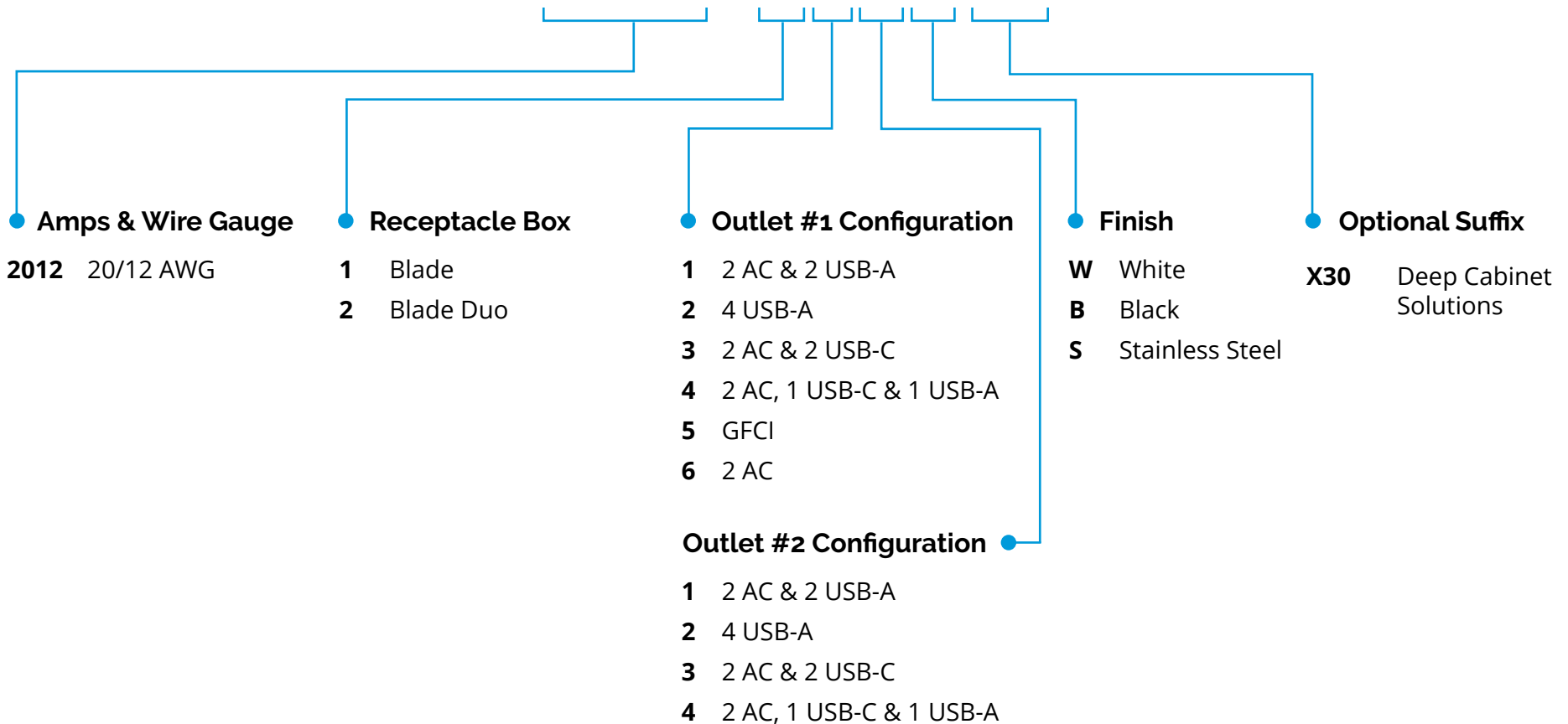


Not sure? Specify 15 amp

15 amp Blade Series outlets can function when plugged into 15 or 20 amp wall receptacles.

Part Numbers for 20 amp Blade Series Outlets

2012 - 232B



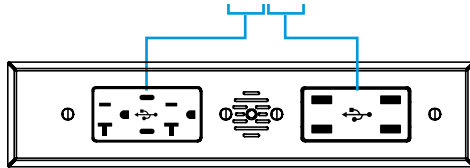
Example: 1514-110W = 15 amp Blade with 2 AC & 2 USB-A in white finish

Outlet Configuration Options for 20 amp Blade Series Outlets

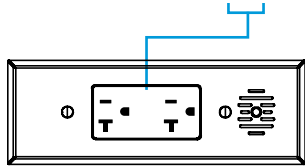
In addition to our 4 top selling outlets, we offer a variety of additional options. Mix and match configurations to create the best solution to fit the needs of your project.

Select a Blade Duo or Blade





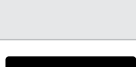

ex: **2012-232**



ex: **2012-160**



Then, Select Any Outlet


#	Outlet Configuration	Outlet Specifications
1	 2 AC & 2 USB-A	AC: 20 amps @ 120 VAC USB-A: 3.6 amps @ 5 VDC
2	 4 USB-A	4.2 amps @ 5 VDC
3	 2 AC & 2 USB-C	AC: 20 amps @ 120 VAC USB-C (single port connected to PD device): 3 amps @ 9 VDC (30W) USB-C (single port connected to non-PD device): 3 amps @ 5 VDC (15W) USB-C (both ports connected): 3 amps @ 5 VDC (30W total power)
4	 2 AC 1 USB-C & 1 USB-A	AC: 20 amps @ 120 VAC USB-C (non-PD device): 3 amps @ 5 VDC (15W) USB-A: 2.4 amps @ 5 VDC
5	 2 AC - GFCI	20 amps @ 120 VAC
6	 2 AC	20 amps @ 120 VAC

Part Numbers for 20 amp Blade Series Outlets (2012-2XX)

[Download Tear Sheets to share project details with your team](#)



BEST SELLER




**Blade Duo
2012-232W**

20 amp

- 2012-232W
- 2012-232B
- 2012-232S

2 AC, 2 USB-C (PD)
& 4 USB-A



**Blade Duo
2012-212W**

20 amp

- 2012-212W
- 2012-212B
- 2012-212S

2 AC & 6 USB-A



**Blade Duo
2012-266W**

20 amp

- 2012-266W
- 2012-266B
- 2012-266S

4 AC




**Blade Duo
2012-261W**

20 amp

- 2012-261W
- 2012-261B
- 2012-261S

4 AC & 2 USB-A




**Blade Duo
2012-211W**

20 amp

- 2012-211W
- 2012-211B
- 2012-211S

4 AC & 4 USB-A



**Blade Duo
2012-233W**

20 amp

- 2012-233W
- 2012-233B
- 2012-233S

4 AC & 4 USB-C (PD)

Part Numbers for 20 amp Blade Series Outlets (2012-1X0)

[Download Tear Sheets to share project details with your team](#)



BEST SELLER




**Blade
2012-160W**

20 amp

- 2012-160W
- 2012-160B
- 2012-160S

2 AC



**Blade
2012-150W**

20 amp

- 2012-150W
- 2012-150B
- 2012-150S

2 AC - GFCI



**Blade
2012-130W**

20 amp

- 2012-130W
- 2012-130B
- 2012-130S

2 AC & 2 USB-C (PD)



**Blade
2012-110W**

20 amp

- 2012-110W
- 2012-110B
- 2012-110S

2 AC & 2 USB-A



Planning Resources

- 50** | Tear Sheets
- 51** | DXF, STEP and Solidwork Files
- Mounting Diagrams
- 52** | Electrical Planning Guide
- 56** | Electrical Certifications



Planning Resources Tear Sheets

Docking Drawer provides all of the necessary resources to plan a Blade Series outlet installation. [Simply click this link to download now.](#)

Tear Sheets

Download PDF Tear Sheets to easily share product summaries with your team.



Pro Tip

Tear Sheets are available to download for every outlet at dockingdrawer.com/downloads

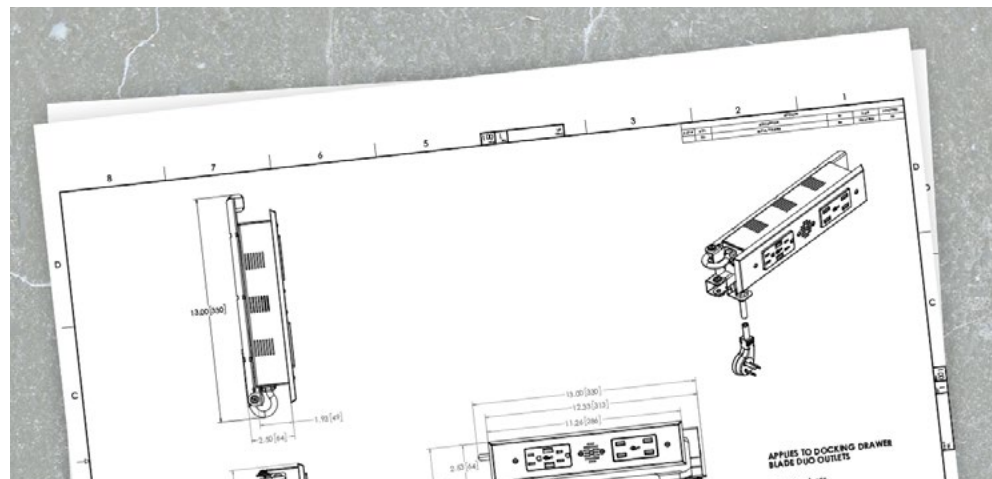
Planning Resources DXF and STEP Files & Mounting Diagrams

Docking Drawer provides all of the necessary resources to plan a Blade Series outlet installation.

[Simply click this link to download now.](#)

DXF, STEP and Solidwork Files

Download DXF (2D), STEP (3D), SLDDRW and SLDPRT (Solidwork) files to import into planning programs.

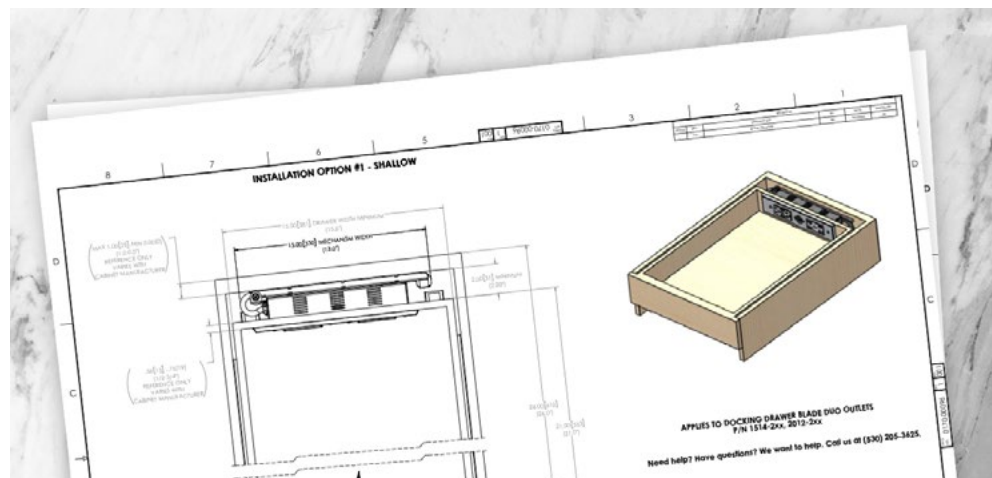


Pro Tip

DXF, STEP and Solidwork files are available to download at dockingdrawer.com/downloads

Mounting Diagrams

Detailed engineering diagrams showing cabinet specifications and how to mount the outlet into the cabinet.



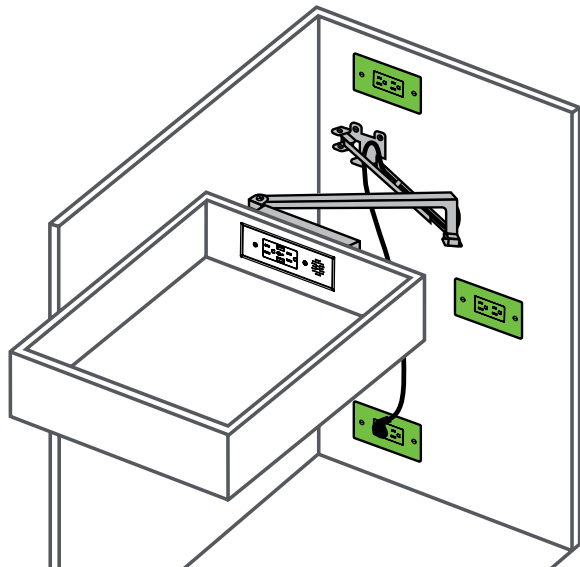
Pro Tip

Mounting Diagrams are available to download at dockingdrawer.com/downloads

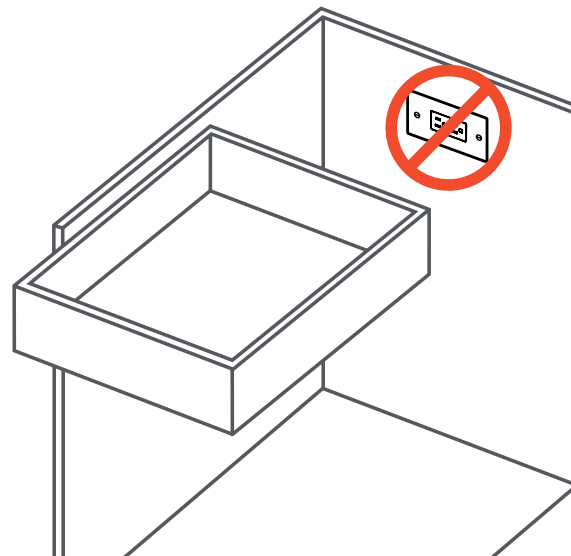
Electrical Planning Locating In-Cabinet Power

Locating in-cabinet power is simple. The in-cabinet outlet needs to be within 4.5 feet of the Blade Series 1514-XXX outlet rear mounting bracket and within 3 feet of the Blade Series 2012-XXX outlet rear mounting bracket.

Recommended Locations for the In-Cabinet Electrical Supply



Where NOT to Locate the In-Cabinet Electrical Supply



Need GFCI?

Simply plug any Blade Series outlet into a GFCI outlet or circuit to give the Docking Drawer Blade Series outlet GFCI properties.

Prefer the Docking Drawer Blade series outlet to include a GFCI outlet? Specify a 1514-150 or 2012-150.

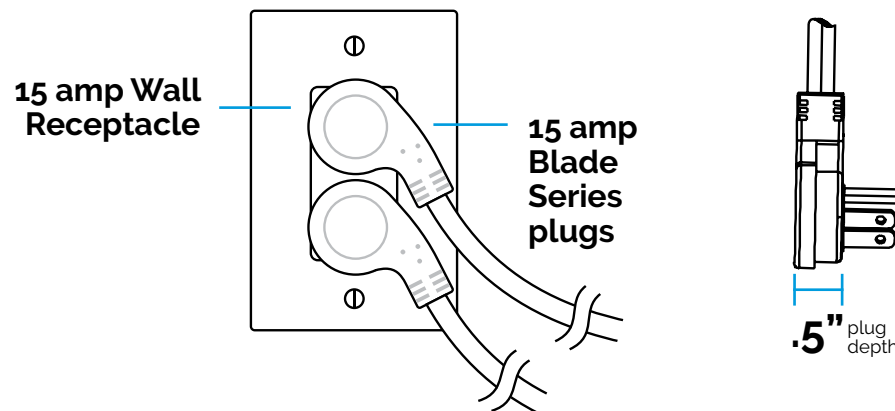
*Items marked in green are not included

Electrical Planning Connecting Blade Series Outlets to In-Cabinet Power

The 15 amp Blade Series outlet design ensures that customers can utilize the maximum number of wall receptacles without interference. The slim plug design uses minimal space behind the drawer and sits at a 45 degree angle so as to not block the other receptacle.

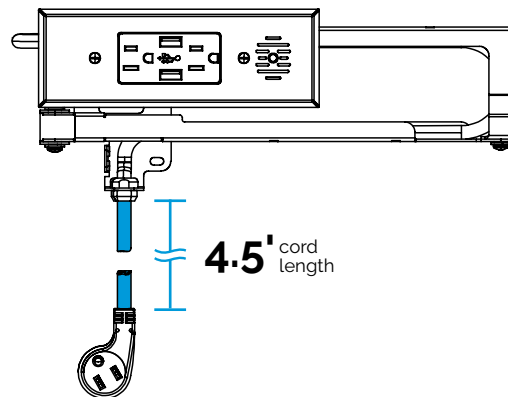
Blade Series Plug Design - 15 amp

Features a slim design to use minimal space behind the drawer box and ensures both wall receptacles can be utilized.



Cord Length - 15 amp

Blade Duo and Blade 1514-XXX in drawer outlets feature a 4.5' long cord.



Need Electrical Listings?

Download detailed electrical listing reports at dockingdrawer.com/downloads

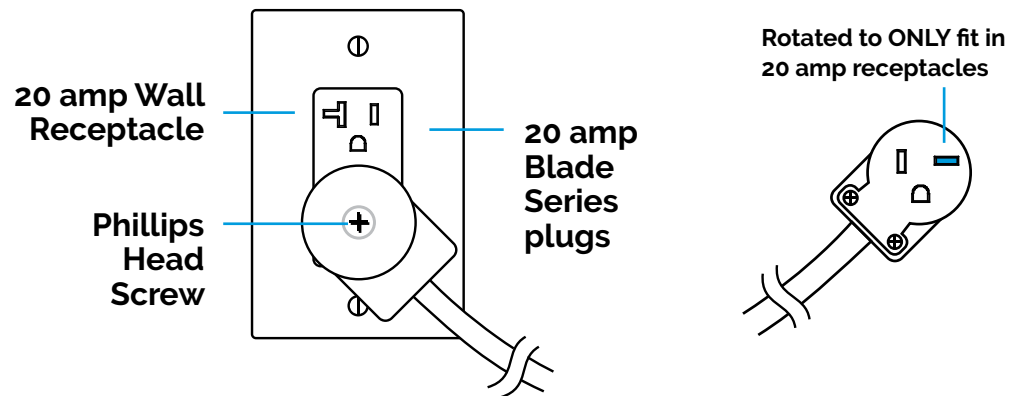
Most Popular Outlet:
1514-232

Electrical Planning Connecting Blade Series Outlets to In-Cabinet Power

The 20 amp Blade Series outlet design features a rotated prong that ONLY fits in 20 amp wall receptacles. 20 amp plugs can be rotated at a 45 or 90 degree angle for added flexibility.

Blade Series Plug Design - 20 amp

Features a rotated prong that ONLY fits in 20 amp receptacles.



Need Electrical Listings?

Download detailed electrical listing reports at dockingdrawer.com/downloads

Pro Tip

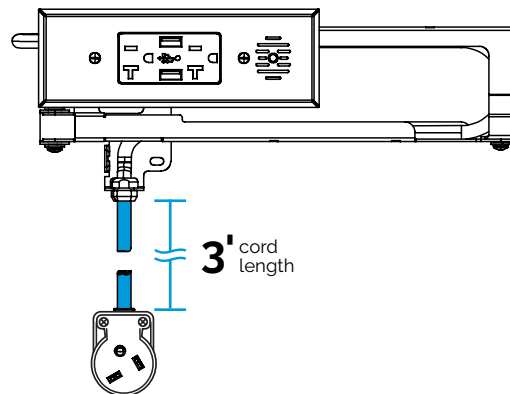
The 20 amp plug comes set at a 45 degree angle. Loosen the center screw and rotate the plug to set at a 90 degree angle.

Two 20 amp Blade Series plugs cannot fit into a wall receptacle at the same time.

Most Popular Outlet:
2012-160

Cord Length - 20 amp

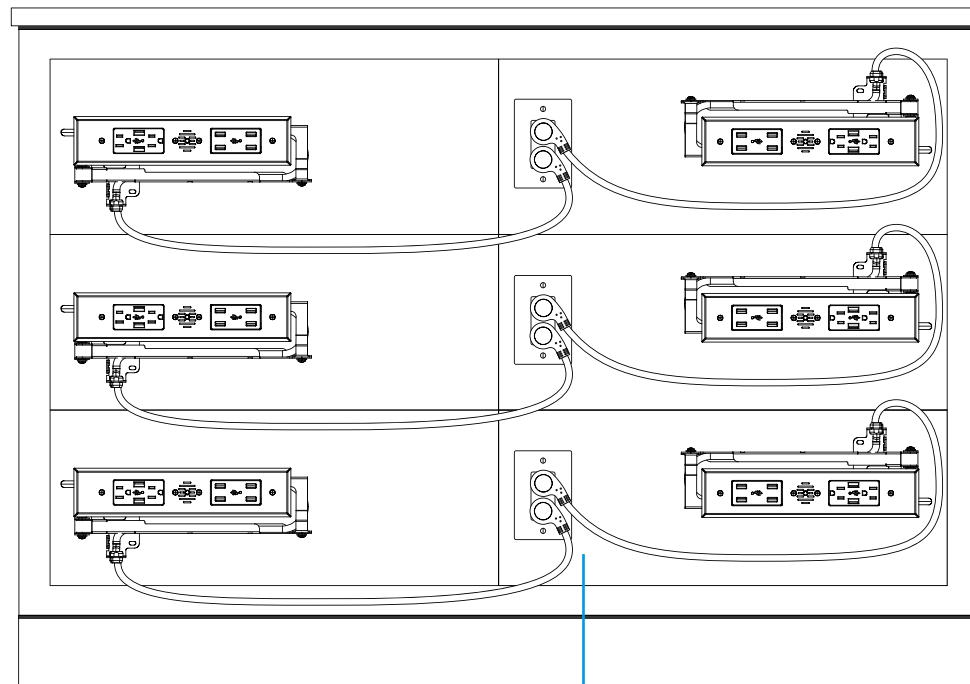
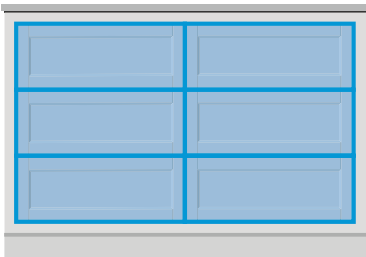
Blade Duo and Blade 2012-XXX in-drawer outlets feature a 3' long cord.



Electrical Planning for Multiple Blade Series Outlets in a Single Cabinet

Multiple Blade Series outlets can be installed into a single bank of cabinet drawers. Here are some tips on where to place the wall receptacles.

15 amp Multi Outlet Installation



Only applicable for
15 amp outlets

The smart design of Blade Series plugs allow the maximum number of receptacles to be used while taking up as little space as possible behind the drawer box. The power cord is ultra flexible for easy positioning and safety.

Most Popular Outlet:
1514-232

Planning Resources Electrical Certifications

Docking Drawer provides all of the necessary resources to plan a Blade Series outlet installation.

[Simply click this link to download now.](#)

Electrical Certifications

Download ETL and CSA Electrical Certifications to share with your electrician or inspector.



Pro Tip

Electrical Certifications are available for download at dockingdrawer.com/downloads

Installation Resources

58

Installation Manuals
Cutout Templates

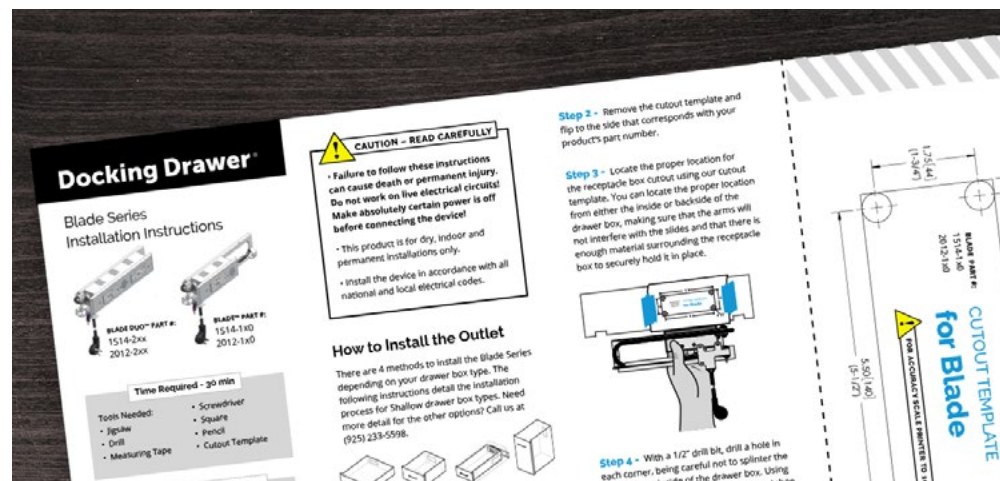


Installation Resources for Blade Series In-Drawer Outlets

Docking Drawer provides all of the resources you need for a smooth Blade Series in-drawer outlet installation. [Simply click this link to download now.](#)

Installation Manuals

Step by step instructions for installing Blade Series in-drawer outlets.

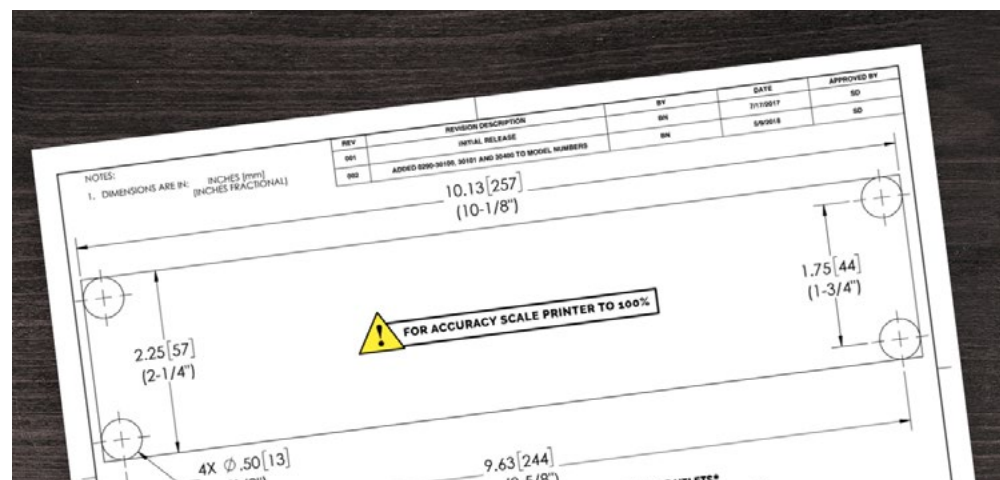


Pro Tip

Installation Manuals are available to download at dockingdrawer.com/downloads

Cutout Templates

Printable PDF templates to guide your receptacle box cutout placement.



Pro Tip

Cutout Templates are available to download at dockingdrawer.com/downloads

Ready to Order?

Buy directly from dockingdrawer.com or call your hardware/electrical distributor.

We're Here to Help

sales@dockingdrawer.com

Email us here for help with your sales questions, help with selecting the right outlet or to request any catalogs.

orders@dockingdrawer.com

Email us here with your purchase orders.

support@dockingdrawer.com

Email us here for help with your technical and project planning questions or with any other specification questions.

Docking Drawer®

